

INSTALLATION INSTRUCTIONS

PSB-2611 LCD DISPLAY MOUNTING BRACKET

Prior to assembly, unpack carton completely and verify contents.
If you are missing any of the following components, please contact Customer Service at 1-800/582-6480

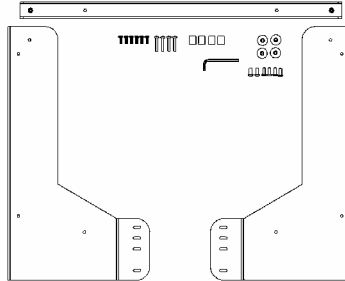


Figure 1

- (1) Right Side Bracket
- (1) Left Side Bracket
- (4) Mounting Button - Tapped
- (4) M4 x 25mm Philips Head Cap Screw
- (1) 1/8 Allen Key

- (1) Top Bracket
- (6) 10-24 x .5 Button Head Cap Screw
- (4) .500 x .257 x .625 Nylon Spacer
- (6) M4 x 12mm Philips Head Cap Screw

BEFORE PROCEEDING, READ INSTALLATION INSTRUCTIONS COMPLETELY

CAUTION! LCD DISPLAYS ARE EXTREMELY FRAGILE.

WARNING!

ALL COMPONENTS MUST BE SECURELY FASTENED TO A STRUCTURAL MEMBER CAPABLE OF SUPPORTING 4 TIMES THE COMBINED WEIGHT OF ALL COMPONENTS PLUS THE EQUIPMENT BEING MOUNTED. IF IT CANNOT SUPPORT THIS WEIGHT, THE STRUCTURE MUST BE REINFORCED. THE MAXIMUM WEIGHT TO BE INSTALLED ON THE MOUNT IS 175 POUNDS (79.38 KG).

1. Using a 10-24 button head cap screw inserted from back side of bracket, secure mounting button, with chamfered hole of mounting button (larger surface) facing bracket, to top bracket (two places) (see Figure 2).

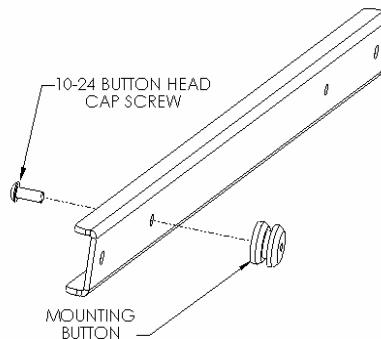


Figure 2



CHIEF MANUFACTURING INC.
1-800-582-6480 952-894-6280 FAX 952-894-6918
8401 EAGLE CREEK PKWY, STE. 700
SAVAGE, MINNESOTA 55378 USA

8804-000239 RevB
2004 Chief Manufacturing
www.chiefmfg.com
02/05

2. Using two 10-24 button head cap screws, attach top bracket to side brackets (see Figure 3).
3. Using a 10-24 button head cap screw inserted from back side of bracket, secure remaining two mounting buttons, with chamfered hole of mounting button facing bracket(see Figure 4)
4. Place Nylon spacers over mounting holes on back of screen. Attach mounting brackets to display using M4 screws (see Figures 5 & Figure 6).
5. With the aid of another person, lift your display up to the Chief Mount, aligning buttons of mounting brackets with slots in the Chief Mount.
6. Lower safety latch on the Chief Mount to secure your display, making sure latch is completely engaged.

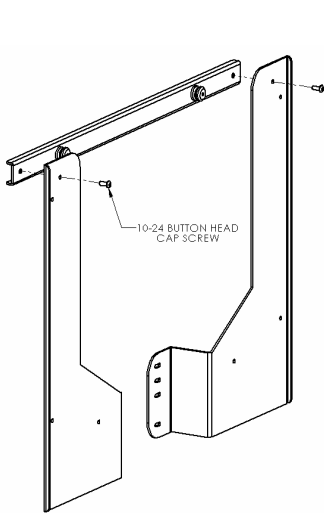


Figure 3

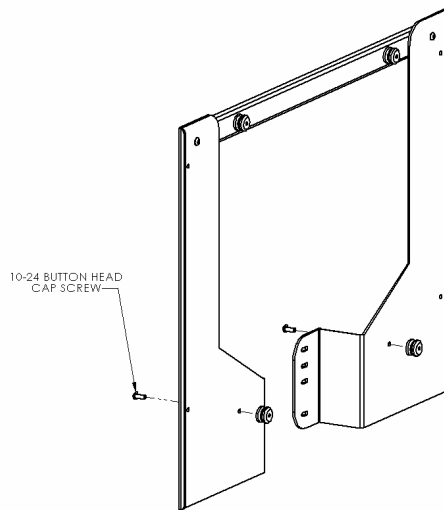


Figure 4

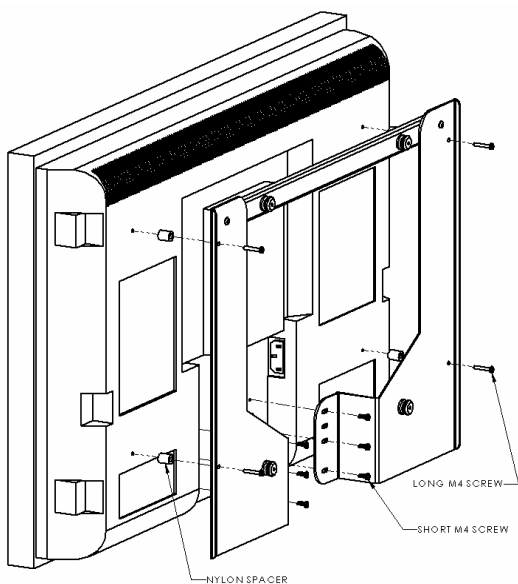


Figure 5

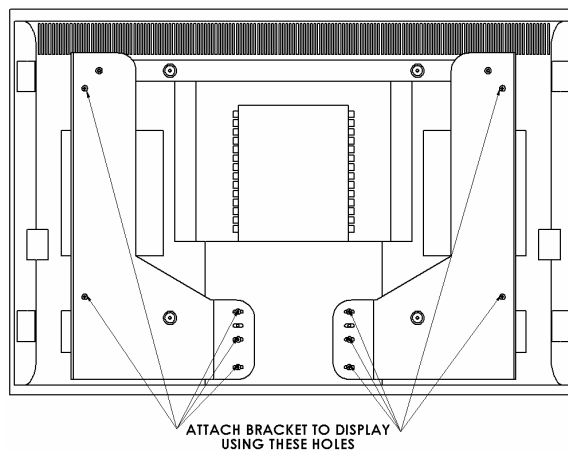


Figure 6