

INSTALLATION INSTRUCTIONS

PSB-2612 DISPLAY MOUNTING BRACKET

Prior to assembly, unpack carton completely and verify contents.

If you are missing any of the following components, please contact Customer Service at 1-800/582-6480

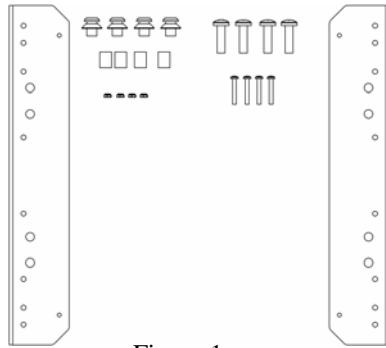


Figure 1

- (2) Interface Brackets
- (4) 10-24 Nylock nuts
- (4) Spacers

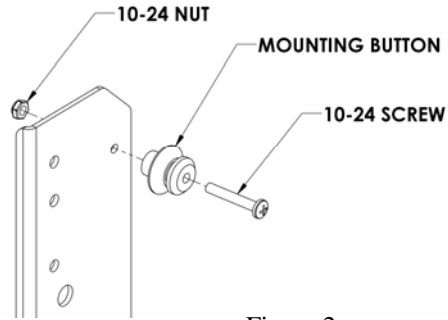


Figure 2

- (4) Mounting Buttons
- (4) M10-1.25 x 35 mm Hex Head Cap Screws
- (4) 10-24 Phillips head screws

BEFORE PROCEEDING, READ INSTALLATION INSTRUCTIONS COMPLETELY

CAUTION! DISPLAYS ARE EXTREMELY FRAGILE.

1. Using a 10-24 Phillips head screw and 10-24 Nylock nut, secure mounting button as shown in Fig.2 & 3.
2. Place Nylon spacers over mounting holes on back of screen. Attach mounting brackets to the display using the M10 screws (see Figure 4 & Figure 5).
3. With the aid of another person, lift your display up to the Chief Mount, aligning buttons of mounting brackets with slots in the Chief Mount.
4. Engage the safety latch on the Chief Mount to secure your display, making sure latch is completely engaged.

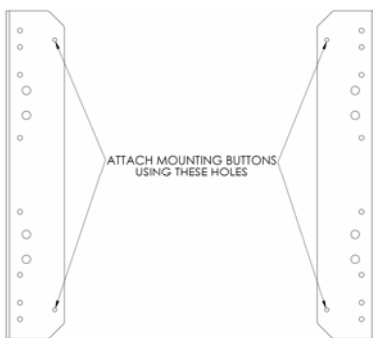


Figure 3

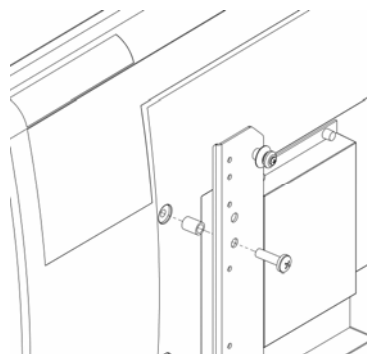


Figure 4

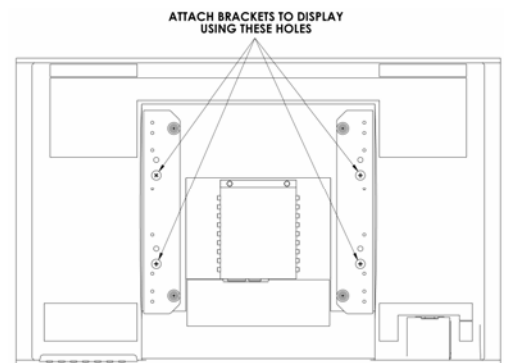


Figure 5



CHIEF MANUFACTURING INC.
1-800-582-6480 952-894-6280 FAX 952-894-6918
8401 EAGLE CREEK PKWY, STE. 700
SAVAGE, MINNESOTA 55378 USA

8804-000243 RevC
2004 Chief Manufacturing
www.chiefmfg.com
09/05