

INSTALLATION INSTRUCTIONS

PSB-2631

PLASMA/LCD DISPLAY MOUNTING BRACKET[®]

Prior to assembly, unpack carton completely and verify contents.

If you are missing any of the following components, please contact Customer Service at 1-800/582-6480

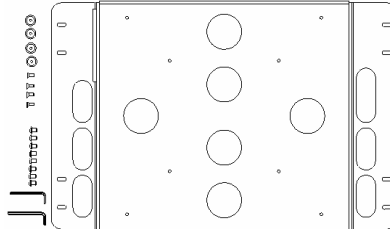


Figure 1

(1) Interface Bracket

(4) 10-24 X .5 Flat Head Cap Screws

(1) 1/8" Allen Key

(4) Mounting Buttons - Tapped

(8) 1/4-20 x .375" Button Head Cap Screw

(1) 5/32" Allen Key

BEFORE PROCEEDING, READ INSTALLATION INSTRUCTIONS COMPLETELY

CAUTION!

PLASMA/LCD DISPLAYS ARE EXTREMELY FRAGILE.

WARNING!

ALL COMPONENTS MUST BE SECURELY FASTENED TO A STRUCTURAL MEMBER CAPABLE OF SUPPORTING 4 TIMES THE COMBINED WEIGHT OF ALL COMPONENTS PLUS THE EQUIPMENT BEING MOUNTED. IF IT CANNOT SUPPORT THIS WEIGHT, THE STRUCTURE MUST BE REINFORCED.

THE MAXIMUM WEIGHT TO BE INSTALLED ON THE MOUNT IS 175 POUNDS (79.38 KG).

1. Using a 10-24 flat head cap screw inserted from back side of bracket, secure mounting button, with chamfered hole of mounting screw (larger surface) facing bracket, to bracket (four places) (see Figure 2 & Figure 3).

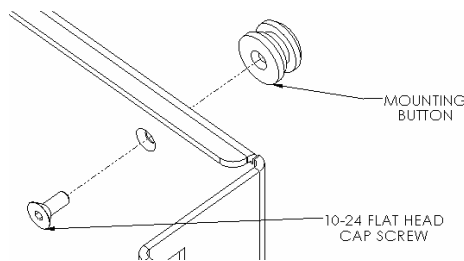


Figure 2

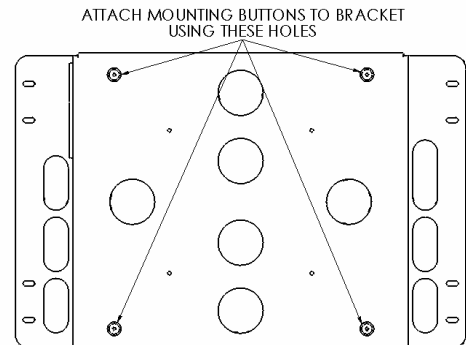


Figure 3

2. Attach mounting bracket to the display using the 1/4-20 screws (see Figure 4 & Figure 5).
3. With the aid of another person, lift your display up to the Chief Mount, aligning buttons of mounting brackets with slots in the Chief Mount.
4. Lower safety latch on the Chief Mount to secure your display, making sure latch is completely engaged.

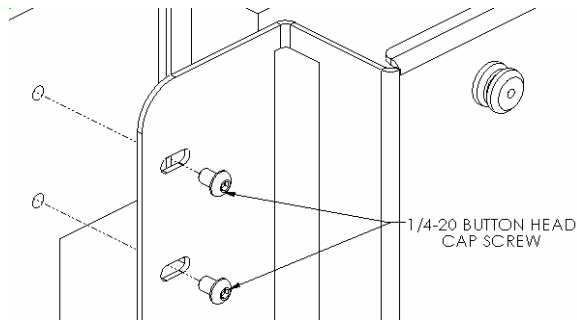


Figure 4

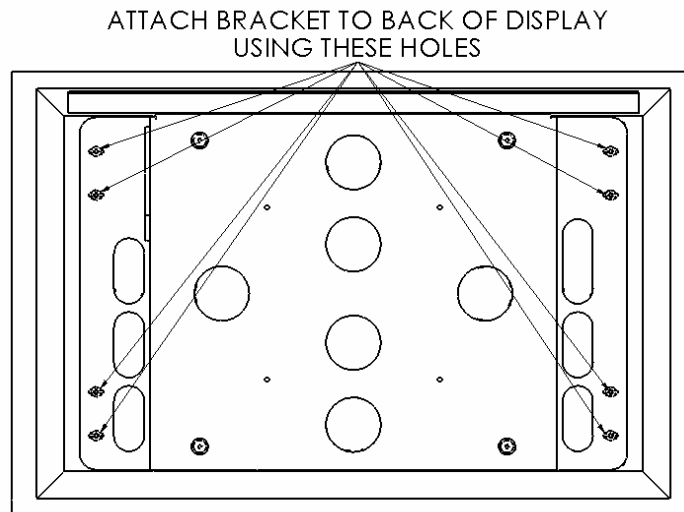


Figure 5