

---

# INSTALLATION INSTRUCTIONS

---

## PSB-91/D

### PLASMA DISPLAY MOUNTING BRACKET

Prior to assembly, unpack carton completely and verify contents.

If you are missing any of the following components, please contact Customer Service at 1-800/582-6480



Figure 1

- |                                       |  |
|---------------------------------------|--|
| (2) Plasma Bracket                    | (4) Mounting Buttons – Tapped            |
| (4) 10-24 x ½ Button Head Cap Screw   | (1) 1/8 Allen Key                        |
| (4) M5 x 20mm Phillips Head Cap Screw | (4) .875 OD x .33 ID x .375 Nylon Spacer |
| (4) M6 x 20mm Button Head Cap Screw   | (1) M4 Allen Key                         |

BEFORE PROCEEDING, READ INSTALLATION INSTRUCTIONS COMPLETELY

**CAUTION!** PLASMA DISPLAYS ARE EXTREMELY FRAGILE.

**WARNING!** ALL COMPONENTS MUST BE SECURELY FASTENED TO A STRUCTURAL MEMBER CAPABLE OF SUPPORTING 4 TIMES THE COMBINED WEIGHT OF ALL COMPONENTS PLUS THE EQUIPMENT BEING MOUNTED. IF IT CANNOT SUPPORT THIS WEIGHT, THE STRUCTURE MUST BE REINFORCED. THE MAXIMUM WEIGHT TO BE INSTALLED ON THE MOUNT IS 125 POUNDS (56.7 KG).

1. Using a 10-24 button head cap screw inserted from back side of bracket, secure mounting button, with chamfered hole of mounting button (larger surface) facing bracket, to bracket (four places) (see Figure 2 & Figure 3).

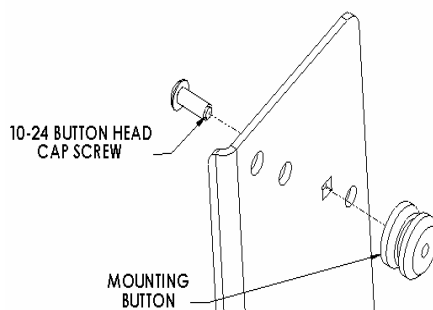


Figure 2

ATTACH MOUNTING BUTTONS  
USING THESE HOLES

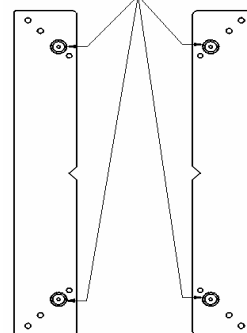


Figure 3

2. Place Nylon spacers over mounting holes on back of screen.
3. Attach mounting brackets to the display using the M5 screws for 32" screen or M6 for 42" and 50" screens (see Figure 4 & Figure 5).
4. With the aid of another person, lift your display up to the mount, aligning buttons of mounting brackets with slots in the mount.
5. Lower safety catch on the mount to secure your display, making sure latch is completely engaged.

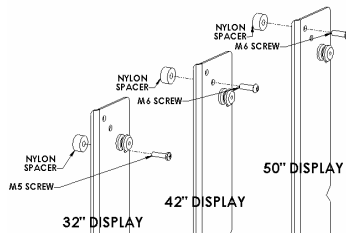


Figure 4

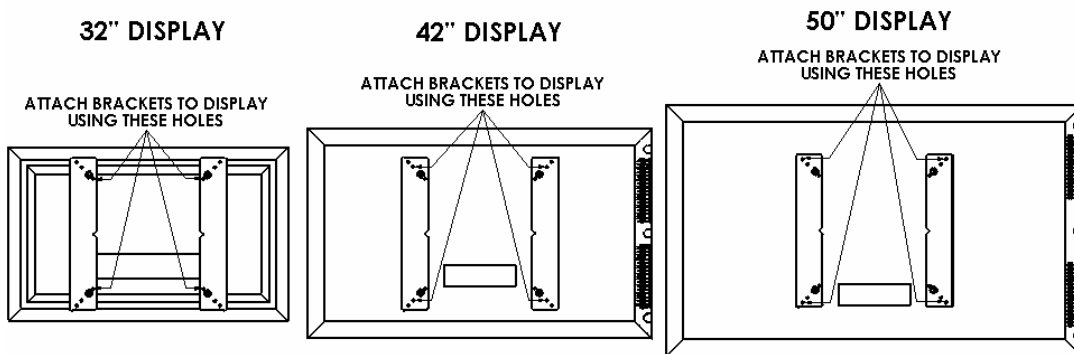


Figure 5