

INSTALLATION INSTRUCTIONS

PSBH-2070 DISPLAY MOUNTING BRACKET

Prior to assembly, unpack carton completely and verify contents.

If you are missing any of the following components, please contact Customer Service at 1-800/582-6480

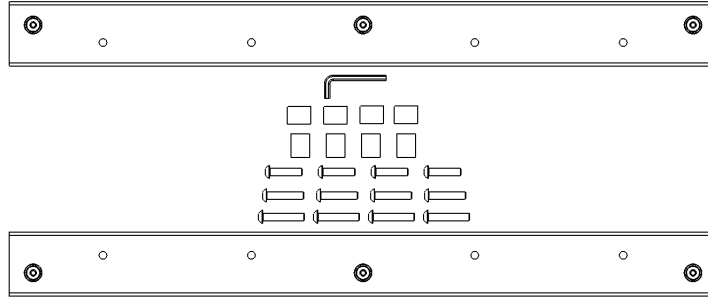


Figure 1

(2) Interface Brackets

(4) Nylon Spacer .74 OD X .39 ID X 1.00 L

(4) M8 x 40mm Button Head Cap Screws

(1) 5mm Allen Key

(4) Nylon Spacer 1.00 OD X.375 ID X.80 L

(4) M8 x 35mm Button Head Cap Screws

(4) M8 x 45mm Button Head Cap Screws

BEFORE PROCEEDING, READ INSTALLATION INSTRUCTIONS COMPLETELY

CAUTION! WARNING!

DISPLAYS ARE EXTREMELY FRAGILE.

ALL COMPONENTS MUST BE SECURELY FASTENED TO A STRUCTURAL MEMBER CAPABLE OF SUPPORTING 4 TIMES THE COMBINED WEIGHT OF ALL COMPONENTS PLUS THE EQUIPMENT BEING MOUNTED. IF IT CANNOT SUPPORT THIS WEIGHT, THE STRUCTURE MUST BE REINFORCED. THE MAXIMUM WEIGHT TO BE INSTALLED ON THE INTERFACE IS 300 POUNDS (136.07 KG).

1. Attach Interface Bracket to Display

Using the spacers and M8 button head screws attach the brackets to the back of the screen. Use the screws and washers of the length best fits your screen. Be careful not to over tighten the screws because this may cause damage to the display. The brackets should be attached so that the mounting buttons are toward the outside of the display. (See Figure 2 & Figure3).

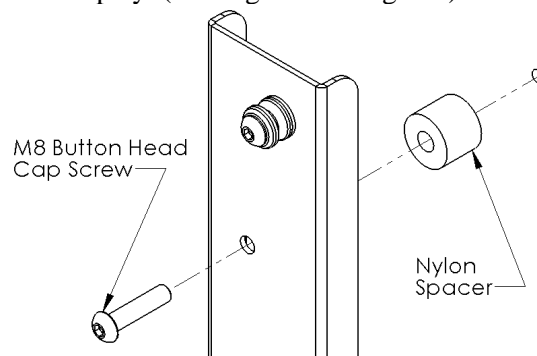


Figure 2

ATTACH INTERFACE TO BACK OF
DISPLAY USING THESE HOLES

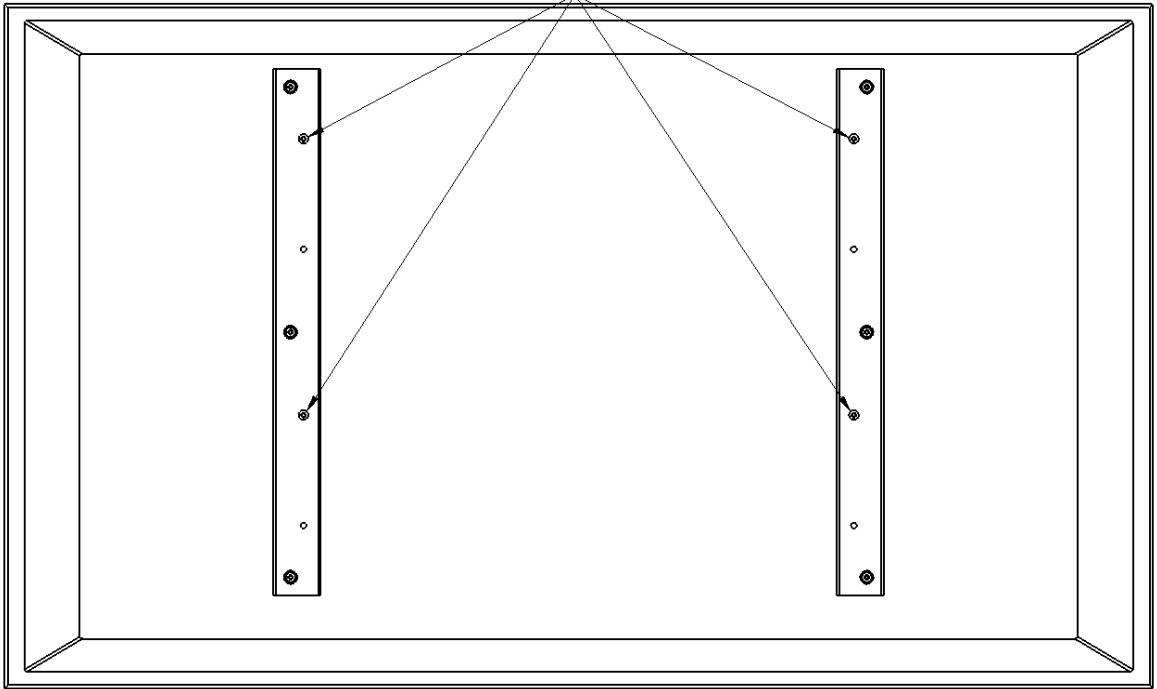
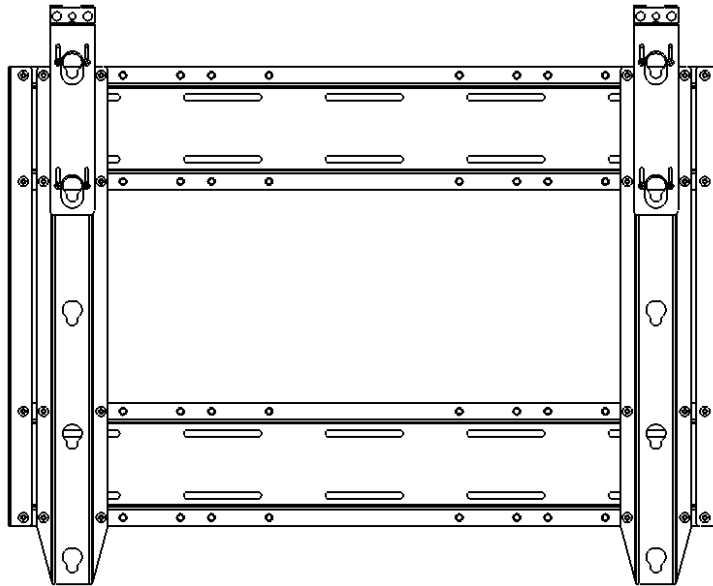


Figure 3

2. **Mounting Display:** The interface is designed to be used with the PSH-2000 mount. Configure the PSH to have the vertical brackets attached to the outside mounting position. (See Figure 4) Follow the mounting instructions on the PSH to finish the installation.



Attach static brackets of mount
using the outside mounting holes

Figure 4