

# INSTALLATION INSTRUCTIONS

## PSB-H2999

### (FOR USE WITH CHIEF PSH AND PPH HEAVY-DUTY WALL MOUNTS) DISPLAY MOUNTING BRACKET

Prior to assembly, unpack carton completely and verify contents.

If you are missing any of the following components, please contact Customer Service at 1-800/582-6480

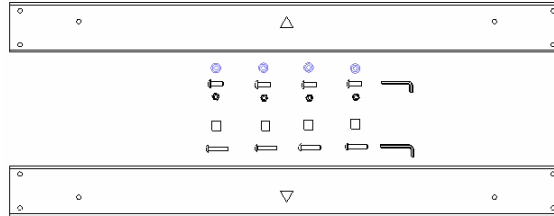


Figure 1

(2) Interface Bracket

(4) 5/16 – 18 x 1.0 Button Head Cap Screws

(6) M8 x 40 mm Button Head Cap Screw

(1) 3/16" Allen Key

(4) Mounting Buttons – Black Zinc

(4) 5/16 – 18 Nylock Nut

(6) 18mm x 8.3mm x 20mm Nylon Spacer - Black

(1) M5 Allen Key

BEFORE PROCEEDING, READ INSTALLATION INSTRUCTIONS COMPLETELY

## CAUTION!

DISPLAYS ARE EXTREMELY FRAGILE.

## WARNING!

ALL COMPONENTS MUST BE SECURELY FASTENED TO A STRUCTURAL MEMBER CAPABLE OF SUPPORTING 4 TIMES THE COMBINED WEIGHT OF ALL COMPONENTS PLUS THE EQUIPMENT BEING MOUNTED. IF IT CANNOT SUPPORT THIS WEIGHT, THE STRUCTURE MUST BE REINFORCED.

THE MAXIMUM WEIGHT TO BE INSTALLED ON THE MOUNT IS 200 POUNDS (90.72 KG).

1. Using a 5/16-18 button head cap screw inserted from back side of bracket and nylock nut, secure mounting button, with chamfered hole of mounting button (larger surface) facing bracket, to bracket (four places) (see Figure 2 & Figure 3). Make sure bends of interface bracket face away from buttons.

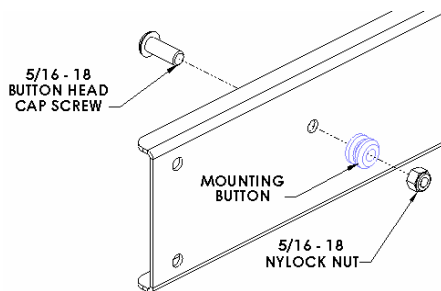


Figure 2

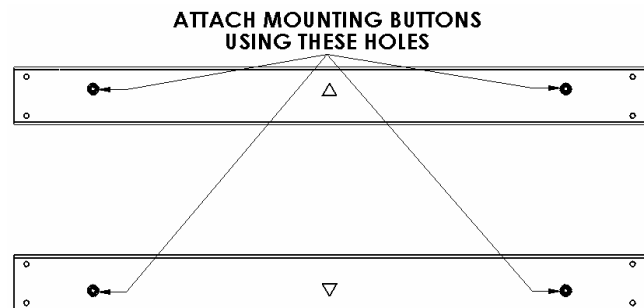


Figure 3



CHIEF MANUFACTURING INC.  
1-800-582-6480 952-894-6280 FAX 952-894-6918  
8401 EAGLE CREEK PKWY, STE. 700  
SAVAGE, MINNESOTA 55378 USA

8804-000346  
2007 Chief Manufacturing  
[www.chiefmfg.com](http://www.chiefmfg.com)

4/07

2. Place Nylon spacers over mounting holes on back of screen. Attach mounting brackets to the display using the M8 screws (see Figure 4 & Figure 5).
3. With the aid of another person, lift your display up to the Chief PPH Mount, aligning buttons of mounting brackets with slots in the Chief Mount.
4. Lower safety latch on the Chief Mount to secure your display, making sure latch is completely engaged.

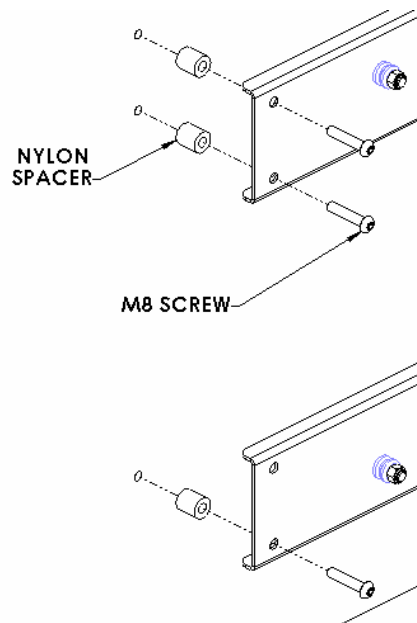


Figure 4

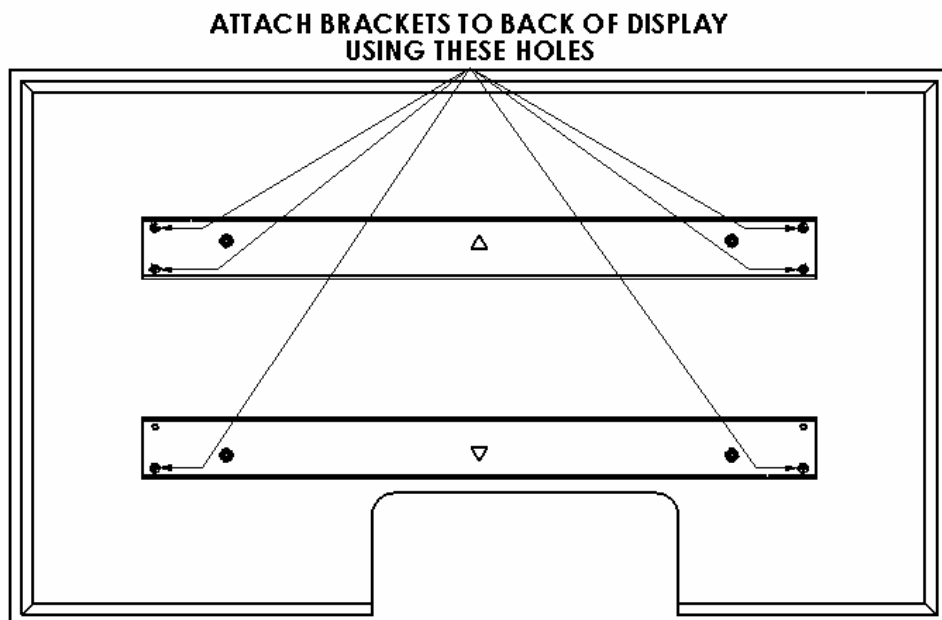


Figure 5