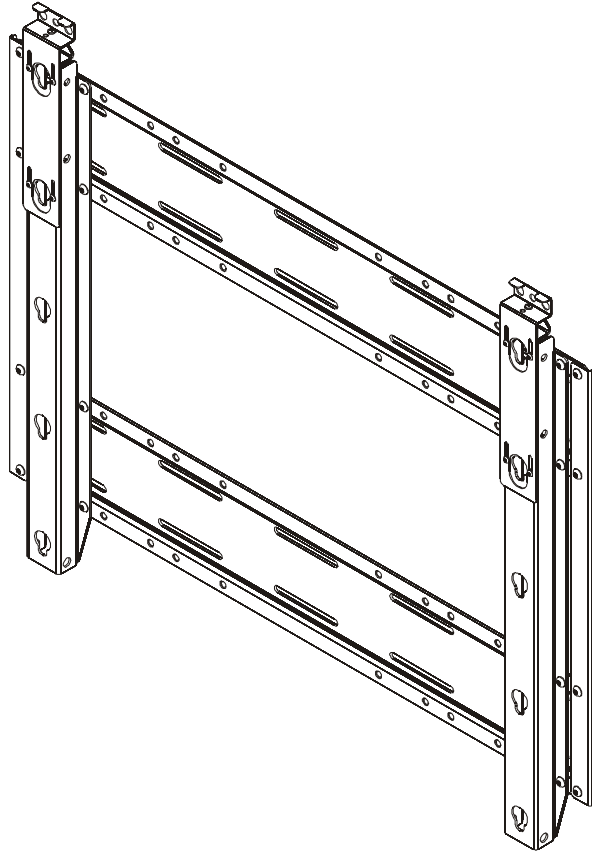


---

# INSTALLATION INSTRUCTIONS

---



---

## Heavy Duty Fixed Wall Mount

---

**DISCLAIMER**

Milestone AV Technologies and its affiliated corporations and subsidiaries (collectively "Milestone"), intend to make this manual accurate and complete. However, Milestone makes no claim that the information contained herein covers all details, conditions or variations, nor does it provide for every possible contingency in connection with the installation or use of this product. The information contained in this document is subject to change without notice or obligation of any kind. Milestone makes no representation of warranty, expressed or implied, regarding the information contained herein. Milestone assumes no responsibility for accuracy, completeness or sufficiency of the information contained in this document.

Chief® is a registered trademark of Milestone AV Technologies. All rights reserved.

**! IMPORTANT WARNINGS AND CAUTIONS!**

**! WARNING:** A WARNING alerts you to the possibility of serious injury or death if you do not follow the instructions.

**! CAUTION:** A CAUTION alerts you to the possibility of damage or destruction of equipment if you do not follow the corresponding instructions.

**! WARNING:** Failure to read, thoroughly understand, and

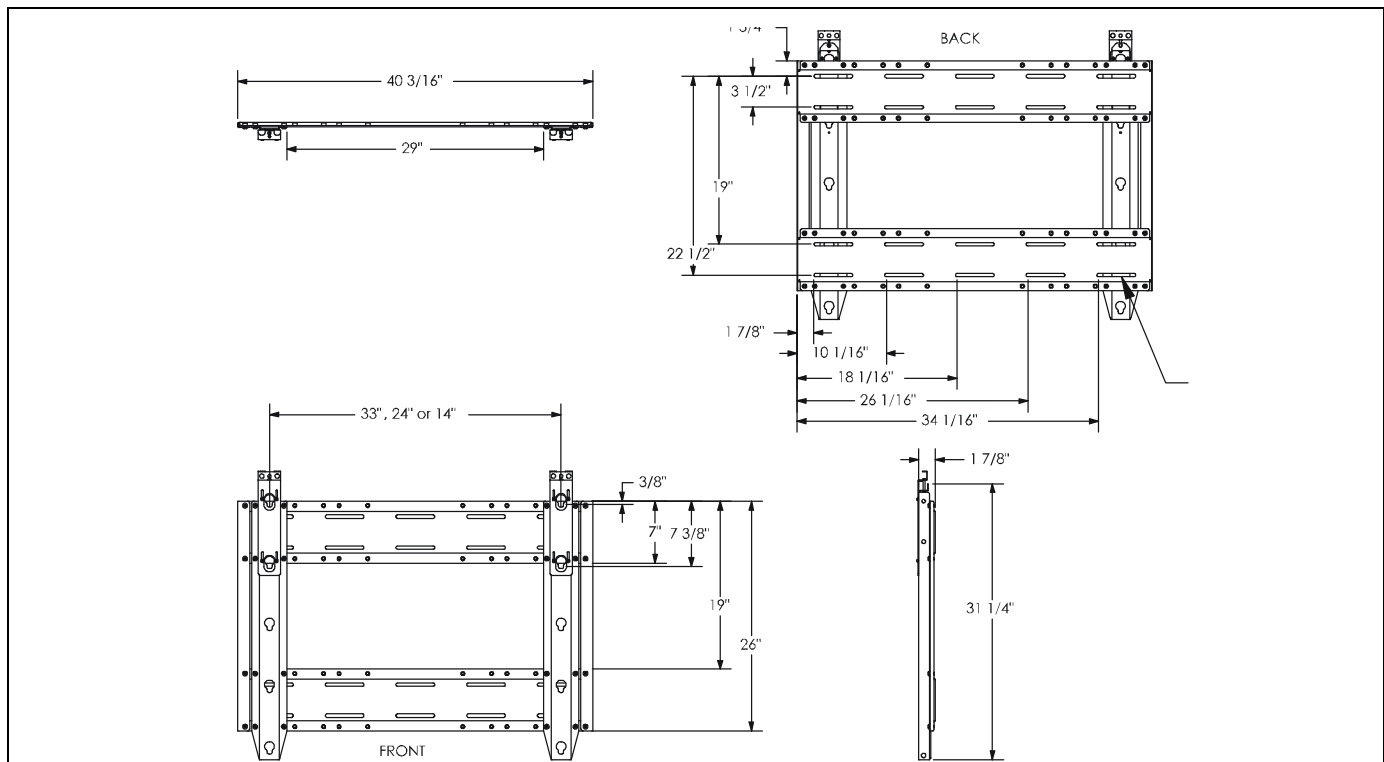
follow all instructions can result in serious personal injury, damage to equipment, or voiding of factory warranty! It is the installer's responsibility to make sure all components are properly assembled and installed using the instructions provided.

**! WARNING:** Failure to provide adequate structural strength for this component can result in serious personal injury or damage to equipment! It is the installer's responsibility to make sure the structure to which this component is attached can support five times the combined weight of all equipment. Reinforce the structure as required before installing the component. The wall to which the mount is being attached may have a maximum drywall thickness of 5/8" (1.6cm).



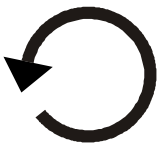









**! WARNING:** Exceeding the weight capacity can result in serious personal injury or damage to equipment! It is the installer's responsibility to make sure the combined weight of all components located between the PSH2000 up to (and including) the display does not exceed 300 lbs (137 kg). Use with products heavier than the maximum weight indicated may result in collapse of the mount and its accessories causing possible injury.

**! WARNING:** Make sure the latches securing the display are fully closed at all times except when removing or installing the display. The latches must be fully closed when installing or removing cables from the display.

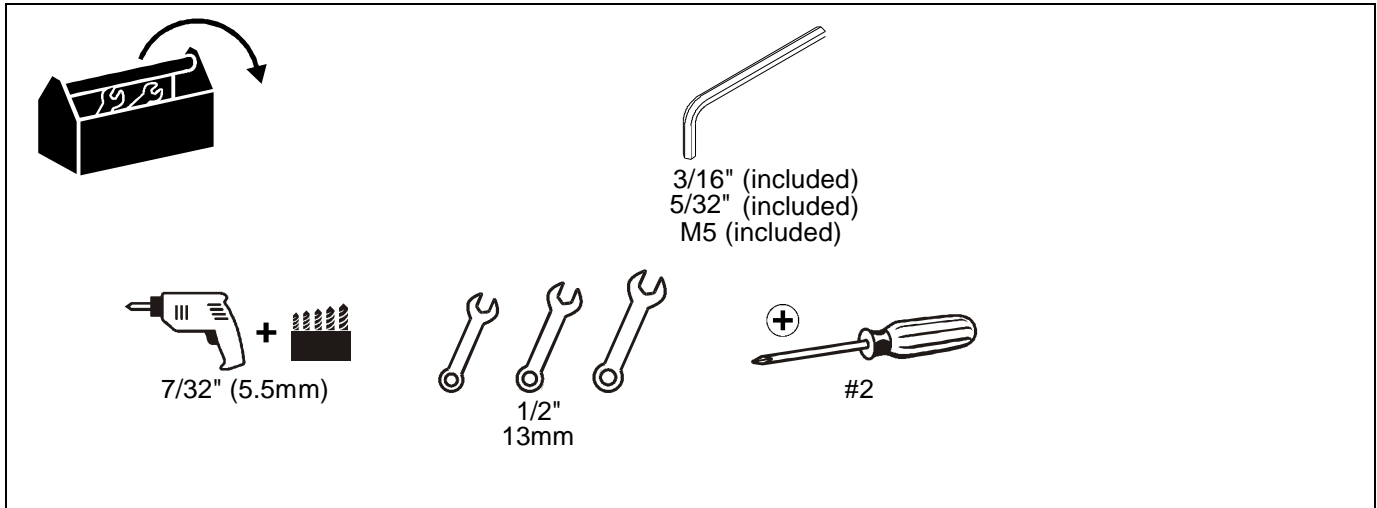
**DIMENSIONS**



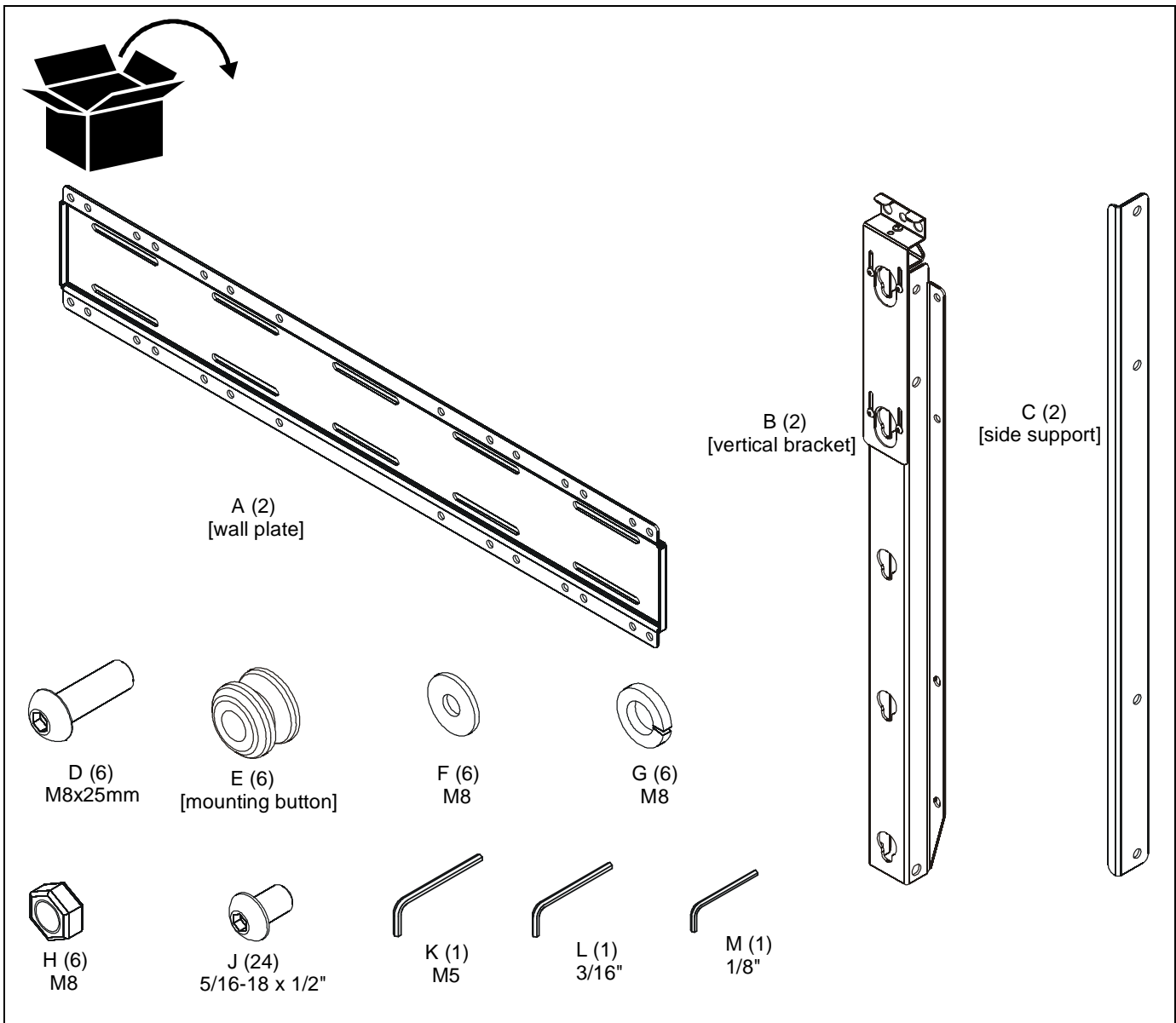
**LEGEND**

	<p><b>Tighten Fastener</b>                  Apretar elemento de fijación                  Befestigungsteil festziehen                  Apertar fixador                  Serrare il fissaggio                  Bevestiging vastdraaien                  Serrez les fixations</p>		<p><b>Pencil Mark</b>                  Marcar con lápiz                  Stiftmarkierung                  Marcar com lápis                  Segno a matita                  Potloodmerkten                  Marquage au crayon</p>
	<p><b>Loosen Fastener</b>                  Aflojar elemento de fijación                  Befestigungsteil lösen                  Desapertar fixador                  Allentare il fissaggio                  Bevestiging losdraaien                  Desserrez les fixations</p>		<p><b>Drill Hole</b>                  Perforar                  Bohrloch                  Fazer furo                  Praticare un foro                  Gat boren                  Percez un trou</p>
	<p><b>Phillips Screwdriver</b>                  Destornillador Phillips                  Kreuzschlitzschraubendreher                  Chave de fendas Phillips                  Cacciavite a stella                  Kruiskopschroevendraaier                  Tournevis à pointe cruciforme</p>		<p><b>Adjust</b>                  Ajustar                  Einstellen                  Ajustar                  Regolare                  Afstellen                  Ajuster</p>
	<p><b>Open-Ended Wrench</b>                  Llave de boca                  Gabelschlüssel                  Chave de bocas                  Chiave a punte aperte                  Steeksleutel                  Clé à fourche</p>		<p><b>Remove</b>                  Quitar                  Entfernen                  Remover                  Rimuovere                  Verwijderen                  Retirez</p>
	<p><b>By Hand</b>                  A mano                  Von Hand                  Com a mão                  A mano                  Met de hand                  À la main</p>		<p><b>Optional</b>                  Opcional                  Optional                  Opcional                  Opzionale                  Optie                  En option</p>
	<p><b>Hex-Head Wrench</b>                  Llave de cabeza hexagonal                  Sechskantschlüssel                  Chave de cabeça sextavada                  Chiave esagonale                  Zeskantsleutel                  Clé à tête hexagonale</p>		<p><b>Security Wrench</b>                  Llave de seguridad                  Sicherheitsschlüssel                  Chave de segurança                  Chiave di sicurezza                  Veiligheidssleutel                  Clé de sécurité</p>

### TOOLS REQUIRED FOR INSTALLATION



### PARTS



## Assembly And Installation

### ASSEMBLY AND INSTALLATION

**NOTE:** Read the Warnings and Cautions on page 2.

#### INSTALL MOUNTING BUTTONS

Installation of the mounting buttons is dependent on your specific display. Three options are provided:

- Akira 84" and Orion 84" displays
- Modular 84" displays
- Other large flat panel displays

#### AKIRA 84" AND ORION 84" DISPLAYS

1. Using M5 hex key (K), insert M8x25mm button head cap screw (D) through mounting button (E) and install into threaded mounting hole on back of display (See Figure 1). Tighten securely.
2. Repeat for remaining five buttons.

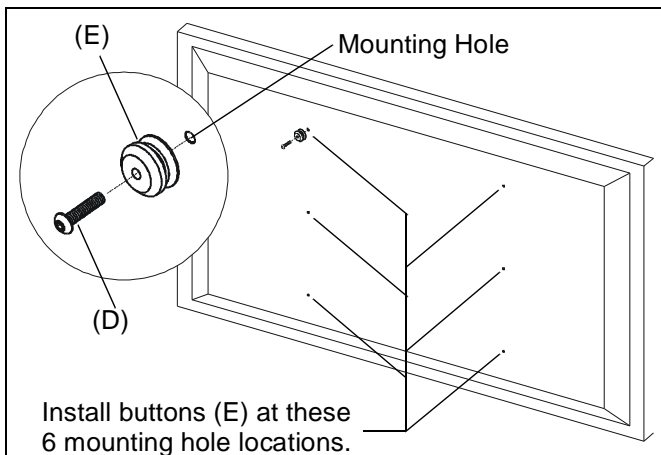


Figure 1

#### MODULAR 84" DISPLAYS

**NOTE:** Modular displays are four independent displays attached together within a single frame. The assembly performs as a single display.

1. Insert M8x25mm button head cap screw (D) through mounting button (E) and frame on back of modular display (See Figure 2)(See Figure 3). Using M5 hex key (K) and 13mm wrench, install M8 washer (F), M8 lock washer (G), and M8 nut (H). Tighten securely.
2. Repeat for remaining five buttons.

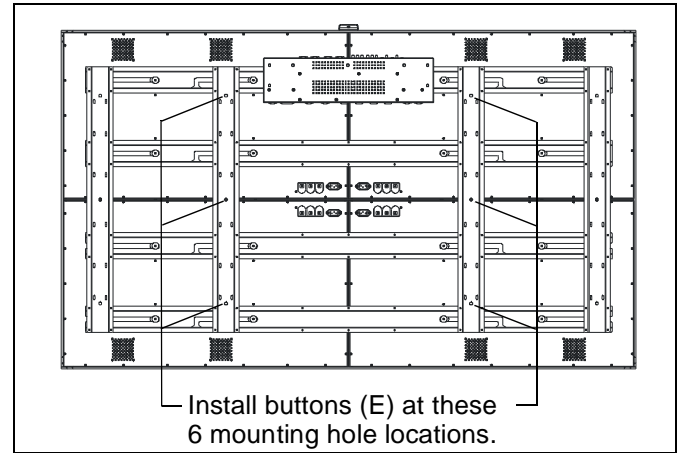


Figure 2

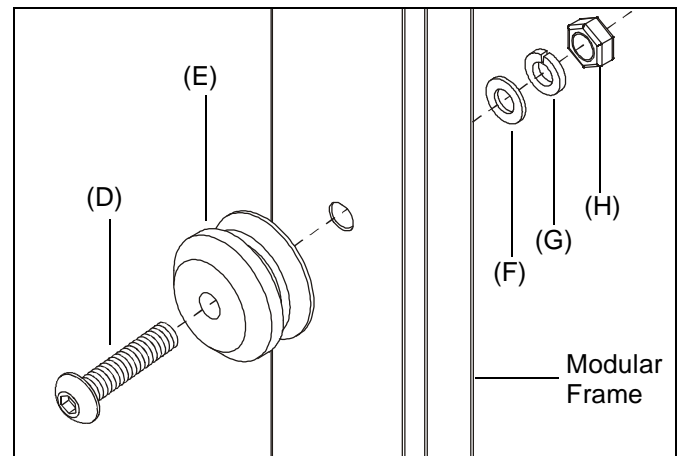


Figure 3

#### OTHER LARGE FLAT PANEL DISPLAYS

1. Install the optional interface bracket to display according to the instructions provided with the interface bracket.

**NOTE:** Mounting buttons are pre-installed on optional interface bracket. PSH-2000 items (D) through (H), and key (K)(See Figure 1), will not be used with optional interface bracket.

## ASSEMBLE SIDE SUPPORTS

- Using 3/16" hex key (L), loosely install side support (C) to wall plate (A) with 5/16-18 x 1/2" button head cap screws (J) (See Figure 4). Ensure lip of support (C) covers edge of plate (A).
- Repeat for other 3 corners.
- Once all screws (J) are installed, tighten securely.

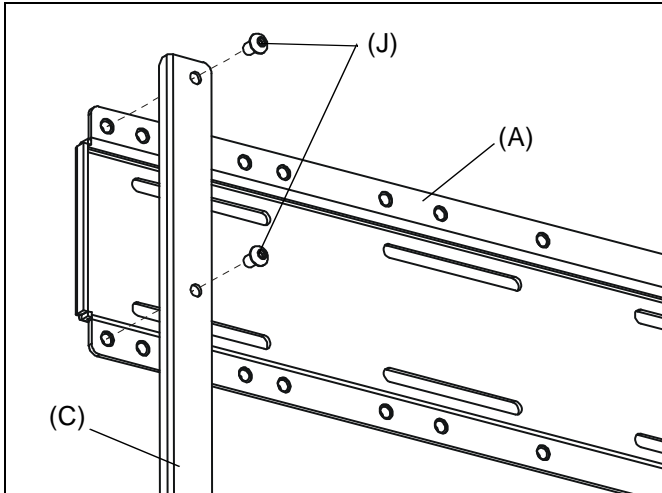


Figure 4

## INSTALL MOUNT TO WALL

- Determine approximate mounting location, keeping in mind the display size.



**WARNING:** The mount must be installed on two or three wood studs (or other equivalent vertical or horizontal supporting framework). Do not mount to single wood studs. Failure to properly install unit can result in serious personal injury or damage to equipment!

- Use a stud sensor to locate applicable wood studs. Mark locations with a pencil.
- Level mount at desired height per one of the configurations below:

**NOTE:** Either configuration below provides  $\pm 2"$  of lateral shift.

- 16" on center studs: The mount is approximately centered between two or three studs as shown. (See Figure 5)
  - 24" on center studs: The mount is offset to the left or right of center between two studs as shown. (See Figure 6)
- Using mount as a template, mark the location of the pilot holes. Ensure the following:
    - Marks are in the center of wood studs.
    - 8 pilot holes are marked (one in each slot).

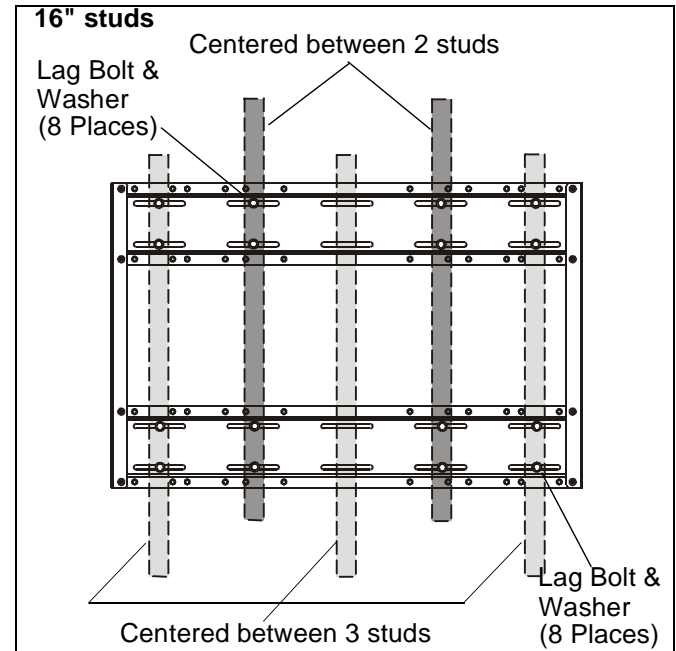


Figure 5

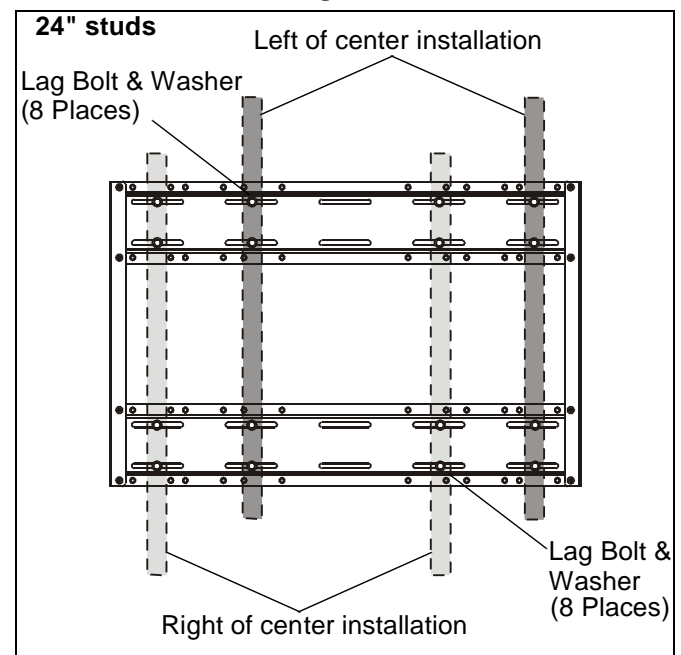


Figure 6

**NOTE:** For 16" on center, 3 stud installation: Lag bolts and washers on center stud are optional.

- Drill pilot holes using a 7/32" drill bit. Ensure pilot holes are straight.
- Using 1/2" wrench, install eight 5/16" x 2 1/2" lag bolts and eight 5/16" washers through mounting holes and into pilot holes. Tighten all lag bolts.

**NOTE:** Lag bolts and washers are not supplied.

**INSTALL STATIC BRACKETS**

**AKIRA 84", ORION 84", AND MODULAR 84" DISPLAYS**

1. Using 3/16" hex key (L), loosely install vertical brackets (B) to wall plates (A) with 5/16-18 x 1/2" button head cap screws (J) (See Figure 7). Ensure the following:
  - Brackets (B) are installed to outside set of mounting holes, closest to supports (C).
  - Brackets (B) are installed so that latches are towards top of mount.
2. Tighten all 16 screws (J) securely.

2. Using 3/16" hex key (L), loosely install vertical brackets (B) to wall plates (A) with 5/16-18 x 1/2" screws (J) according to dimension noted in previous step. Ensure that brackets (B) are installed so that the latches are towards the top of the mount.
  - 14" horizontal dimension: Install brackets (B) to inside set of mounting holes, closest to center of mount. (See Figure 9)
  - 24" horizontal dimension: Install brackets (B) to middle set of mounting holes. (See Figure 10)
  - 33" horizontal dimension: Install brackets (B) to outside set of mounting holes, closest to supports (C). (See Figure 7)
3. Tighten all 16 screws (J) securely.

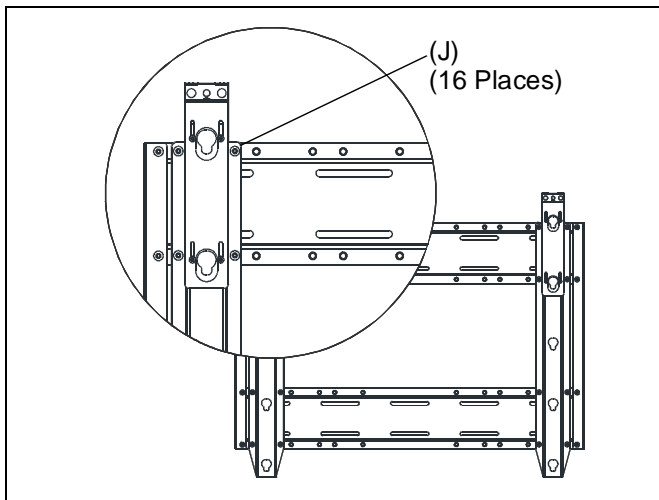


Figure 7

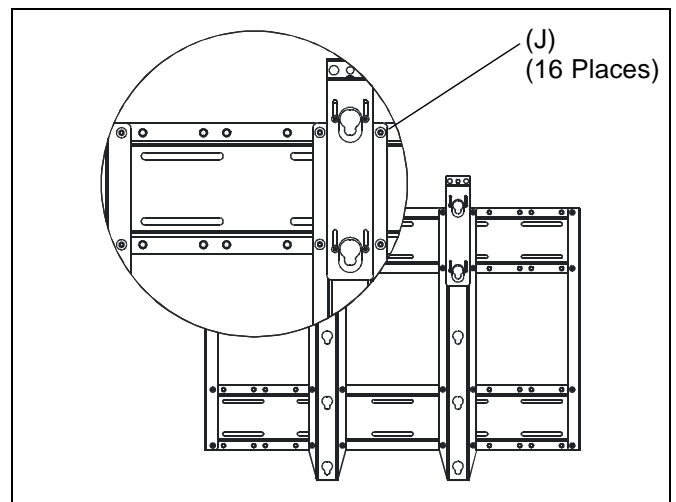


Figure 9

**OTHER LARGE FLAT PANEL DISPLAYS**

1. Determine *horizontal* dimension between mounting buttons on back of display (or interface bracket, if required). (See Figure 8)

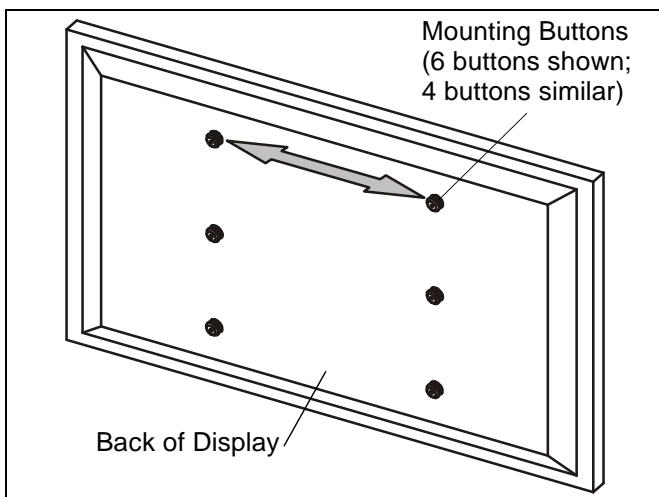


Figure 8

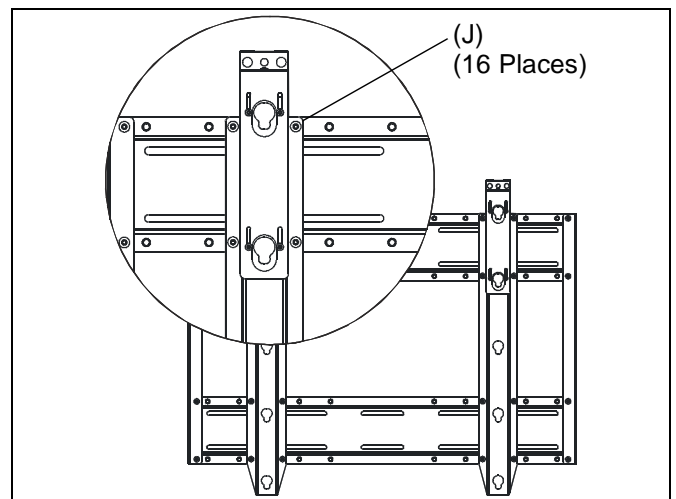


Figure 10

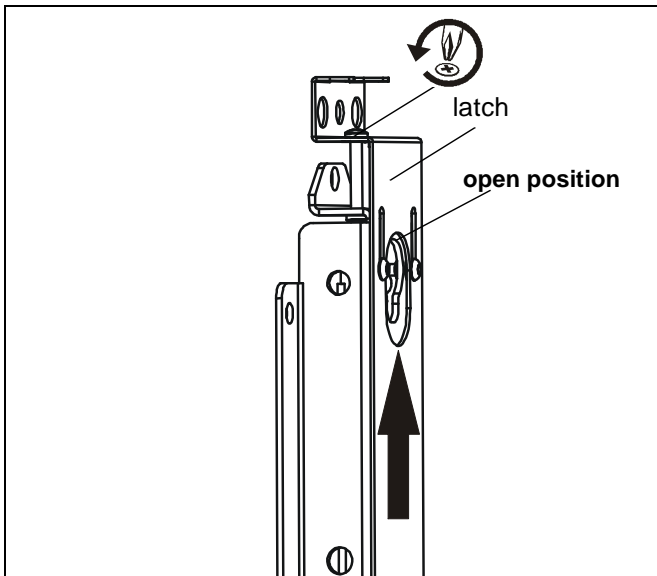
**INSTALL DISPLAY**

**WARNING:** Exceeding the weight capacity can result in serious personal injury or damage to equipment! It is the installer's responsibility to make sure the combined weight of all components located between the PSH2000 up to (and including) the display does not exceed 300 lbs (137 kg). Use with products heavier than the maximum weight indicated may result in collapse of the mount and its accessories causing possible injury.

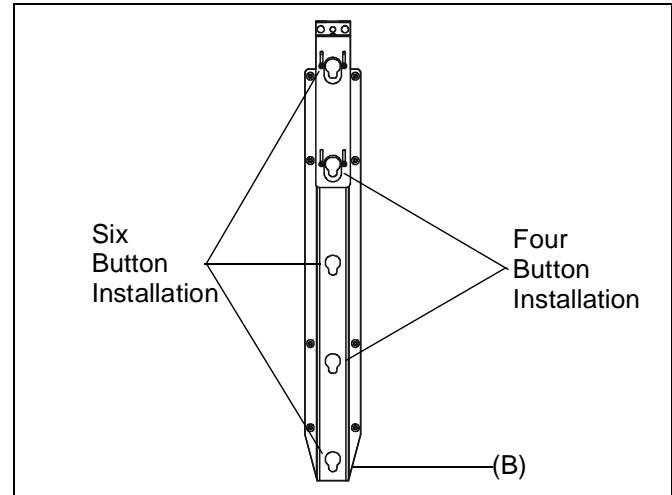


**WARNING:** Display is very heavy! Ensure display can be safely lifted and maneuvered as required to install on mount. Failure to take adequate precautions can result in serious personal injury or damage to equipment!

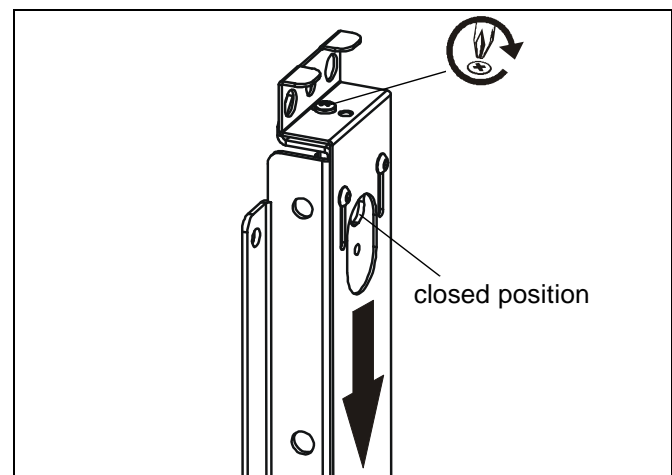
1. Ensure latches are in fully open (raised) positions by loosening Phillips screw on top of latch. (See Figure 11)

**Figure 11**

2. Note button openings to be used on each bracket (B) when installing display. (See Figure 12)

**Figure 12**

3. Lift and maneuver display such that all mounting buttons (E) fit into button openings on brackets (B). Lower display firmly into place. Ensure each button (E) has fully seated in its button opening.
4. Using Phillips screwdriver, tighten Phillips screw until latch slides into closed position. (See Figure 13)

**Figure 13**

5. Repeat for second latch.
6. Connect cables to display as required.

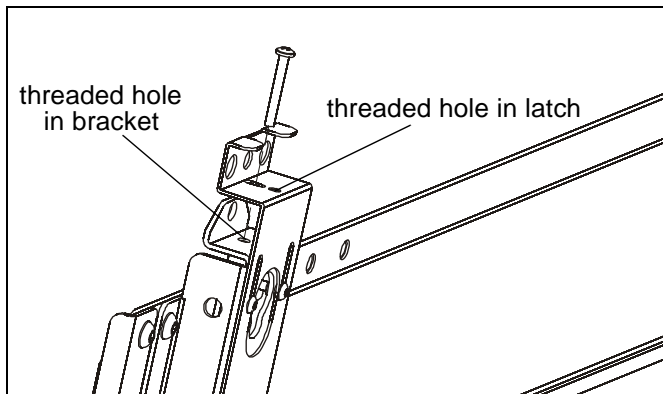


## REMOVE DISPLAY



**WARNING:** Display is very heavy! Ensure display can be safely lifted and maneuvered as required to remove from mount. Failure to take adequate precautions can result in serious personal injury or damage to equipment!

1. Disconnect all cables from display.
2. Using Phillips screwdriver, fully remove top Phillips screw from threaded hole in bracket (B). (See Figure 14)



**Figure 14**

3. Re-install screw into threaded hole in *latch*. Turn screw until latch slides into fully open position.
4. Repeat for second latch.
5. Lift and maneuver display mounting buttons (E) out of button openings.







Our Mounts. **Your Vision.**

Chief Manufacturing, a products division  
of Milestone AV Technologies

8805-002017 Rev 00  
©2011 Milestone AV Technologies, a  
Duchossois Group Company  
[www.chiefmfg.com](http://www.chiefmfg.com)  
03/11

<b>USA/International</b>	<b>A</b> 8401 Eagle Creek Parkway, Savage, MN 55378 <b>P</b> 800.582.6480 / 952.894.6280 <b>F</b> 877.894.6918 / 952.894.6918
<b>Europe</b>	<b>A</b> Fellenoord 130 5611 ZB EINDHOVEN, The Netherlands <b>P</b> +31 (0)40 2668620 <b>F</b> +31 (0)40 2668615
<b>Asia Pacific</b>	<b>A</b> Office No. 1 on 12/F, Shatin Galleria 18-24 Shan Mei Street Fotan, Shatin, Hong Kong <b>P</b> 852 2145 4099 <b>F</b> 852 2145 4477

