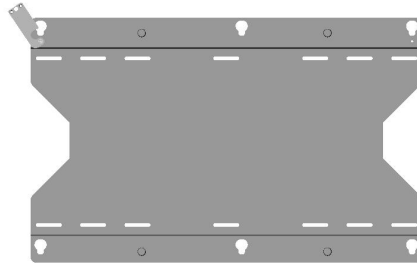




INSTALLATION INSTRUCTIONS
PSM-2043
PLASMA DISPLAY STATIC MOUNT



- (1) Plasma Static Mount
- (1) Latching Flag
- (1) Nylon Washer
- (6) Mounting Buttons-Black Unthreaded

Figure 1

- (1) 10-24 x .5 FH Undercut Screw
- (1) 10-24 Nylock Nut
- (1) M5 Allen Wrench
- (6) M8 x 20mm Button Head Cap Screws
- (6) M8 X 30mm Button Head Cap Screws

BEFORE PROCEEDING: Unpack the carton, verify contents shown in Figure 1 and read installation instructions completely. If you are missing any of the listed components, please contact Customer Service at 1-800/582-6480.

1. Attach latching flag (see Figure 2) and tighten screw until friction will hold the latch in place.

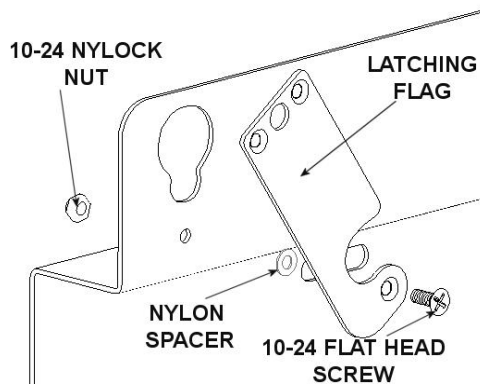


Figure 2

⚠️ WARNING! POSSIBILITY OF ELECTRICAL SHOCK! A screw that is too long can extend into the display housing contacting internal components causing electrical shock or damage to the display. ALWAYS determine the appropriate screw length before installing mounting buttons.

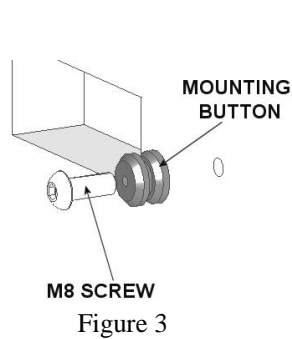


Figure 3

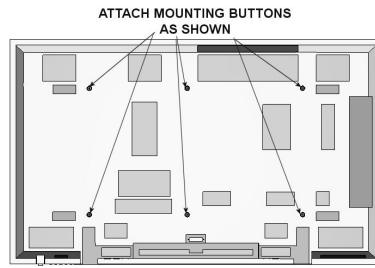


Figure 4

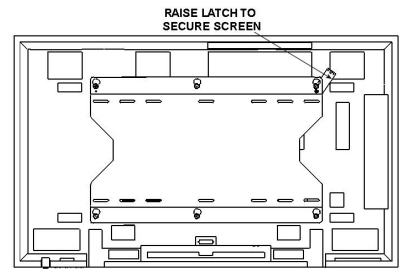


Figure 5

1. Attach mounting buttons to display using the appropriate, M8 x 20mm or M8 x 30mm, cap screw for each mounting button (see Figure 3 & Figure 4). A minimum thread engagement equal to the diameter of the mounting screw must be achieved in order for proper installation. (See Illustration below)

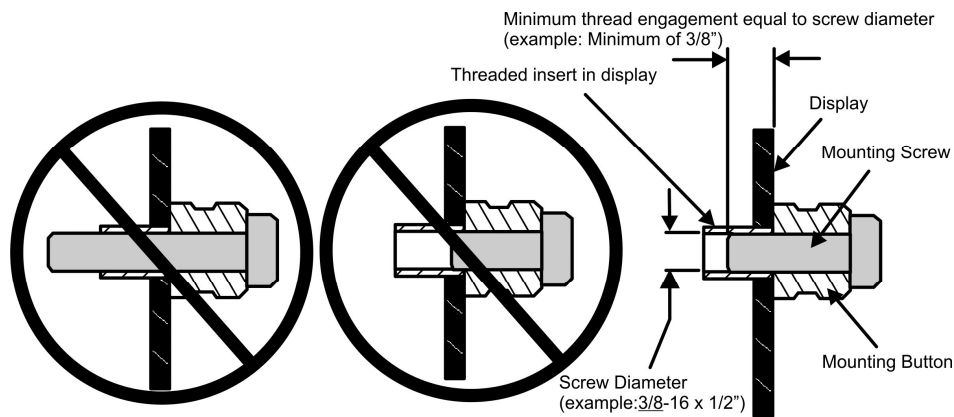


Figure 6. Mounting Button

⚠️ WARNING! Improper installation can lead to the mount falling. The structure supporting the mount must be capable of supporting 4 times the weight of the mount and display.

2. Securely anchor the plasma static mount to the wall using wall studs or supporting framework.
3. Make sure the flag is lowered to the side before attempting to place the display on the mount.
4. With the aid of another person, lift the display up to the mount, align the mounting buttons on the display with the teardrop slots in the mount, and set the display into place (see Figure 5).
5. Position (raise) the flag to secure the display.

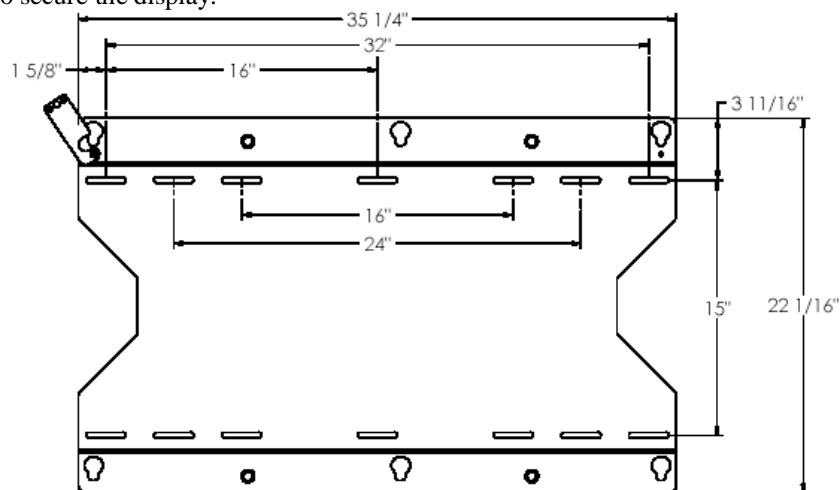


Figure 7. Dimensions