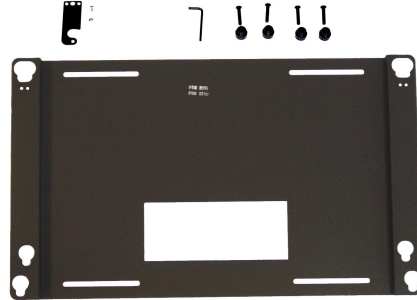


# INSTALLATION INSTRUCTIONS

## PLASMA DISPLAY STATIC MOUNT PSM-2051 and PSM-2052



- |                                      |                                  |
|--------------------------------------|----------------------------------|
| (1) Plasma Static Mount              | (1) 10-24 x .5 FH Undercut Screw |
| (1) Latching Flag                    | (1) 10-24 Nylock Nut             |
| (4) M8 x 40mm Button Head Cap Screws | (4) Mounting Buttons-Nylon       |
| (1) Nylon Washer                     | (1) M5 Allen Key                 |

**BEFORE PROCEEDING:** Unpack the carton, verify contents shown in Figure 1, and read installation instructions completely. If you are missing any of the listed components, please contact Customer Service at 1-800/582-6480.

### **CAUTION!** Plasma Displays are Extremely Fragile.

1. Secure latching flag to the inside mounting hole of the mount using the 10-24 Philips screw, nylon washer, and Nylock nut (see Figure 2). Tighten until friction will hold the flag in place.
2. Attach mounting buttons to display using the M8 bolts. Tighten using the included Allen key (see Figure 3 and Figure 4).

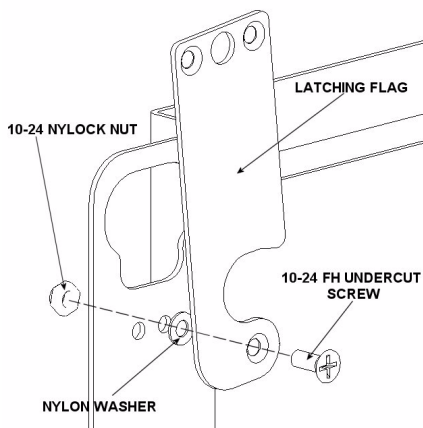


Figure 2

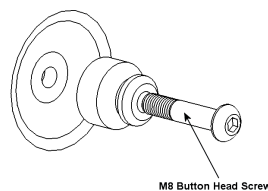


Figure 3

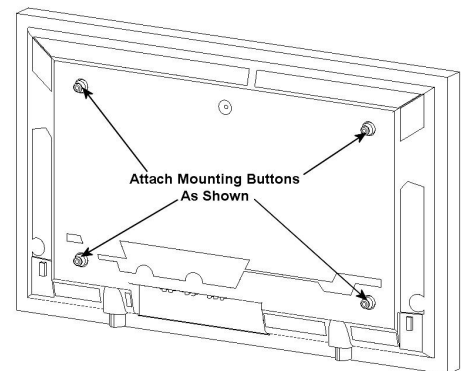


Figure 4



**CHIEF MANUFACTURING INC.**  
1-800-582-6480 952-894-6280 FAX 952-894-6918  
12800 HIGHWAY 13 SOUTH, SUITE 500  
SAVAGE, MINNESOTA 55378 USA

8805-000038 Rev01  
2003 Chief Manufacturing  
[www.chiefmfg.com](http://www.chiefmfg.com)  
01/03

# WARNING!

**ALL COMPONENTS MUST BE SECURELY FASTENED TO A STRUCTURAL MEMBER CAPABLE OF SUPPORTING 4 TIMES THE COMBINED WEIGHT OF ALL COMPONENTS PLUS THE EQUIPMENT BEING MOUNTED. IF IT CANNOT SUPPORT THIS WEIGHT, THE STRUCTURE MUST BE REINFORCED. THE MAXIMUM WEIGHT TO BE INSTALLED ON THE MOUNT IS 150 POUNDS (68.04 KG).**

3. Securely anchor the static mount to the wall using wall studs or supporting framework.
4. Make sure the flag is lowered to the side before attempting to place the display on the mount.
5. With the aid of another person, lift the display up to the mount, align the mounting buttons on the display with the teardrop slots in the mount, and set the display into place (see Figure 5).
6. Position (raise) the flag to secure the display (see Figure 5).

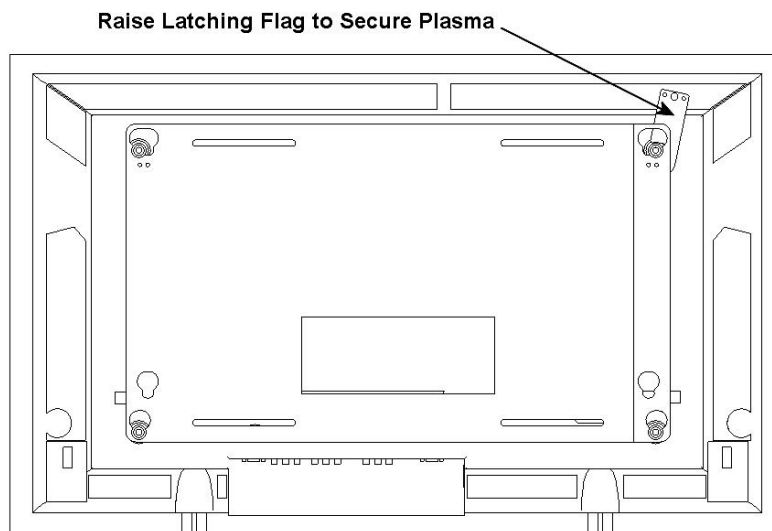


Figure 5