


INSTALLATION INSTRUCTIONS

PLASMA DISPLAY STATIC MOUNT

PSM-2051 and PSM-2052 



- (1) Plasma Static Mount
- (1) Latching Flag
- (4) M8 x 40mm Button Head Cap Screws
- (1) Nylon Washer

- (1) 10-24 x .5 FH Undercut Screw
- (1) 10-24 Nylock Nut
- (4) Mounting Buttons-Nylon
- (1) M5 Allen Key

BEFORE PROCEEDING: Unpack the carton, verify contents shown in Figure 1, and read installation instructions completely.

CAUTION! Plasma Displays are Extremely Fragile.

1. Secure latching flag to the inside mounting hole of the mount using the 10-24 Philips screw, nylon washer, and Nylock nut (see Figure 2). Tighten until friction will hold the flag in place.
2. Attach mounting buttons to display using the M8 bolts. Tighten using the included Allen key (see Figure 3 and Figure 4).

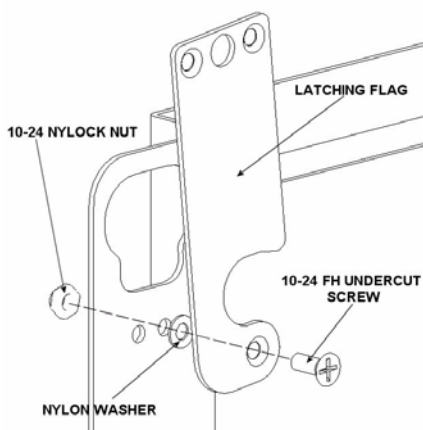


Figure 2

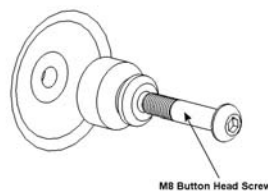


Figure 3

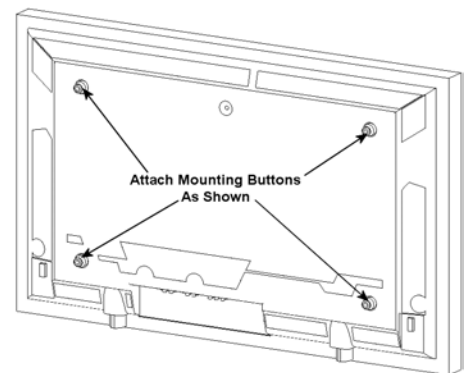


Figure 4

WARNING!

ALL COMPONENTS MUST BE SECURELY FASTENED TO A STRUCTURAL MEMBER CAPABLE OF SUPPORTING 4 TIMES THE COMBINED WEIGHT OF ALL COMPONENTS PLUS THE EQUIPMENT BEING MOUNTED. IF IT CANNOT SUPPORT THIS WEIGHT, THE STRUCTURE MUST BE REINFORCED. THE MAXIMUM WEIGHT TO BE INSTALLED ON THE MOUNT IS 150 POUNDS (68.04 KG).

3. Securely anchor the static mount to the wall using wall studs or supporting framework.
4. Make sure the flag is lowered to the side before attempting to place the display on the mount.
5. With the aid of another person, lift the display up to the mount, align the mounting buttons on the display with the teardrop slots in the mount, and set the display into place (see Figure 5).
6. Position (raise) the flag to secure the display (see Figure 5).

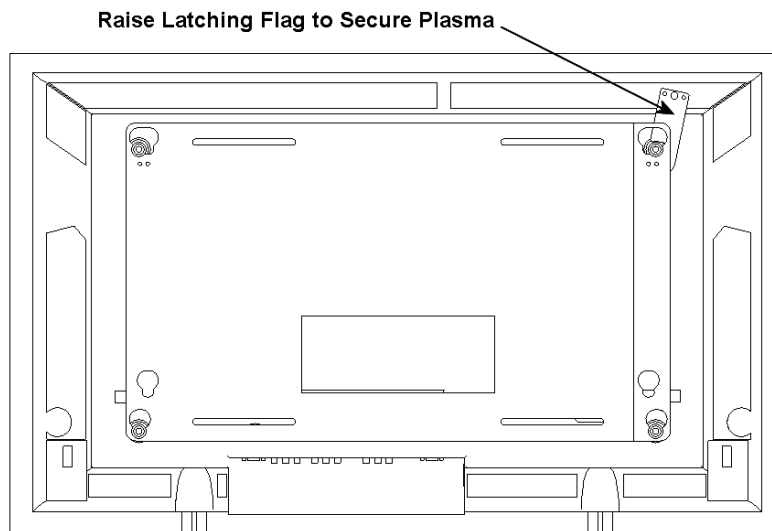


Figure 5