
INSTALLATION INSTRUCTIONS

PLASMA DISPLAY STATIC MOUNT PSM-2053

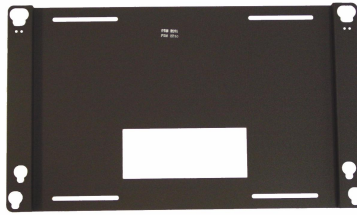


Figure 1

- | | |
|--------------------------------------|----------------------------------|
| (1) Plasma Static Mount | (1) 10-24 x .5 FH Undercut Screw |
| (1) Latching Flag | (1) 10-24 Nylock Nut |
| (4) M8 x 60mm Button Head Cap Screws | (4) Mounting Buttons-Nylon |
| (1) Nylon Washer | (1) M5 Allen Key |

BEFORE PROCEEDING: Unpack the carton, verify contents shown in Figure 1 and read installation instructions completely. If you are missing any of the listed components, please contact Customer Service at 1-800/582-6480.

CAUTION! PLASMA DISPLAYS ARE EXTREMELY FRAGILE

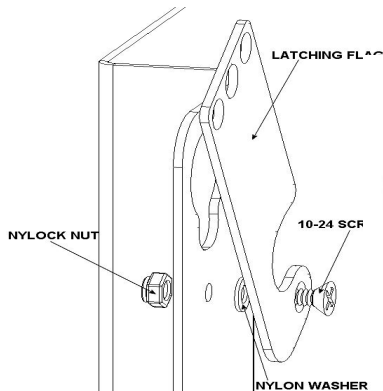


Figure 2

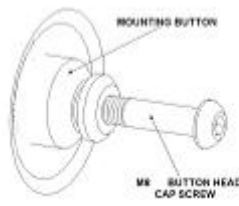


Figure 3

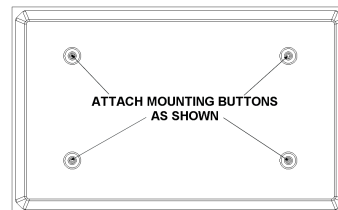


Figure 4

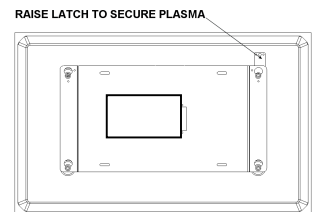


Figure 5

1. Attach latching flag to mount using the 10-24 Philips screw, the nylon washer, and the Nylock nut (see Figure 2). Tighten until friction will hold the flag in place.
2. Attach the mounting buttons to the display using M8 bolts. Tighten using the included Allen key (see Figure 3 & Figure 4).
3. Securely anchor the plasma static mount to the wall using wall studs or supporting framework.

Warning!

THE MOUNT, WHEN ANCHORED IN PLACE, MUST BE CAPABLE OF SUPPORTING 4 TIMES THE COMBINED WEIGHT OF THE PLASMA AND MOUNT.

4. Make sure the flag is lowered to the side before attempting to place the display on the mount.
5. With the aid of another person, lift the display up to the mount, align the mounting buttons on the display with the teardrop slots in the mount, and set the display into place (see Figure 5).
6. Position (raise) the flag to secure the plasma (see Figure 5).



CHIEF MANUFACTURING INC.
1-800-582-6480 952-894-6280 FAX 952-894-6918
12800 HIGHWAY 13 SOUTH, SUITE 500
SAVAGE, MINNESOTA 55378 USA

8805-000039 Rev01
2003 Chief Manufacturing
www.chiefmfg.com
01/04