
INSTALLATION INSTRUCTIONS

FLAT PANEL DISPLAY STATIC MOUNT PSM-2054

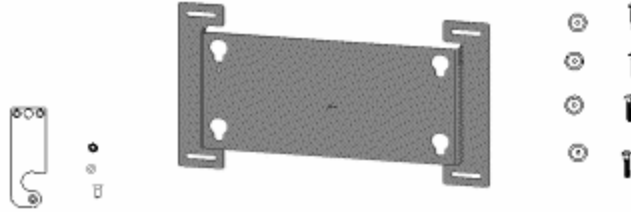


Figure 1

- | | |
|--|--------------------------------------|
| (1) LCD Static Mount | (1) Nylon Washer |
| (1) Latching Flag | (1) 10-24 Nylock Nut |
| (1) 10-24 x .5 Phillips Flat Head Undercut Screw | (4) M4 x 25mm Philips Head Cap Screw |
| (4) Mounting Buttons – Yellow | |

BEFORE PROCEEDING: Unpack the carton, verify contents shown in Figure 1 and read installation instructions completely. If you are missing any of the listed components, please contact Customer Service at 1-800/582-6480.

CAUTION! Flat Panel Displays are Extremely Fragile.

- 1) Secure latching flag to mount using the 10-24 undercut screw, Nylon washer, and Nylock nut (see Figure 2). Tighten until friction will hold the flag in place.

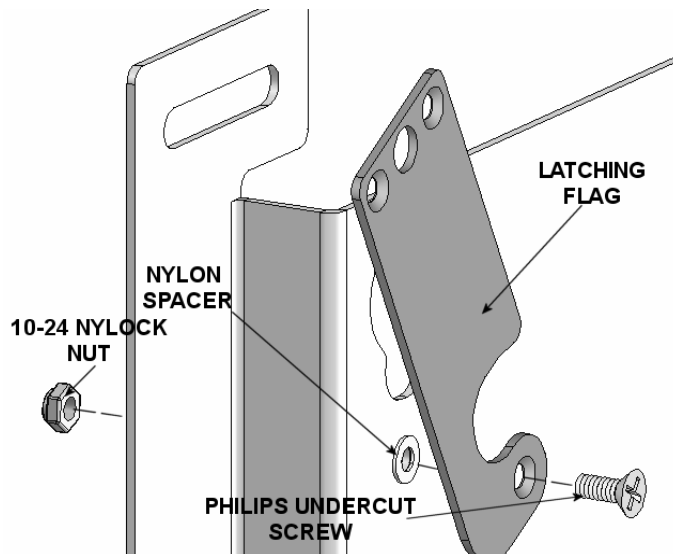


Figure 2



CHIEF MANUFACTURING INC.
1-800-582-6480 952-894-6280 FAX 952-894-6918
8401 EAGLE CREEK PKWY, STE 700
SAVAGE, MINNESOTA 55378 USA

8805-000031 Rev01
2003 Chief Manufacturing
www.chiefmfg.com
09/04

WARNING

ALL COMPONENTS MUST BE SECURELY FASTENED TO A STRUCTURAL MEMBER CAPABLE OF SUPPORTING 4 TIMES THE COMBINED WEIGHT OF ALL COMPONENTS PLUS THE EQUIPMENT BEING MOUNTED. IF IT CANNOT SUPPORT THIS WEIGHT, THE STRUCTURE MUST BE REINFORCED. THE MAXIMUM WEIGHT TO BE INSTALLED ON THE MOUNT IS 175 POUNDS (79.38KG).

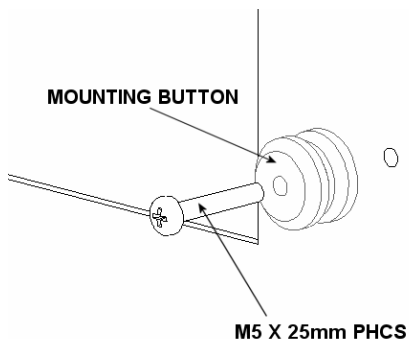


Figure 3

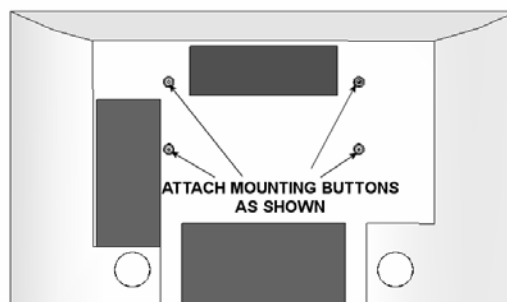


Figure 4

- 2) Attach mounting buttons to display using four M4 x 25 Philips head cap screws provided (see Figure 3 and Figure 4).
- 3) Securely anchor the flat panel static mount to wall studs or supporting framework (see WARNING).
- 4) Make sure the flag is lowered before attempting to place the display on the mount.
- 5) With the aid of another person, lift the display up to the mount, align the mounting buttons on the display with the teardrop slots in the mount, and set the display into place (see Figure 3).
- 6) Position (raise) the flag to secure display.

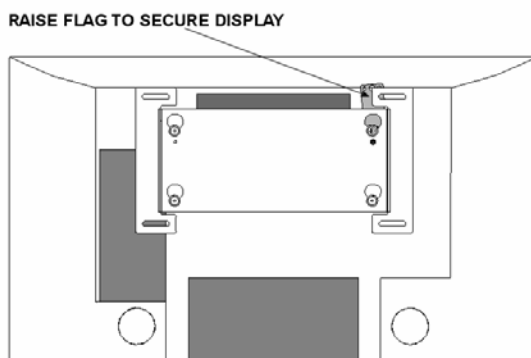


Figure 5