

# INSTALLATION INSTRUCTIONS

## PLASMA DISPLAY STATIC MOUNT

### PSM-2055

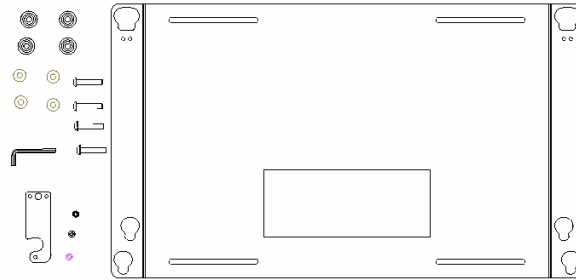


Figure 1

- |   |   |
|---|---|
| (1) Plasma Static Mount                   | (4) Mounting Buttons-Black Nylon        |
| (4) M8 x 40mm Button Head Cap Screws      | (4) M8 x 55mm Hex Head Cap Screw        |
| (1) Nylon Washer                          | (1) Latching Flag                       |
| (1) 10-24 Nylock Nut                      | (1) 10-24 x .5 Flat Head Undercut Screw |
| (4) .75 OD x .323 ID x .125 Nylon Spacers | (1) M5 Allen Key                        |

**BEFORE PROCEEDING:** Unpack the carton, verify contents shown in Figure 1 and read installation instructions completely. If you are missing any of the listed components, please contact Customer Service at 1-800/582-6480.

## CAUTION! Plasma Displays are Extremely Fragile.

1. Attach latching the flag to the mount using the 10-24 Phillips flat head screw, Nylon washer, and Nylock nut (see Figure 2). Tighten until friction will hold the flag in place.
2. Attach mounting buttons to the display using four M8 screws and Nylon washers (provided) (see Figure 3 & Figure 4). Use the appropriate length of screw for your particular screen.

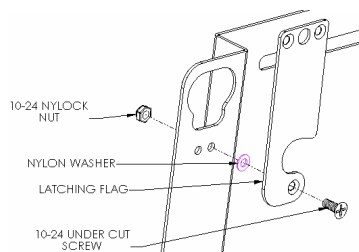


Figure 2

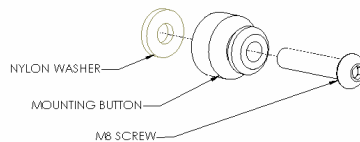


Figure 3

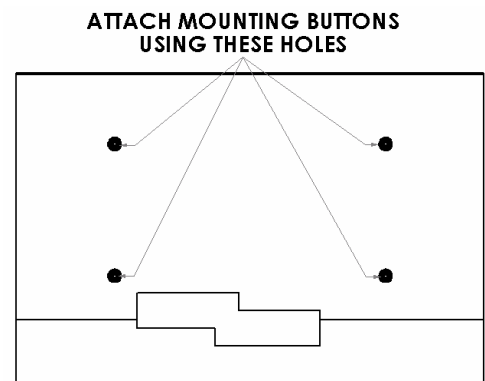


Figure 4



**CHIEF MANUFACTURING INC.**  
**1-800-582-6480** 952-894-6280 FAX 952-894-6918  
 12800 HIGHWAY 13 SOUTH, SUITE 500  
 SAVAGE, MINNESOTA 55378 USA

8805-000181 Rev01  
 2003 Chief Manufacturing  
[www.chiefmfg.com](http://www.chiefmfg.com)  
 2/25/04

# WARNING

**ALL COMPONENTS MUST BE SECURELY FASTENED TO A STRUCTURAL MEMBER CAPABLE OF SUPPORTING 4 TIMES THE COMBINED WEIGHT OF ALL COMPONENTS PLUS THE EQUIPMENT BEING MOUNTED. IF IT CANNOT SUPPORT THIS WEIGHT, THE STRUCTURE MUST BE REINFORCED. THE MAXIMUM WEIGHT TO BE INSTALLED ON THE MOUNT**

3. Securely anchor the plasma static mount to wall studs or supporting framework (see WARNING).
4. Make sure the flag is lowered before attempting to place the display on the mount.
5. With the aid of another person, lift your display up to the mount, align the mounting buttons on the display with the teardrop slots in the mount, and set the display into place (see Figure 5).
6. Position (raise) the flag to secure the display.

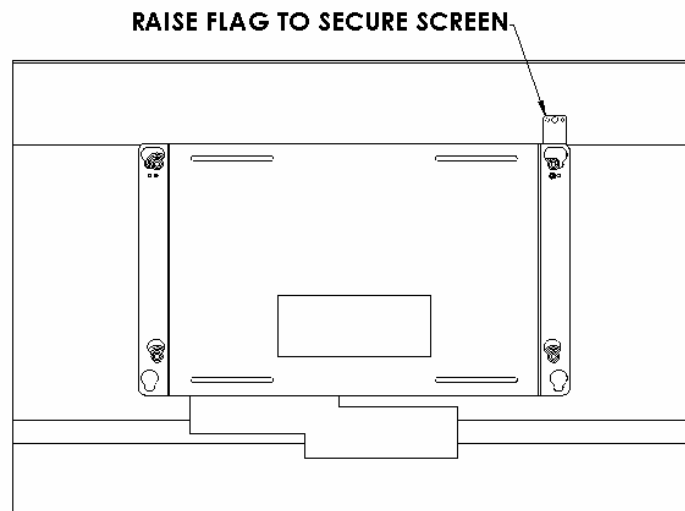


Figure 5