

# INSTALLATION INSTRUCTIONS

## FLAT PANEL DISPLAY STATIC MOUNT PSM-2056 & PSM-2057 & PSM-2058

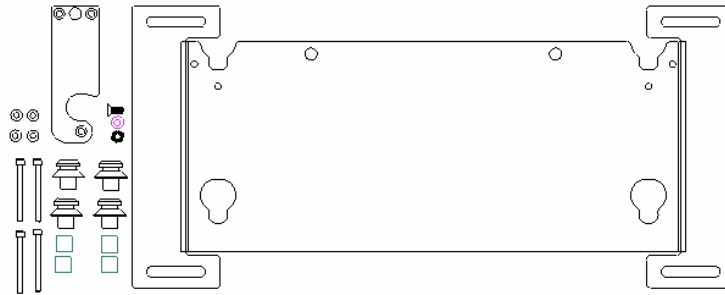


Figure 1

- |  |                                     |
|--|-------------------------------------|
| (1) LCD Static Mount                             | (1) Nylon Washer                    |
| (1) Latching Flag                                | (1) 10-24 Nylock Nut                |
| (1) 10-24 x .5 Phillips Flat Head Undercut Screw | (4) M4 x 45mm Socket Head Cap Screw |
| (4) Mounting Buttons – White Nylon               | (4) .500 x .194 x .500 Nylon Spacer |
| (4) M4 Flat Washer                               | (1) M3 Allen Key                    |

**BEFORE PROCEEDING:** Unpack the carton, verify contents shown in Figure 1 and read installation instructions completely. If you are missing any of the listed components, please contact Customer Service at 1-800/582-6480.

### **CAUTION!** Flat Panel Displays are Extremely Fragile.

- 1) Secure latching flag to mount using the 10-24 undercut screw, Nylon washer, and Nylock nut (see Figure 2 for 32" and Figure 3 for 26" screen). Tighten until friction will hold the flag in place.

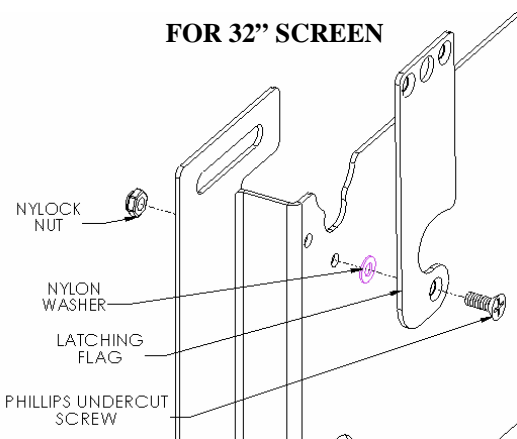


Figure 2

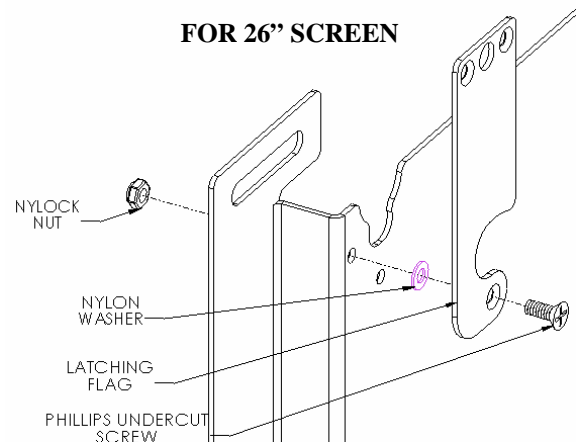


Figure 3



**CHIEF MANUFACTURING INC.**  
1-800-582-6480 952-894-6280 FAX 952-894-6918  
8401 EAGLE CREEK PKWY, STE. 700  
SAVAGE, MINNESOTA 55378 USA

8805-000116 RevB  
2006 Chief Manufacturing  
[www.chiefmfg.com](http://www.chiefmfg.com)  
03/06

# WARNING

**ALL COMPONENTS MUST BE SECURELY FASTENED TO A STRUCTURAL MEMBER CAPABLE OF SUPPORTING 4 TIMES THE COMBINED WEIGHT OF ALL COMPONENTS PLUS THE EQUIPMENT BEING MOUNTED. IF IT CANNOT SUPPORT THIS WEIGHT, THE STRUCTURE MUST BE REINFORCED. THE MAXIMUM WEIGHT TO BE INSTALLED ON THE MOUNT IS 150 POUNDS (68.04 KG).**

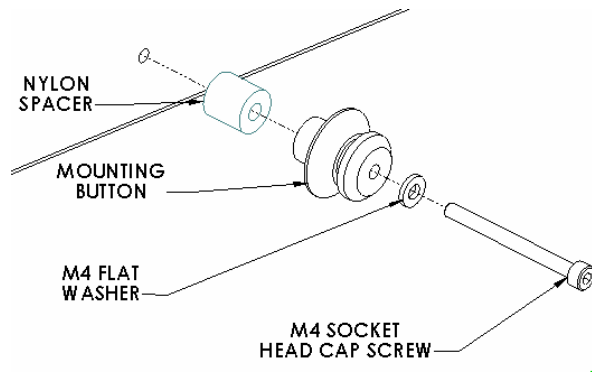


Figure 4

**ATTACH MOUNTING BUTTONS AND SPACERS TO BACK OF DISPLAY USING THESE HOLES**

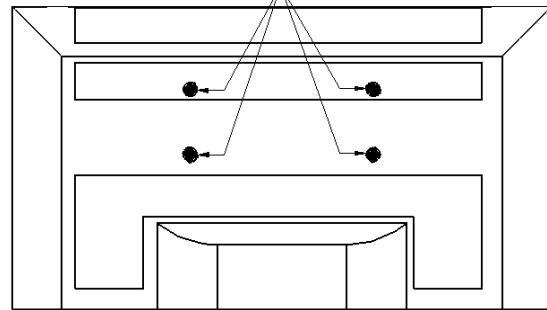


Figure 5

- 2) Attach mounting buttons and nylon spacers to display using four M4 x 45mm socket head cap screws and M4 flat washers provided (see Figure 4 and Figure 5).
- 3) Securely anchor the flat panel static mount to wall studs or supporting framework (see WARNING).
- 4) Make sure the flag is out of the way before attempting to place the display on the mount.
- 5) With the aid of another person, lift the display up to the mount, align the mounting buttons on the display with the teardrop slots in the mount, and set the display into place (see Figure 6 for 32" and see Figure 7 for 26" screen).
- 6) Position (raise or lower depending on screen size) the flag to secure display.

## FOR 32" SCREEN

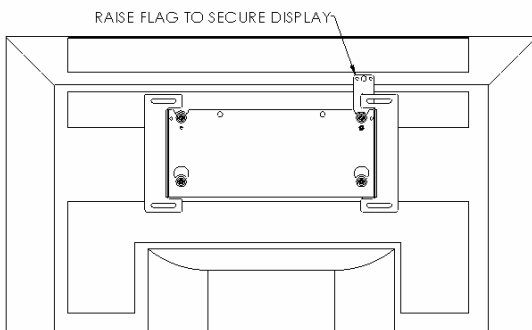


Figure 6

## FOR 26" SCREEN

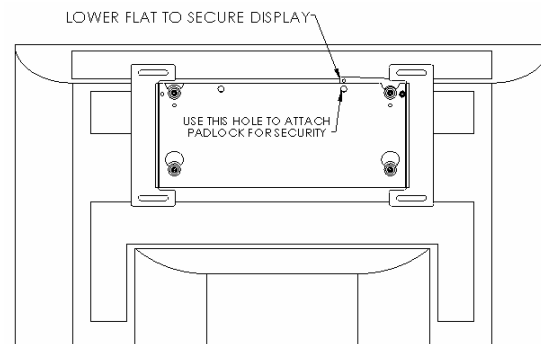


Figure 7