

# INSTALLATION INSTRUCTIONS

## PLASMA DISPLAY STATIC MOUNT PSM-2081 & PSM-2083

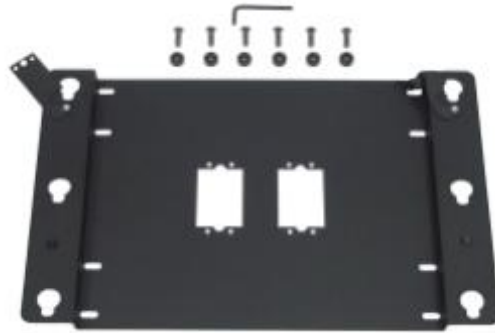


Figure 1

- |   |                                      |
|---|--------------------------------------|
| (1) Plasma Static Mount                       | (1) 10-24 x .5 FH Undercut Screw     |
| (1) Latching Flag                             | (1) 10-24 Nylock Nut                 |
| (6) Mounting Buttons-Black .316" Hole         | (6) M8 x 25mm Button Head Cap Screws |
| (1) Nylon Washer .500" OD x .312" ID x .0312" | (1) M5 Allen Key                     |

**BEFORE PROCEEDING:** Unpack the carton, verify contents shown in Figure 1 and read installation instructions completely. If you are missing any of the listed components, please contact Customer Service at 1-800/582-6480.

### **CAUTION!** Plasma Displays are Extremely Fragile.

1. Attach mounting buttons to plasma using six M8 x 25 cap screws provided (see Figure 2).
2. Using a 10-24 x .5 FH undercut screw, Nylon washer between safety latch and mount, and 10-24 Nylock nut, install the safety latch loose enough to move but tight enough to remain in place when raised (see Figure 3).

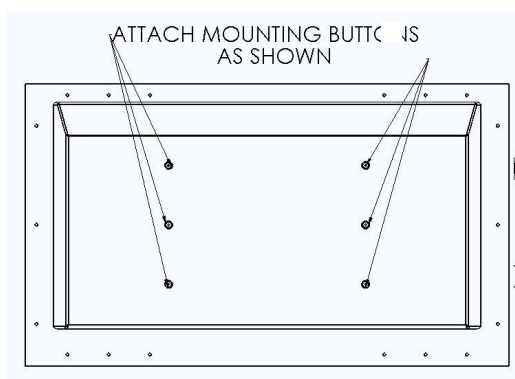


Figure 2

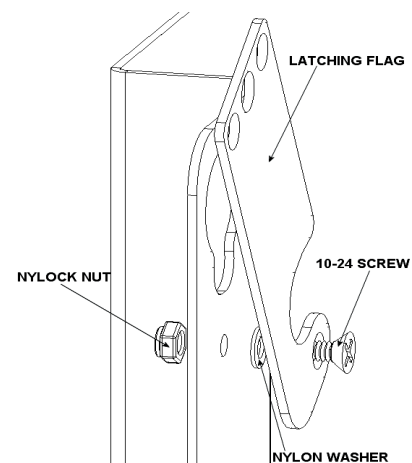
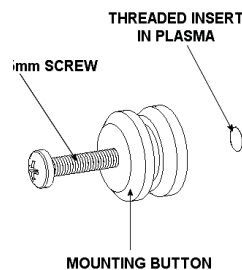


Figure 3



**CHIEF MANUFACTURING INC.**  
1-800-582-6480 952-894-6280 FAX 952-894-6918  
12800 HIGHWAY 13 SOUTH, SUITE 500  
SAVAGE, MINNESOTA 55378 USA

8805-000040 Rev01  
2003 Chief Manufacturing  
[www.chiefmfg.com](http://www.chiefmfg.com)  
01/04

# WARNING!

**ALL COMPONENTS MUST BE SECURELY FASTENED TO A STRUCTURAL MEMBER CAPABLE OF SUPPORTING 4 TIMES THE COMBINED WEIGHT OF ALL COMPONENTS PLUS THE EQUIPMENT BEING MOUNTED. IF IT CANNOT SUPPORT THIS WEIGHT, THE STRUCTURE MUST BE REINFORCED. THE MAXIMUM WEIGHT TO BE INSTALLED ON THE MOUNT IS 150 POUNDS (68.04 KG).**

3. Securely anchor the plasma static mount to the wall using wall studs or supporting framework.
4. Make sure the flag is lowered to the side before attempting to place the plasma on the mount.
5. With the aid of another person, lift the plasma display up to the mount, align the mounting buttons on the plasma with the teardrop slots in the mount, and set the plasma into place (see Figure 4).
6. Position (raise) the flag to secure the plasma.

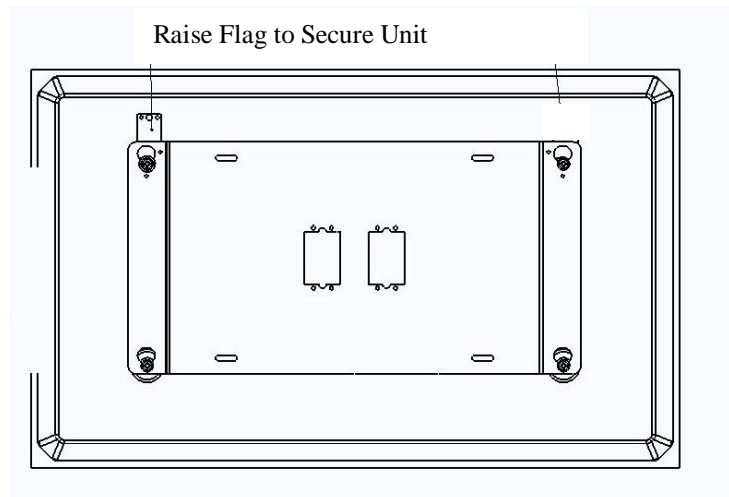


Figure 4