

INSTALLATION INSTRUCTIONS

PLASMA DISPLAY STATIC MOUNT PSM-2094

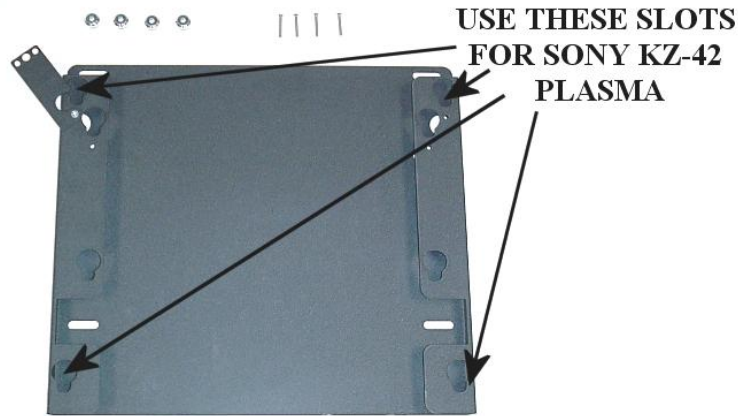


Figure 1

- | | |
|---|--|
| (1) Plasma Static Mount | (1) 10-24 x .5 FH Undercut Screw |
| (1) Latching Flag | (1) 10-24 Nylock Nut |
| (4) Mounting Buttons-White Nylon Stepped .160" Hole | (4) M4 x 35mm Phillips Head Cap Screws |
| (1) Nylon Washer | |

BEFORE PROCEEDING: Unpack the carton; verify contents shown in Figure 1 and read installation instructions completely. If you are missing any of the listed components, please contact Customer Service at 1-800/582-6480.

CAUTION! PLASMA DISPLAYS ARE EXTREMELY FRAGILE.

1. Attach mounting buttons to plasma using four M4 x 35mm cap screws provided (see Figure 2 & Figure 3).
2. Using a 10-24 x .5 FH undercut screw, Nylon washer between safety latch and mount, and 10-24 Nylock nut, install the safety latch loose enough to move but tight enough to remain in place when raised.

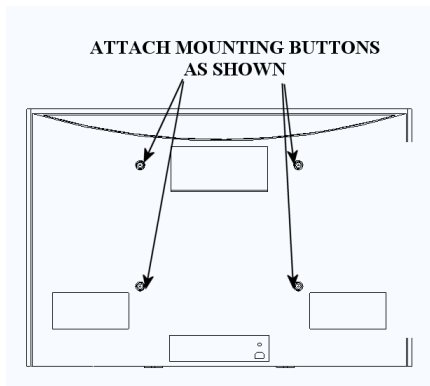


Figure 2

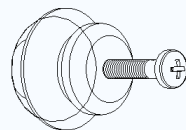


Figure 3

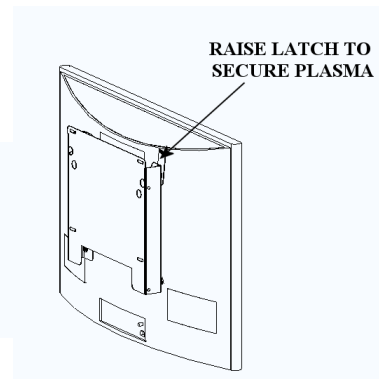


Figure 4



CHIEF MANUFACTURING INC.
1-800-582-6480 952-894-6280 FAX 952-894-6918
12800 HIGHWAY 13 SOUTH, SUITE 500
SAVAGE, MINNESOTA 55378 USA

8805-000042 Rev01
2003 Chief Manufacturing
www.chiefmfg.com
01/03

WARNING!

All components must be securely fastened to a structural member capable of supporting 4 times the combined weight of all components plus the equipment being mounted. If it cannot support this weight, the structure **MUST** be reinforced. The maximum weight to be installed on the mount is 150 pounds (68.04 Kg).

3. Securely anchor the plasma static mount to the wall using wall studs or supporting framework.
4. Make sure the flag is lowered to the side before attempting to place the plasma on the mount.
5. With the aid of another person, lift the plasma display up to the mount, align the mounting buttons on the plasma with the teardrop slots in the mount, and set the plasma into place (see Figure 4).
6. Position (raise) the latch to secure the plasma.