
INSTALLATION INSTRUCTIONS

PLASMA DISPLAY STATIC MOUNT PSM-2112

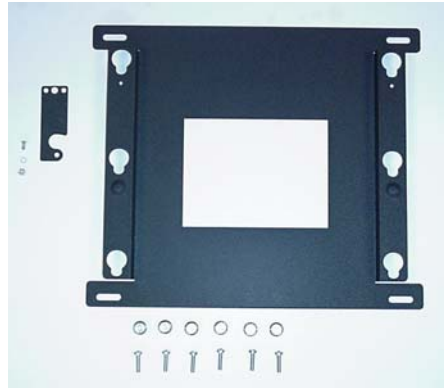


Figure 1

- | | |
|--|----------------------------------|
| (1) Plasma Static Mount | (1) 10-24 x .5 FH Undercut Screw |
| (1) Latching Flag | (1) Nylon Washer |
| (6) M6 x 25mm Phillips Head Cap Screws | (1) 10-24 Nylock Nut |
| (6) Mounting Buttons-zinc | |

BEFORE PROCEEDING: Unpack the carton, verify contents shown in Figure 1 and read installation instructions completely. If you are missing any of the listed components, please contact Customer Service at 1-800/582-6480.

CAUTION! Plasma Displays are Extremely Fragile.

1. Attach latching flag to mount using the 10-24 Phillips head screw, Nylon washer, and Nylock nut (see Figure 2). Tighten until friction will hold the flag in place.
2. Attach mounting buttons to plasma using six M6 x 25 cap screws provided (see Figure 3 & Figure 4).

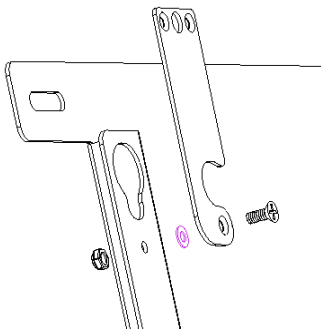


Figure 2

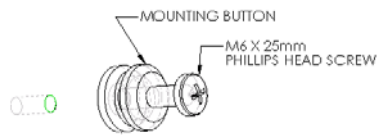


Figure 3

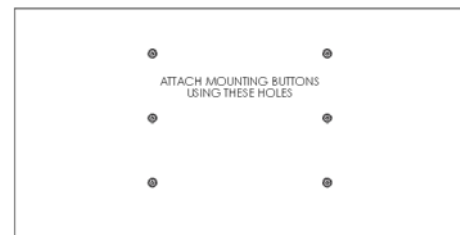


Figure 4



CHIEF MANUFACTURING INC.
1-800-582-6480 952-894-6280 FAX 952-894-6918
8401 EAGLE CREEK PKWY, STE 700
SAVAGE, MINNESOTA 55378 USA

8805-000047 Rev01
2003 Chief
Manufacturing
www.chiefmfg.com

08/04

WARNING

ALL COMPONENTS MUST BE SECURELY FASTENED TO A STRUCTURAL MEMBER CAPABLE OF SUPPORTING 4 TIMES THE COMBINED WEIGHT OF ALL COMPONENTS PLUS THE EQUIPMENT BEING MOUNTED. IF IT CANNOT SUPPORT THIS WEIGHT, THE STRUCTURE MUST BE REINFORCED.

THE MAXIMUM WEIGHT TO BE INSTALLED ON THE MOUNT IS 175 POUNDS 79.38 KG).

3. Securely anchor the plasma static mount to wall studs or supporting framework (see WARNING).
4. Make sure the flag is lowered to the side before attempting to place the plasma on the mount.
5. With the aid of another person, lift the plasma display up to the mount, align the mounting buttons on the plasma with the teardrop slots in the mount, and set the plasma into place (see Figure 5).
6. Position (raise) the flag to secure the plasma.

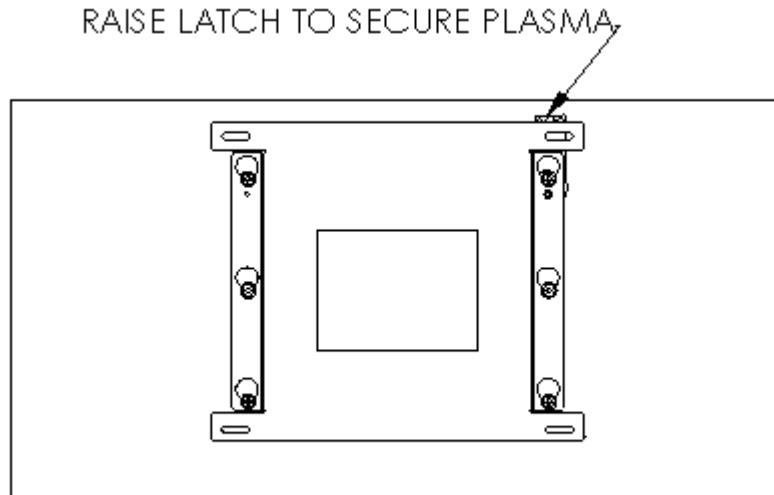


Figure 5