



INSTALLATION INSTRUCTIONS

PSM 2133

PLASMA DISPLAY STATIC MOUNT

Prior to assembly, unpack carton completely and verify contents.

If you are missing any of the following components, please contact Customer Service at 1-800/582-6480

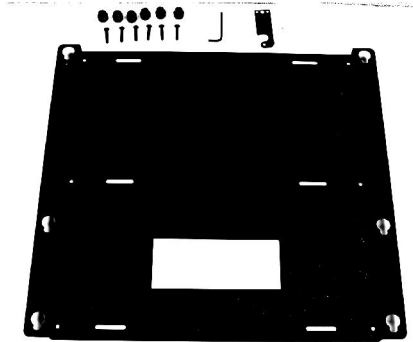


Figure 1

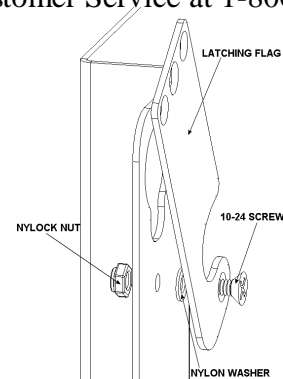


Figure 2

- (1) Plasma Static Mount
- (6) Mounting Buttons-Nylon Stepped-Pan Style
- (6) M8-1.25 x 35mm BHCS
- (1) 5mm Allen Key

- (1) Latching Flag
- (1) 10-24 Nylock Nut
- (1) 10-24 x .5 Undercut FH Screw
- (1) Nylon Washer

BEFORE PROCEEDING, READ INSTALLATION INSTRUCTIONS COMPLETELY

CAUTION!

PLASMA DISPLAYS ARE EXTREMELY FRAGILE.

1. Attach latching flag to mount using 10-24 nylock nut, 10-24 flat head screw, and the nylon washer between the flag and mount (See Figure 2). Tighten until friction will hold the flag in place.
2. Place nylon mounting buttons over mounting holes on back of display and attach using M8-1.25 x 35 mm BHCS (See Figures 3 & 4).
3. Mount plasma static mount onto wall utilizing wall studs or supporting framework. The mount, when anchored in place, must be capable of supporting 4 times the weight of the plasma and mount.
4. With the aid of another person, lift plasma display up to the Chief mount, aligning mounting buttons with the teardrop slots and setting into place.
5. Raise safety latch to secure plasma in place (See Figure 5).

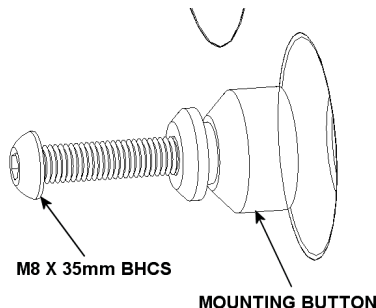


Figure 3

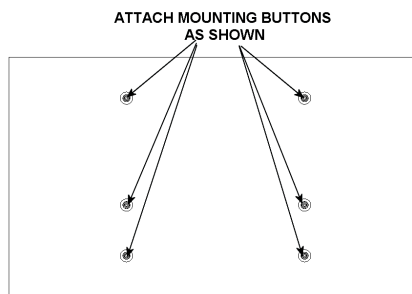


Figure 4

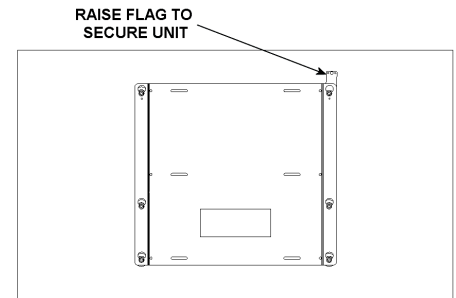


Figure 5

04/27/06