

INSTALLATION INSTRUCTIONS

PSM 2152 & 2153 PLASMA STATIC MOUNT

Prior to assembly, unpack carton completely and verify contents.
If you are missing any of the following components, please contact Customer Service
at 1-800/582-6480

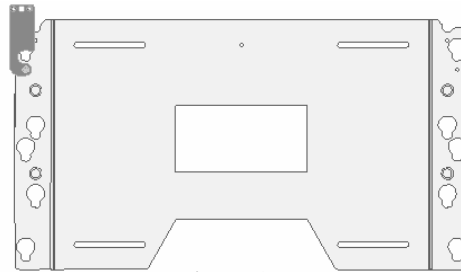


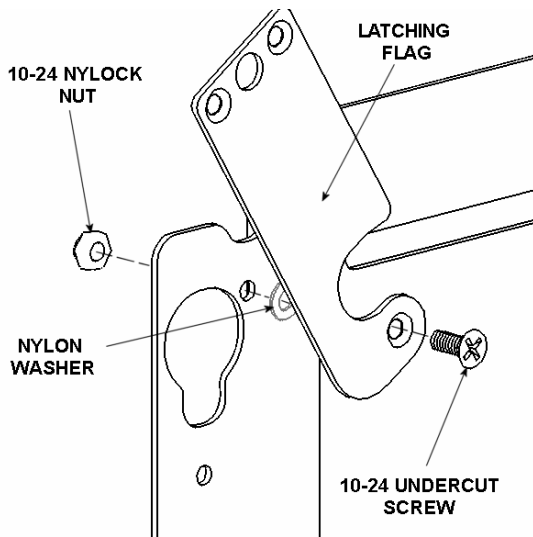
Figure 1

- | | |
|-----------------------------------|-----------------------------------|
| (1) Plasma Static Mount | (1) Latching Flag |
| (1) 10-24 Nylock Nut | (6) Mounting Buttons-Green |
| (1) 10-24 x .5 Undercut FH Screw | (6) M5 x 25mm Phillips Head Screw |
| (1) Nylon Washer | (6) .75 X .34 X .5 Nylon Spacer |
| (6) M5 x 40mm Phillips Head Screw | |

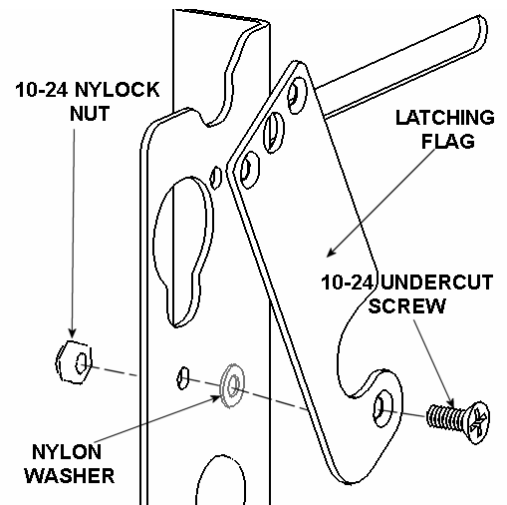
BEFORE PROCEEDING, READ INSTALLATION INSTRUCTIONS COMPLETELY

CAUTION! PLASMA DISPLAYS ARE HEAVY AND EXTREMELY FRAGILE.

1. Attach latching flag to mount using the 10-24 Phillips head screw, Nylon washer, and Nylock nut using the inside set of holes for the 42" screens and the outside set of holes for the 50" screens (see Figure 2 & Figure 3). Tighten until friction will hold the flag in place.



LATCH POSITION FOR 42" SCREENS
Figure 2



LATCH POSITION FOR 50" SCREENS

Figure 3

WARNING

ALL COMPONENTS MUST BE SECURELY FASTENED TO A STRUCTURAL MEMBER CAPABLE OF SUPPORTING 4 TIMES THE COMBINED WEIGHT OF ALL COMPONENTS PLUS THE EQUIPMENT BEING MOUNTED. IF IT CANNOT SUPPORT THIS WEIGHT, THE STRUCTURE MUST BE REINFORCED. THE MAXIMUM WEIGHT TO BE INSTALLED ON THE MOUNT IS 175 POUNDS (79.38 KG).

2. Attach mounting buttons to the display using the M5 x 25mm screws provided (see Figure 4 & Figure 5). If screen has protrusion on back, stack .5" nylon spacer with button and attach using the M5 x 40mm screws.

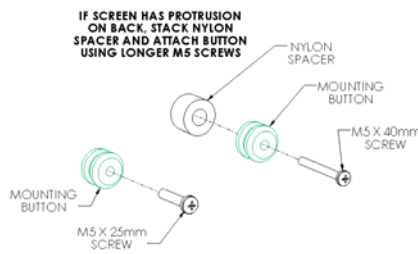


Figure 4

ATTACH MOUNTING BUTTONS TO BACK OF DISPLAY USING THESE HOLES

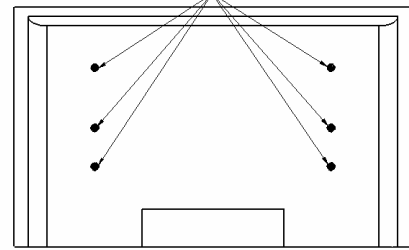


Figure 5

3. Mount plasma static mount to wall using wall studs or supporting framework. The mount, when anchored in place, must be capable of supporting four times the weight of the display and the mount.
4. With the aid of another person, lift the display up to the Chief mount, aligning mounting buttons with the teardrop slots and setting into place (see Figure 6 or Figure 7).
5. Raise safety latch to secure the display (see Figure 8).

PSM-2152

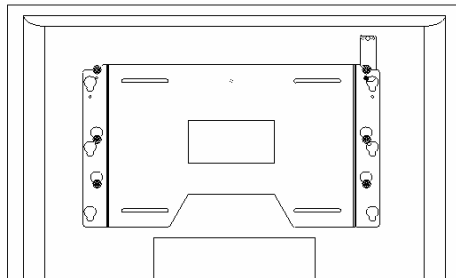


Figure 6

PSM-2153

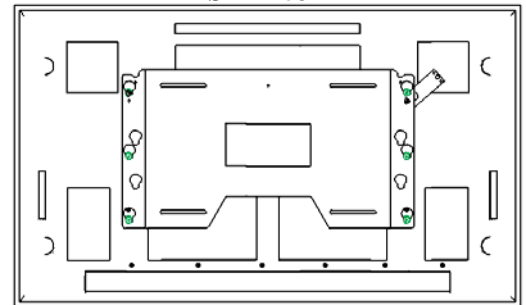


Figure 7

RAISE LATCH TO SECURE SCREEN

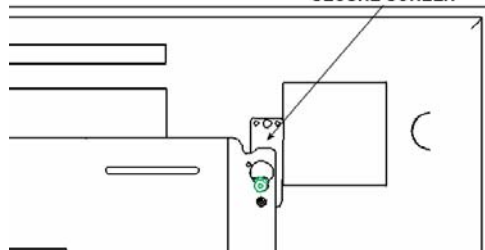


Figure 8