

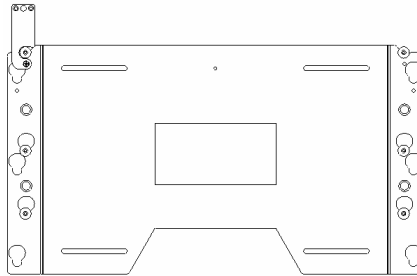
INSTALLATION INSTRUCTIONS

PSM 2157

PLASMA STATIC MOUNT

Prior to assembly, unpack carton completely and verify contents.

If you are missing any of the following components, please contact Customer Service at 1-800/582-6480



- (1) Plasma Static Mount
- (1) 10-24 Nylock Nut
- (1) 10-24 x .5 Undercut FH Screw
- (6) M4 x 25mm Phillips Head Screw

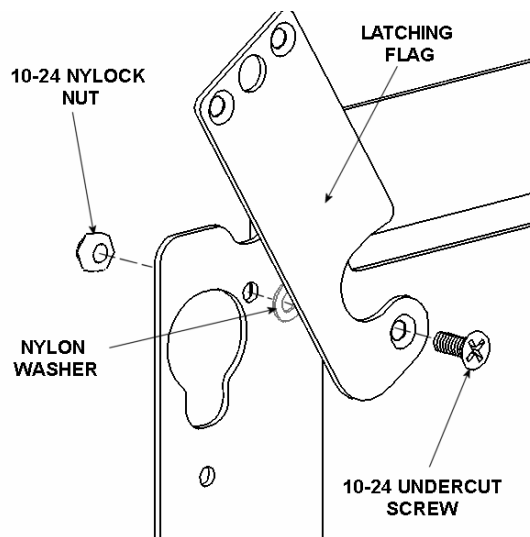
Figure 1

- (1) Latching Flag
- (6) Mounting Buttons-Yellow
- (1) Nylon Washer

BEFORE PROCEEDING, READ INSTALLATION INSTRUCTIONS COMPLETELY

CAUTION! PLASMA DISPLAYS ARE HEAVY AND EXTREMELY FRAGILE.

1. Attach latching flag to mount using the 10-24 Phillips head screw, Nylon washer, and Nylock nut using the inside set of (see Figure 2). Tighten until friction will hold the flag in place.



LATCH POSITION FOR 42" SCREENS

Figure 2

2. Attach mounting buttons to the display using the M4 screws provided (see Figure 3 & Figure 4).

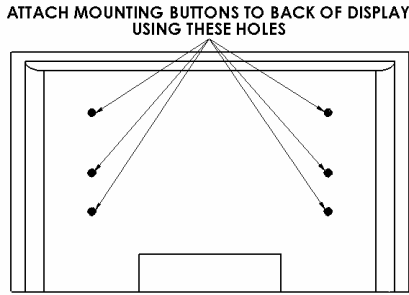


Figure 3

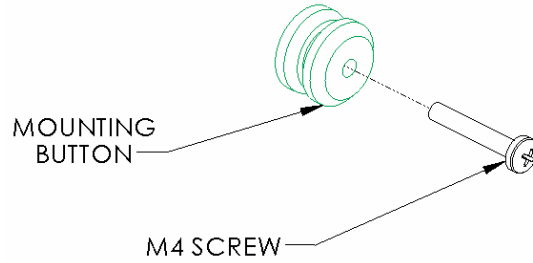


Figure 4

WARNING

ALL COMPONENTS MUST BE SECURELY FASTENED TO A STRUCTURAL MEMBER CAPABLE OF SUPPORTING 4 TIMES THE COMBINED WEIGHT OF ALL COMPONENTS PLUS THE EQUIPMENT BEING MOUNTED. IF IT CANNOT SUPPORT THIS WEIGHT, THE STRUCTURE MUST BE REINFORCED. THE MAXIMUM WEIGHT TO BE INSTALLED ON THE MOUNT IS 175 POUNDS (79.38 KG).

3. Mount plasma static mount to wall using wall studs or supporting framework. The mount, when anchored in place, must be capable of supporting four times the weight of the display and the mount.
4. With the aid of another person, lift the display up to the Chief mount, aligning mounting buttons with the teardrop slots and setting into place (see Figure 5).
5. Raise safety latch to secure the display.

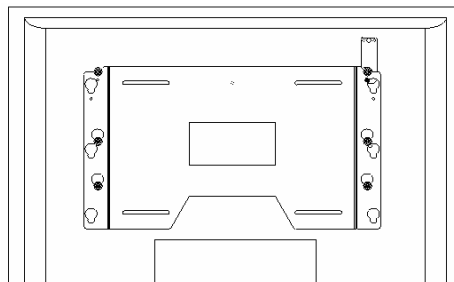


Figure 5