

INSTALLATION INSTRUCTIONS

PSM-2163 PLASMA STATIC MOUNT

Prior to assembly, unpack carton completely and verify contents.

If you are missing any of the following components, please contact Customer Service at 1-800/582-6480

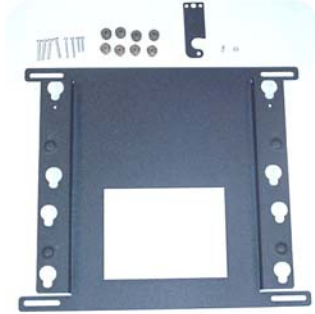


Figure 1

- (1) Plasma Static Mount
- (4) Mounting Buttons-Green
- (4) Mounting Buttons-Yellow
- (1) Nylon Washer
- (2) M4 X 20mm Philips Head Screws

- (1) Latching Flag
- (1) 10-24 Nylock Nut
- (1) 10-24 X .5 Undercut FH Screw
- (4) M5 X 35mm Philips Head Screws
- (2) M4 x 35mm Philips Head Screws

BEFORE PROCEEDING, READ INSTALLATION INSTRUCTIONS COMPLETELY

1. Attach latching flag to mount using the 10-24 Phillips flat head screw, Nylon washer, and Nylock nut (see Figure 2). Tighten until friction will hold the flag in place.

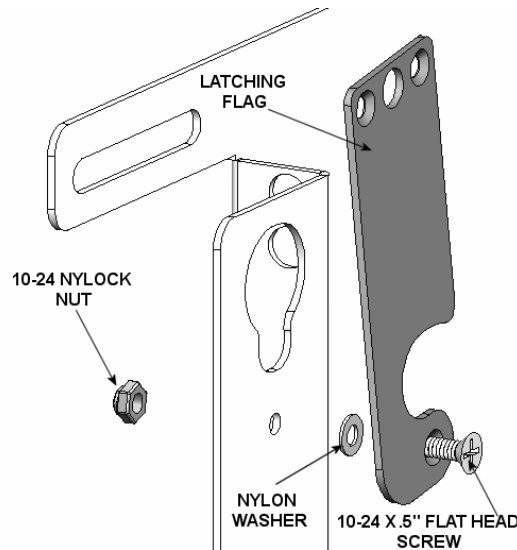


Figure 2



CHIEF MANUFACTURING INC.
1-800-582-6480 952-894-6280 FAX 952-894-6918
8401 EAGLE CREEK PKWY, STE. 700
SAVAGE, MINNESOTA 55378 USA

8805-000058
2003 Chief Manufacturing
www.chiefmfg.com
08/04

WARNING!

ALL COMPONENTS MUST BE SECURELY FASTENED TO A STRUCTURAL MEMBER CAPABLE OF SUPPORTING 4 TIMES THE COMBINED WEIGHT OF ALL COMPONENTS PLUS THE EQUIPMENT BEING MOUNTED. IF IT CANNOT SUPPORT THIS WEIGHT, THE STRUCTURE MUST BE REINFORCED. THE MAXIMUM WEIGHT TO BE INSTALLED ON THE MOUNT IS 175 POUNDS (79.38 KG).

2. Attach mounting buttons to screen using the appropriate screw and button (see Figure 3 and Figure 4).

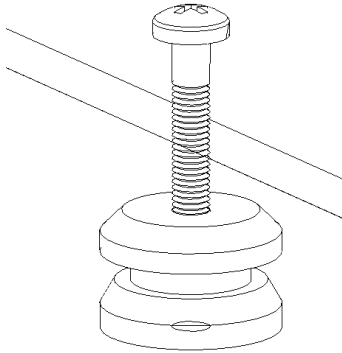


Figure 3

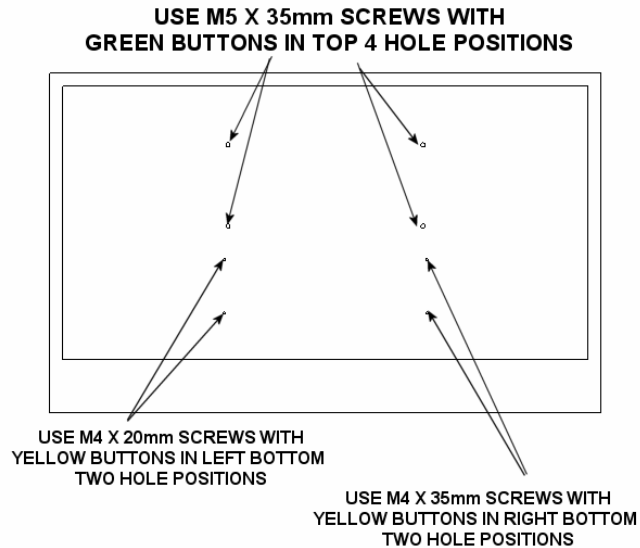


Figure 4

3. Mount plasma static mount onto wall using wall studs or supporting framework. The mount, when anchored in place, must be capable of supporting 4 times the weight of the display and mount.

CAUTION!

PLASMA DISPLAYS ARE HEAVY AND EXTREMELY FRAGILE.

4. With the aid of another person, lift display up to the mount, aligning mounting buttons with the teardrop slots and setting into place.
5. Raise safety latch to secure plasma in place (see Figure 5).

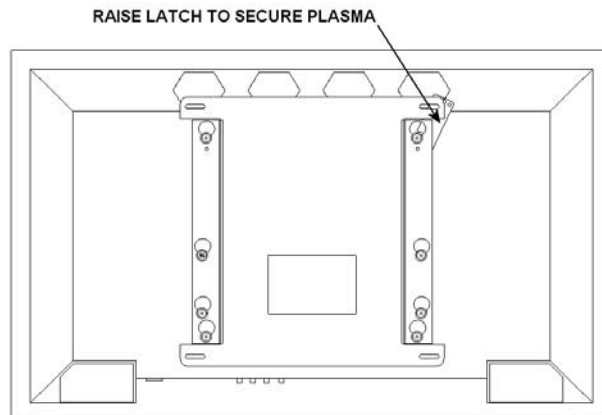


Figure 5