
INSTALLATION INSTRUCTIONS

PLASMA DISPLAY STATIC MOUNT

PSM-2251

Prior to assembly, unpack carton completely and verify contents.
If you are missing any of the following components, please contact Customer Service
at 1-800/582-6480

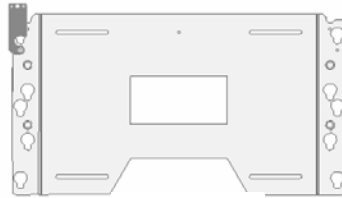


Figure 1

- (1) Plasma Static Mount
- (1) 10-24 Nylock Nut
- (1) 10-24 x .5 Undercut FH Screw
- (1) Nylon Washer

- (1) Latching Flag
- (6) Mounting Buttons-Black
- (6) M8 x 25mm BHCS
- (1) 5mm Allen Wrench

CAUTION! Plasma Displays are Extremely Fragile.

1. Attach latching flag to mount using the 10-24 Phillips head screw, the Nylon washer, and the Nylock nut (see Figure 2). Tighten until friction will hold the flag in place.
2. Attach mounting buttons to display using four M8 x 25 cap screws provided (see Figure 3 & Figure 4).
3. Mount plasma static mount onto wall using wall studs or supporting framework. The mount, when anchored in place, must be capable of supporting four times the weight of the display and mount.

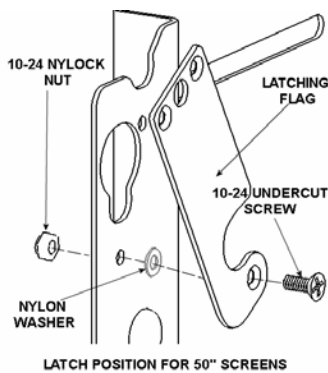


Figure 2

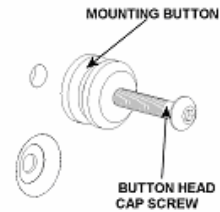


Figure 3



CHIEF MANUFACTURING INC.
1-800-582-6480 952-894-6280 FAX 952-894-6918
8401 EAGLE CREEK PKWY, STE. 700
SAVAGE, MINNESOTA 55378 USA

8805-000065 RevB
2004 Chief Manufacturing
www.chiefmfg.com
09/04

WARNING

ALL COMPONENTS MUST BE SECURELY FASTENED TO A STRUCTURAL MEMBER CAPABLE OF SUPPORTING 4 TIMES THE COMBINED WEIGHT OF ALL COMPONENTS PLUS THE EQUIPMENT BEING MOUNTED. IF IT CANNOT SUPPORT THIS WEIGHT, THE STRUCTURE MUST BE REINFORCED. THE MAXIMUM WEIGHT TO BE INSTALLED ON THE MOUNT IS 175 POUNDS (79.38 KG).

4. With the aid of another person, lift display up to the Chief mount, aligning mounting buttons with the teardrop slots and setting the display into place (see Figure 4).
5. Raise safety latch to secure display (see Figure 5).

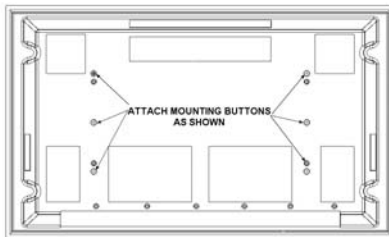


Figure 4



Figure 5