

# INSTALLATION INSTRUCTIONS

## LCD DISPLAY STATIC MOUNT PSM-2300/PSM-2301

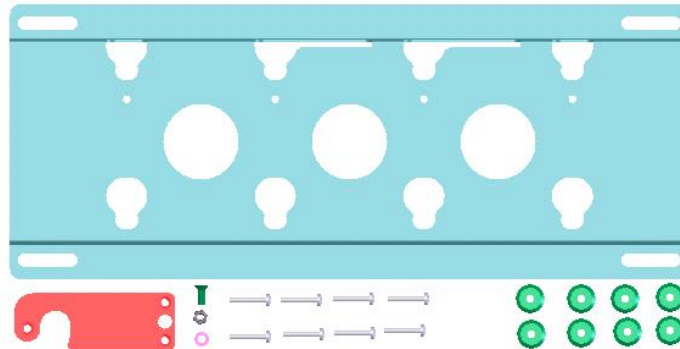


Figure 1

- |  |   |
|--|---|
| (1) LCD Display Static Mount           | (1) 10-24 x .5 Phillips Flat Head Screw |
| (1) Latching Flag                      | (1) Nylon Washer                        |
| (8) M4 x 25mm Phillips Head Cap Screws | (1) 10-24 Nylock Nut                    |
| (8) Mounting Buttons-Yellow            |   |

\*\* PSM-2301 contains four M4 X 25mm Screws and Mounting Buttons

**BEFORE PROCEEDING:** Unpack the carton, verify contents shown in Figure 1 and read installation instructions completely. If you are missing any of the listed components, please contact Customer Service at 1-800/582-6480.

## CAUTION! LCD Displays are Extremely Fragile.

1. Attach latching flag to mount using the 10-24 phillips flat head screw, Nylon washer, and Nylock nut (see Figure 2). Tighten until friction will hold the flag in place. Note: for PSM 2301 the flag should be placed at one of the center holes.
2. Attach mounting buttons to display using M4 x 25 screws provided (see Figure 3 & Figure 4).

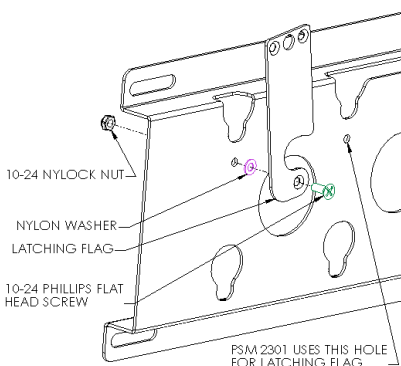


Figure 2

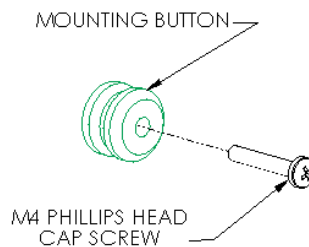


Figure 3

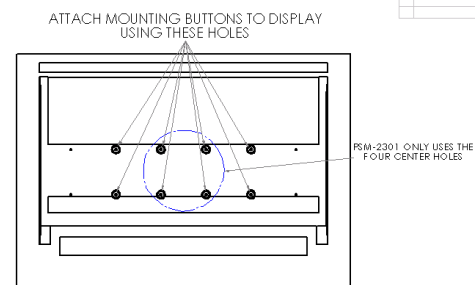


Figure 4



**CHIEF MANUFACTURING INC.**  
1-800-582-6480 952-894-6280 FAX 952-894-6918  
12800 HIGHWAY 13 SOUTH, SUITE 500  
SAVAGE, MINNESOTA 55378 USA

8805-000027 Rev01  
2003 Chief Manufacturing  
[www.chiefmfg.com](http://www.chiefmfg.com)  
11/03

# WARNING

**ALL COMPONENTS MUST BE SECURELY FASTENED TO A STRUCTURAL MEMBER CAPABLE OF SUPPORTING 4 TIMES THE COMBINED WEIGHT OF ALL COMPONENTS PLUS THE EQUIPMENT BEING MOUNTED. IF IT CANNOT SUPPORT THIS WEIGHT, THE STRUCTURE MUST BE REINFORCED.**

**THE MAXIMUM WEIGHT TO BE INSTALLED ON THE MOUNT IS 150 POUNDS (68.04 KG).**

3. Securely anchor the LCD static mount to wall studs or supporting framework (see WARNING).
4. Make sure the flag is lowered to the side before attempting to place the display on the mount.
5. With the aid of another person, lift the display up to the mount, align the mounting buttons with the teardrop slots in the mount, and set the LCD into place (see Figure 5).
6. Position (raise) the flag to secure the LCD.

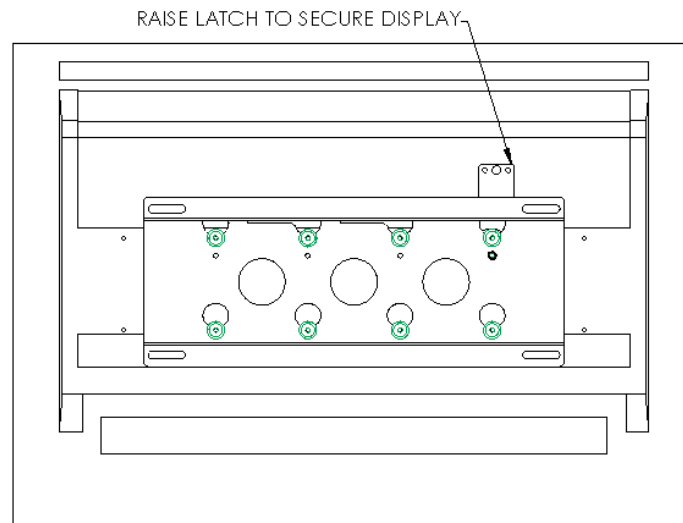


Figure 5