

INSTALLATION INSTRUCTIONS

DISPLAY STATIC MOUNT PSM-2309

Prior to assembly, unpack carton completely and verify contents.
If you are missing any of the following components, please contact Customer Service at 1-800/582-6480.

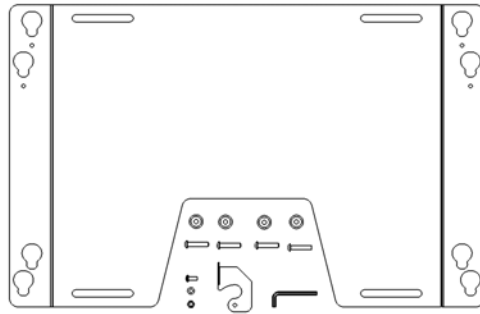


Figure 1

- | | |
|--------------------------------------|--|
| (1) Static Mount | (1) 10-24 x .5 Phillips Head Cap Screw |
| (1) Latching Flag | (1) Nylon Washer |
| (4) M6 X 30mm Button Head Cap Screws | (1) 10-24 Nylock Nut |
| (4) Mounting Buttons | (1) M4 Allen Key |

BEFORE PROCEEDING, READ INSTALLATION INSTRUCTIONS COMPLETELY.

CAUTION! PLASMA DISPLAYS ARE EXTREMELY FRAGILE.

1. Attach latching flag to mount using the 10-24 undercut screw, nylon washer, and Nylock nut (see Figure 2). Tighten until friction will hold the flag in place.
2. Attach mounting buttons to the display using the M6 screws provided (see Figure 3).

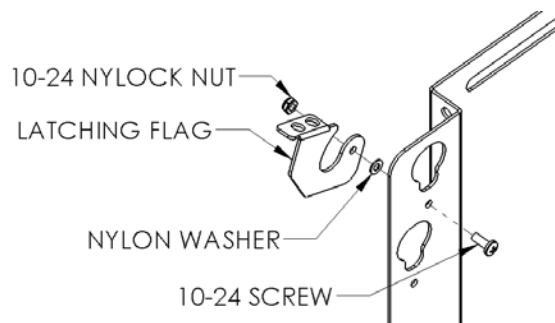


Figure 2

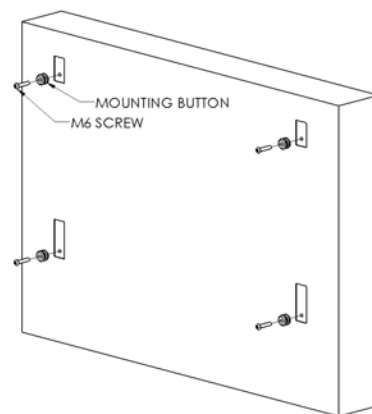


Figure 3

WARNING! ALL COMPONENTS MUST BE SECURELY FASTENED TO A STRUCTURAL MEMBER CAPABLE OF SUPPORTING FOUR TIMES THE COMBINED WEIGHT OF ALL COMPONENTS PLUS THE EQUIPMENT BEING MOUNTED. IF IT CANNOT SUPPORT THIS WEIGHT, THE STRUCTURE MUST BE REINFORCED. THE MAXIMUM WEIGHT TO BE INSTALLED ON THE MOUNT IS 175 POUNDS (79.38 KG).

3. Securely anchor the plasma static mount to wall studs or supporting framework (see WARNING).
4. Make sure the flag is lowered to the side before attempting to place the display on the mount.
5. With the aid of another person, lift the display up to the mount, align the mounting buttons on the display with the teardrop slots in the mount, and set the display into place (see Figure 4).
6. Position (raise) the flag to secure the display. Use padlock (not supplied) to secure flag to mount if needed (see Figure 5).

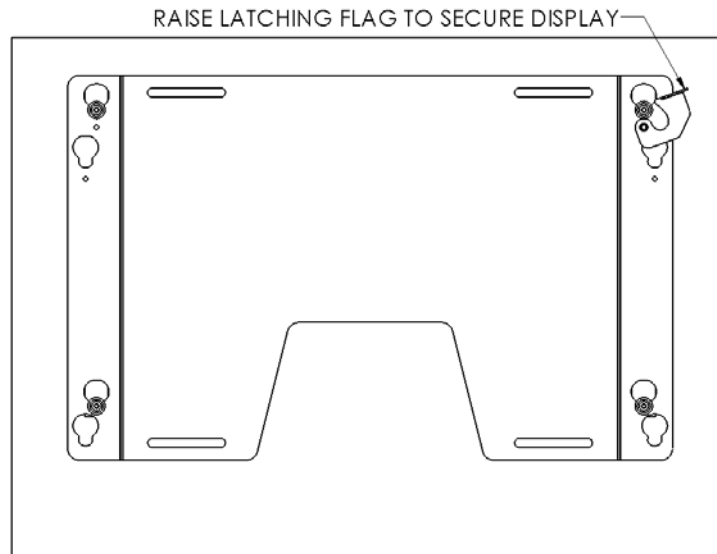


Figure 4

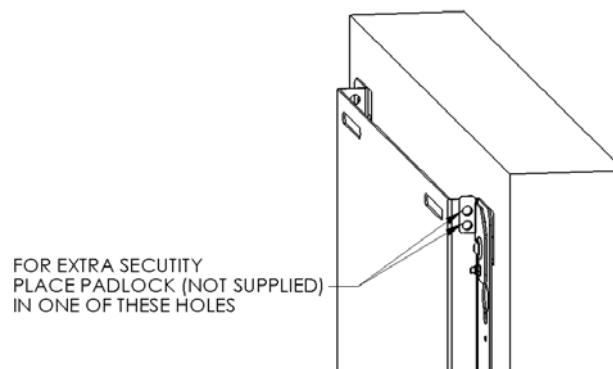


Figure 5