

INSTALLATION INSTRUCTIONS

LCD DISPLAY STATIC MOUNT PSM-2392

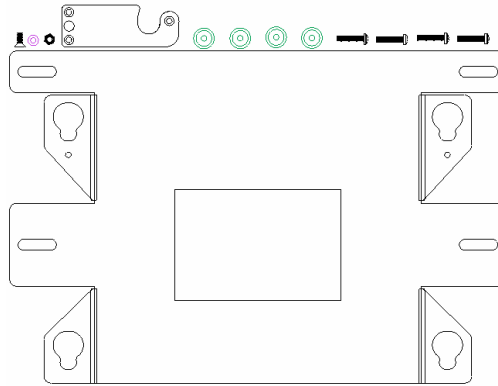


Figure 1

- | | |
|--|--|
| (1) LCD Static Mount | (1) Nylon Washer |
| (1) Latching Flag | (1) 10-24 Nylock Nut |
| (1) 10-24 x .5 Phillips Flat Head Undercut Screw | (4) M5 x 25 mm Phillips Head Cap Screw |
| (4) Mounting Button - Green | |

BEFORE PROCEEDING: Unpack the carton, verify contents shown in Figure 1 and read installation instructions completely. If you are missing any of the listed components, please contact Customer Service at 1-800/582-6480.

CAUTION! LCD Displays are Extremely Fragile.

1. Secure latching flag to mount using the 10-24 undercut screw, Nylon washer, and Nylock nut (see Figure 2). Tighten until friction will hold the flag in place.
2. Attach mounting buttons to back of display using four M5 screws provided (see Figure 3 & Figure 4).

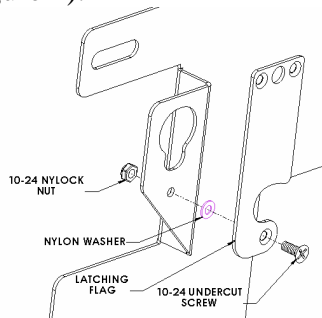


Figure 2

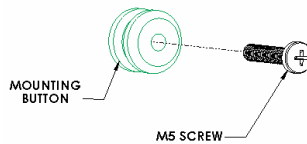


Figure 3

ATTACH MOUNTING BUTTONS TO BACK OF DISPLAY
USING THESE HOLES

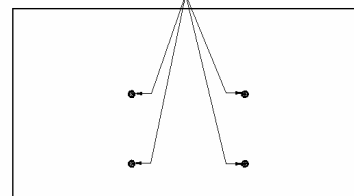


Figure 4



CHIEF MANUFACTURING INC.
1-800-582-6480 952-894-6280 FAX 952-894-6918
8401 EAGLE CREEK PKWY, STE. 700
SAVAGE, MINNESOTA 55378 USA

8805-000074 Rev01
2004 Chief Manufacturing
www.chiefmfg.com
05/04

WARNING

ALL COMPONENTS MUST BE SECURELY FASTENED TO A STRUCTURAL MEMBER CAPABLE OF SUPPORTING 4 TIMES THE COMBINED WEIGHT OF ALL COMPONENTS PLUS THE EQUIPMENT BEING MOUNTED. IF IT CANNOT SUPPORT THIS WEIGHT, THE STRUCTURE MUST BE REINFORCED. THE MAXIMUM WEIGHT TO BE INSTALLED ON THE MOUNT IS 150 POUNDS (68.04 KG).

3. Securely anchor the LCD static mount to wall studs or supporting framework (see WARNING).
4. Make sure the flag is lowered before attempting to place the display on the mount.
5. With the aid of another person, lift the display up to the mount, align the mounting buttons on the display with the teardrop slots in the mount, and set the display into place (see Figure 5).
6. Position (raise) the flag to secure display.

NOTE: If using PAC-130 or PAC-135, attach latching flag using hole on other flange of mount.

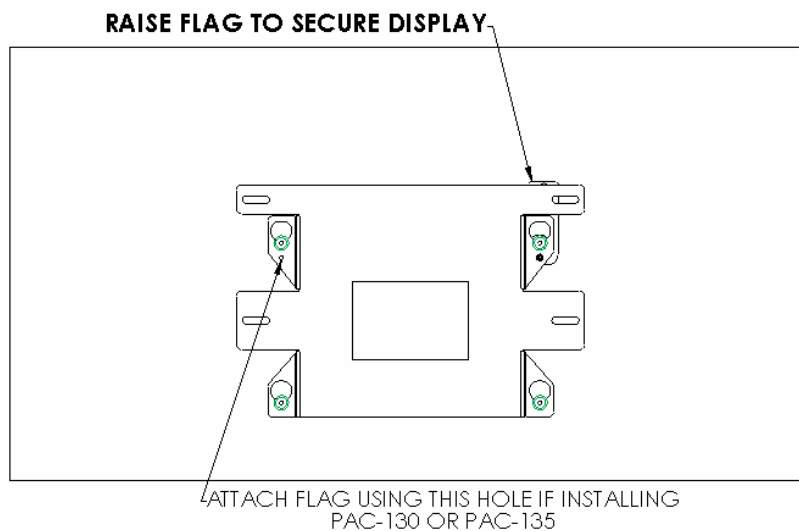


Figure 5