

# INSTALLATION INSTRUCTIONS

## DISPLAY STATIC MOUNT PSM-2397

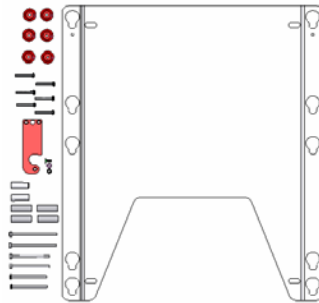


Figure 1

- |  |   |
|--|---|
| (1) Plasma Static Mount                | (6) Mounting Buttons – Black Nylon      |
| (6) M5 x 35mm Phillips Head Cap Screws | (2) .50 x .25 x 1.375" Nylon Spacer     |
| (4) .50 x .26 X 1.625" Nylon Spacer    | (2) M5 x 70mm Phillips Head Cap Screws  |
| (2) M5 x 75mm Socket Head Cap Screws   | (2) M5 x 90mm Socket Head Cap Screws    |
| (1) Nylon Washer                       | (1) Latching Flag                       |
| (1) 10-24 Nylock Nut                   | (1) 10-24 x .5 Flat Head Undercut Screw |
| (1) M4 Allen Key                       |   |

**BEFORE PROCEEDING:** Unpack the carton, verify contents shown in Figure 1 and read installation instructions completely. If you are missing any of the listed components, please contact Customer Service at 1-800/582-6480.

### **CAUTION!** Displays are Extremely Fragile.

1. Attach latching flag to mount using the 10-24 Phillips flat head screw, Nylon washer, and Nylock nut (see Figure 2 & Figure 3). Use proper holes depending on type of installation. Tighten until friction will hold the flag in place.

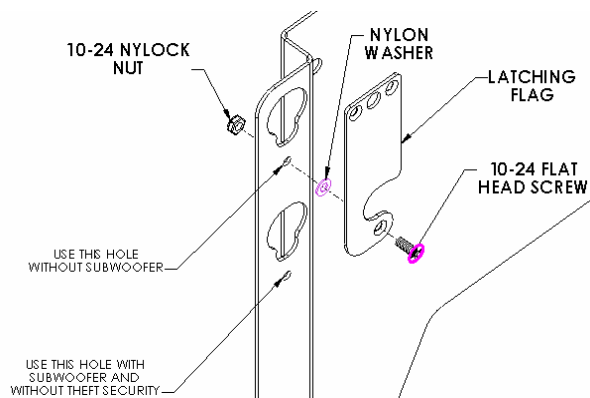


Figure 2

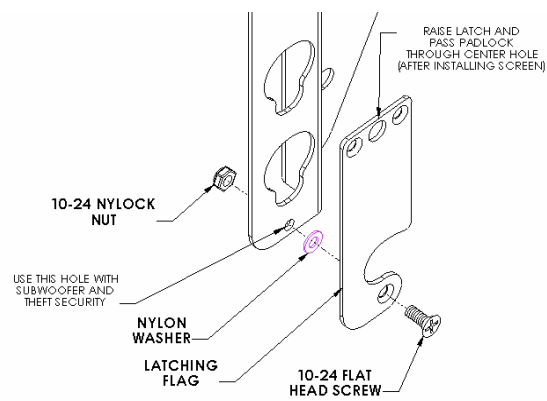


Figure 3

# WARNING

ALL COMPONENTS MUST BE SECURELY FASTENED TO A STRUCTURAL MEMBER CAPABLE OF SUPPORTING 4 TIMES THE COMBINED WEIGHT OF ALL COMPONENTS PLUS THE EQUIPMENT BEING MOUNTED. IF IT CANNOT SUPPORT THIS WEIGHT, THE STRUCTURE MUST BE REINFORCED. THE MAXIMUM WEIGHT TO BE INSTALLED ON THE MOUNT IS 175 POUNDS (79.38 KG).

2. Remove screws securing table stand to display and remove table stand from display (see Figure 4 & Figure 5).

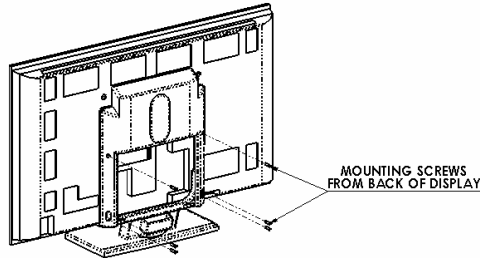


Figure 4

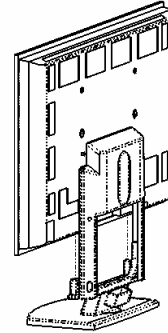


Figure 5

**NOTE: If installing display on Chief Mount without subwoofer, proceed to step # 6 (Page 3).**

3. Remove four socket head screws, using M4 Allen key supplied, and subwoofer from table stand.
4. Secure subwoofer to back of display by sliding uprights into holes in display (see Figure 6 & Figure 7).

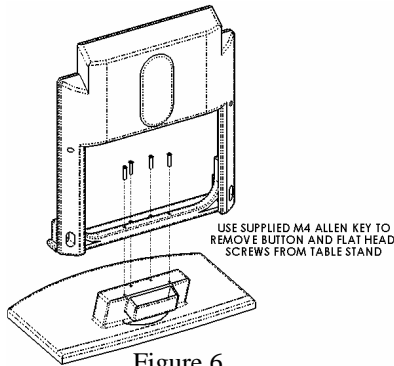


Figure 6

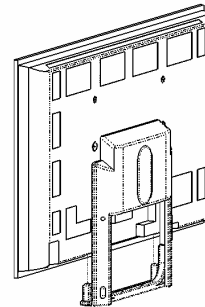


Figure 7

5. Using M5 screws and nylon spacers, install mounting buttons on back of display (See Figure 8 & Figure 9). **Proceed to step 7 (page 3).**

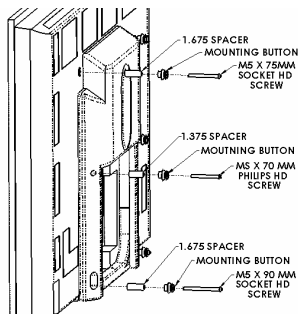


Figure 8

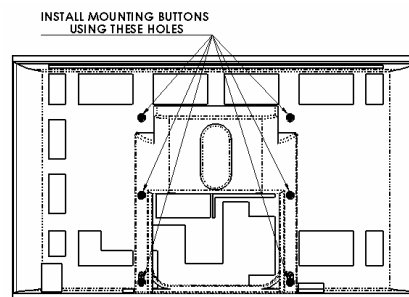


Figure 9

# INSTALLATIONS WITHOUT SUBWOOFER

6. Using short M5 screws, install mounting buttons on back of display (See Figure 10 & Figure 11).

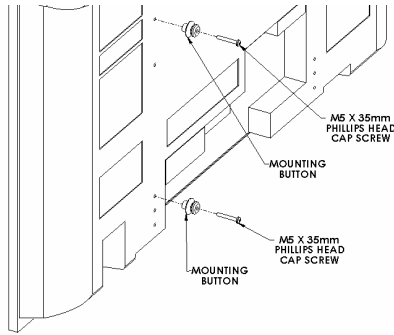


Figure 10

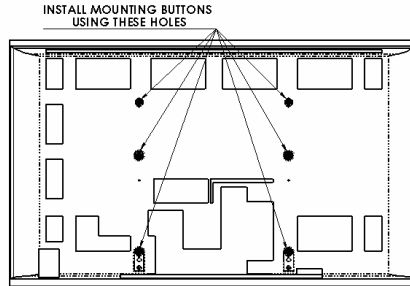


Figure 11

## FOR ALL INSTALLATIONS

7. Securely anchor the static mount to wall studs or supporting framework (see WARNING).
8. Make sure the flag is lowered before attempting to place the plasma on the mount.
9. With the aid of another person, lift the plasma display up to the mount, align the mounting buttons on the plasma with the teardrop slots in the mount, and set the plasma into place (see Figure 12 or Figure 13).
10. Position (raise) the flag to secure the plasma.

### With Subwoofer

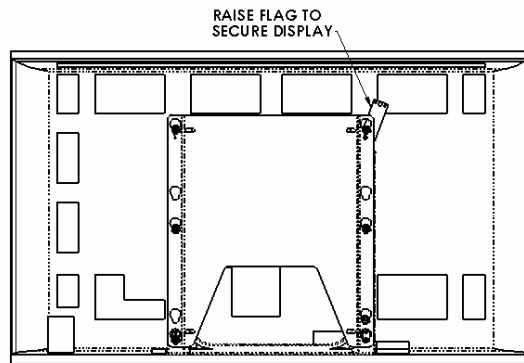


Figure 12

### Without Subwoofer

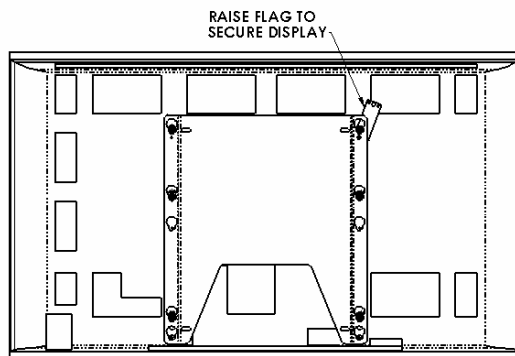


Figure 13