

INSTALLATION INSTRUCTIONS

DISPLAY STATIC MOUNT

PSM-2430

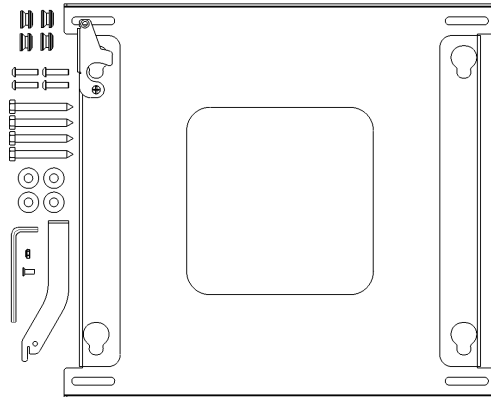


Figure 1

- | | |
|--------------------------------------|----------------------|
| (1) Static Mount Bracket | (4) Mounting Buttons |
| (4) M8 x 25mm Button Head Cap Screws | (4) 5/16 x 2-1/2\"/> |
| (4) 5/16\"/> | (1) Flag Extender |
| (1) 10-24 x 1/2\"/> | (1) 10-24 Nylock Nut |
| (1) M5 Hex Key | |

BEFORE PROCEEDING: Unpack the carton, verify contents shown in Figure 1 and read installation instructions completely. If you are missing any of the listed components, please contact Customer Service.

CAUTION! Displays are Extremely Fragile.

1. Attach latching flag extender using the 10-24 Phillips flat head screw, and Nylock nut (see Figure 2). The flag extender is optional and may not be necessary for all installations.

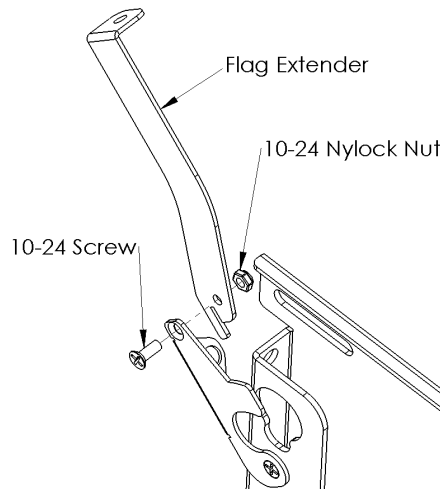


Figure 2

WARNING

ALL COMPONENTS MUST BE SECURELY FASTENED TO A STRUCTURAL MEMBER CAPABLE OF SUPPORTING 4 TIMES THE COMBINED WEIGHT OF ALL COMPONENTS PLUS THE EQUIPMENT BEING MOUNTED. IF IT CANNOT SUPPORT THIS WEIGHT, THE STRUCTURE MUST BE REINFORCED. THE MAXIMUM WEIGHT TO BE INSTALLED ON THE MOUNT IS 215 POUNDS (97.52 KG).

2. Attach mounting buttons to display using four M8 screws provided (see Figure 3 & Figure 4).

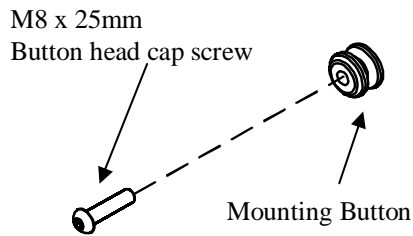


Figure 3

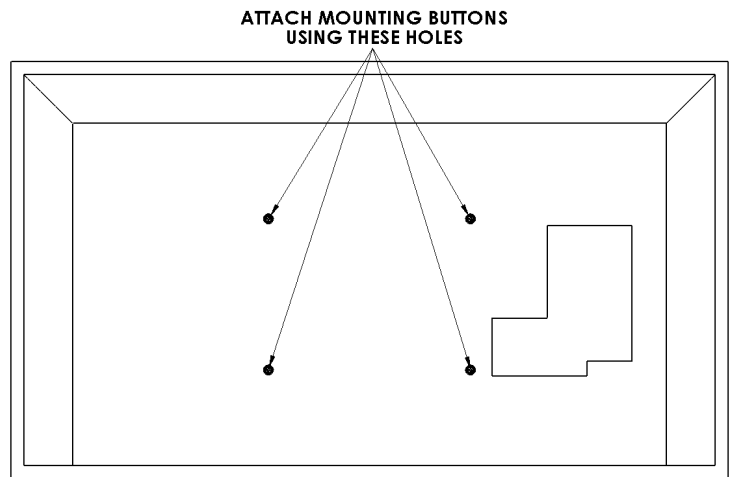


Figure 4

3. Securely anchor the static mount to wall studs or supporting framework using lag screws and flat washers. (See WARNING).
4. Make sure the flag is lowered before attempting to place the screen on the mount.
5. With the aid of another person, lift the display up to the mount, align the mounting buttons on the screen with the teardrop slots in the mount, and set the screen into place (see Figure 5).
6. Position (raise) the flag to secure the display.

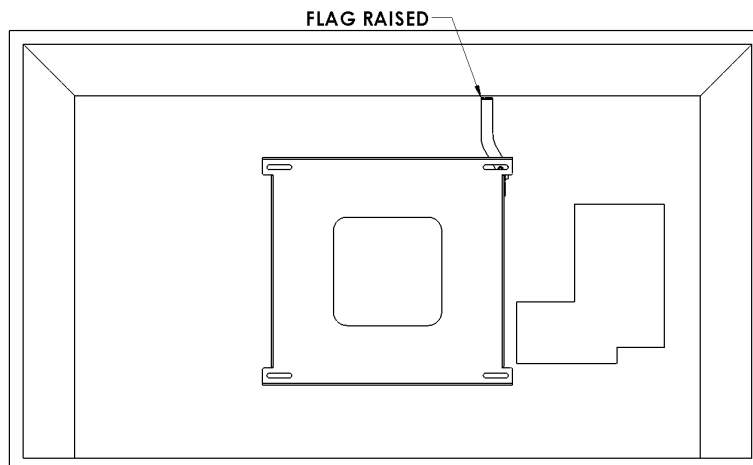


Figure 5