



INSTALLATION INSTRUCTIONS

PSMH-2046 PLASMA DISPLAY STATIC MOUNT

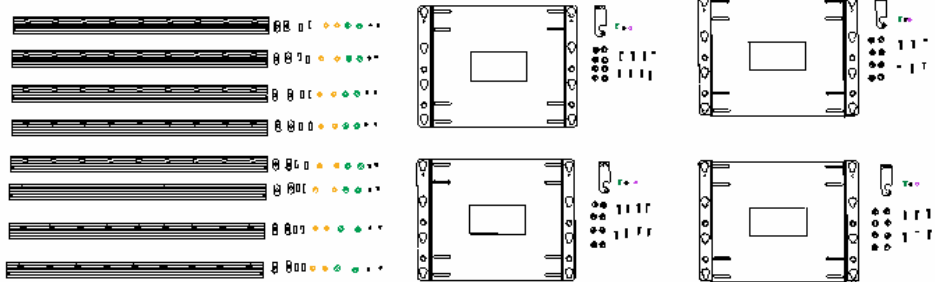


Figure 1

(4) PSM-2042 Static Wall Mount for 42" NEC
PSM-2042 (each)

(1) Plasma Static Mount
(1) Latching Flag
(8) Mounting Buttons-Yellow
(1) Nylon Washer

PAC-126 (each)

(2) Lateral Shift Extrusion
(4) Washer, 5/16
(4) Lock Washer, 5/16
(4) Threaded Stud, 5/16-18

(4) PAC-126 36" Lateral Shift Accessory

(1) 10-24 x .5 FH Undercut Screw
(1) 10-24 Nylock Nut
(8) M4 x 25mm Phillips Head Cap Screws

(4) Hex Nut, 5/16-18
(4) T-slot Nut, 5/16-18
(4) Panhead Screw, self tapping #8 x .25

CAUTION!

BEFORE PROCEEDING: Unpack each carton; verify contents shown in Figure 1. If you are missing any of the listed components, please contact Customer Service at 1-800/582-6480. Disregard individual installation instructions in PSM-2042s and PAC-126s. Follow this instruction manual for installation of PSMH-2046 for your NEC 84" screen array.

PLASMA DISPLAYS ARE EXTREMELY FRAGILE.

WARNING!

Your mounting structure must be capable of supporting 4 times the weight of the plasma and the mount.

For each of your NEC 42" Plasma Displays.

1. Attach latching flag to PSM (see Figure 2) and tighten the nut and screw until friction will hold the flag in place.
2. Attach mounting buttons to display using one Phillips head screw per mounting button (see Figure 3).

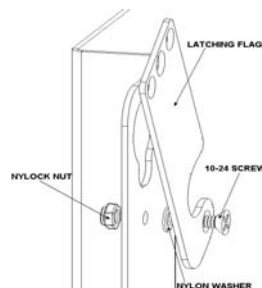


Figure 2

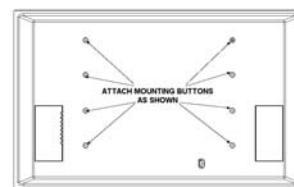


Figure 3

Installing Lateral Shift Extrusions on Wall

1. Install the top two lateral shift extrusions to the wall; drill about 3" below the level you would like the top of the screen to sit, making sure both are level and allow a T-slot Nut to slide freely between each extrusion (see Figure 4). You may use the existing slots located in the extrusions for installation. If necessary, drill holes in the aluminum extrusion using the grooves located between each slot.

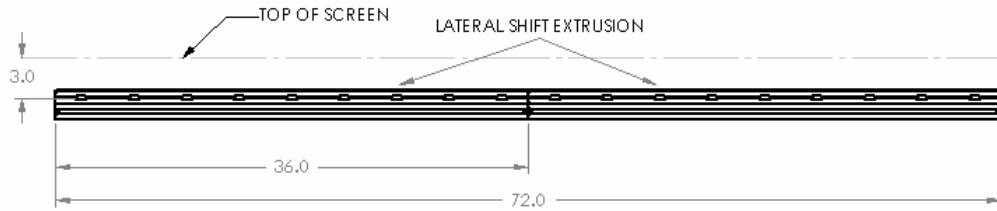


Figure 4

2. Install the remaining six lateral shift extrusions (see Figure 5).

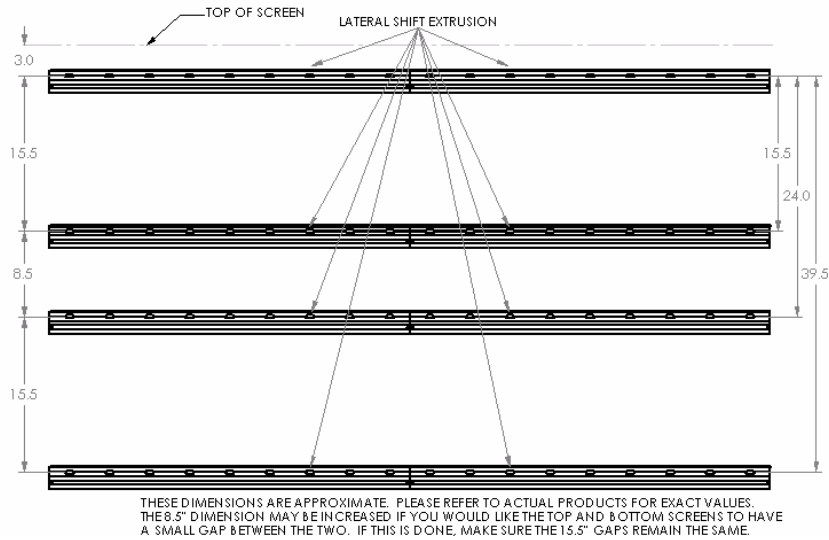


Figure 5

3. Place four T-slot nuts and threaded studs in each extrusion pair (see Figure 6).

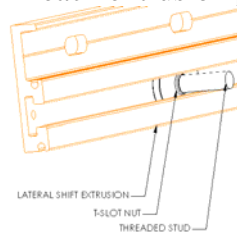


Figure 6

4. Install #8 x .25" self-tapping screws in outside holes of extrusions to retain T-slot assemblies in track (see Figure 7 & Figure 8). Disregard the eight extra screws.

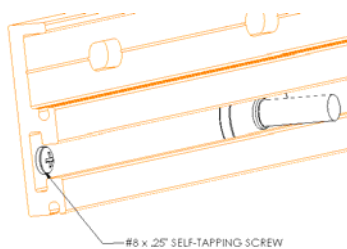


Figure 7

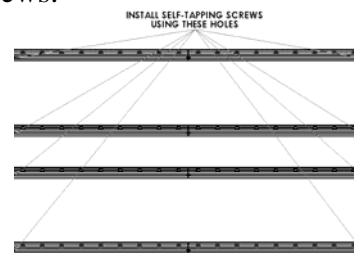


Figure 8

- Install PSM-2042 brackets using regular and lock washers as well as 5/16-18 nuts, making sure to not over tighten the nuts since you will want to slide the screens together to form the 84" array (see Figure 9 & Figure 10).

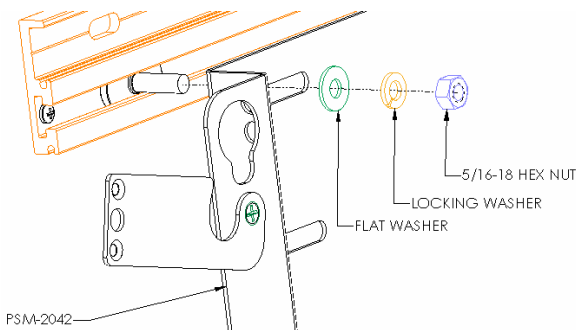


Figure 9

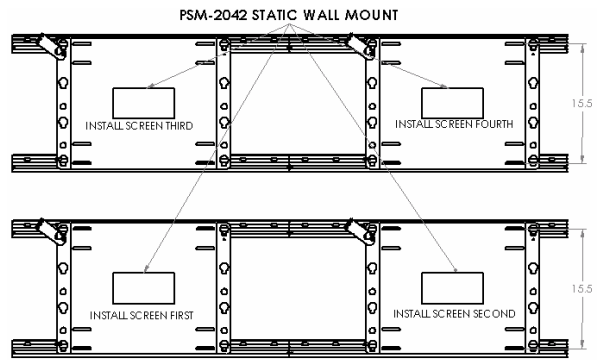


Figure 10

- Make sure the latching flaps are lowered to the side before attempting to place display on mount.
- With the aid of another person, lift the first display up to the lower left mount. Align the mounting buttons on the display with the teardrop slots in the mount and set the display into place (see Figure 10).
- Install remaining displays in order shown in Figure 10.
- Raise the latching flaps to secure displays.
- Slide displays together to form 84" diagonal array (see Figure 11).

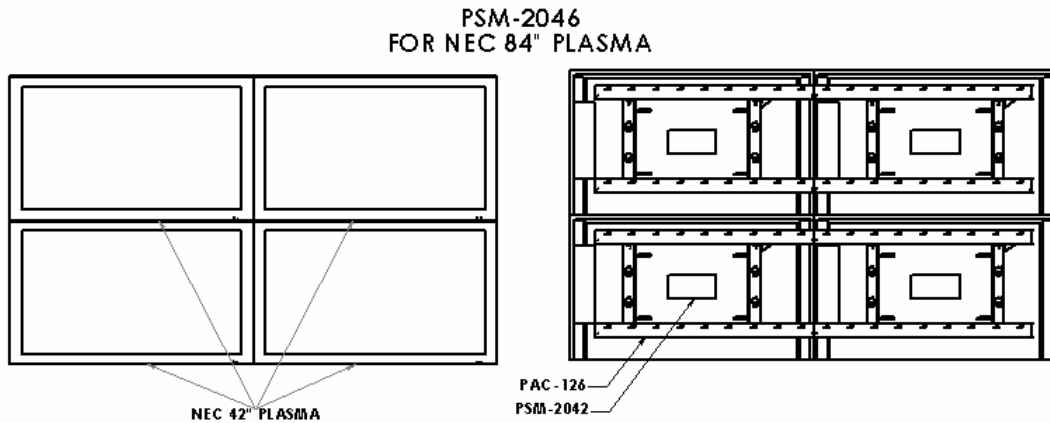


Figure 11