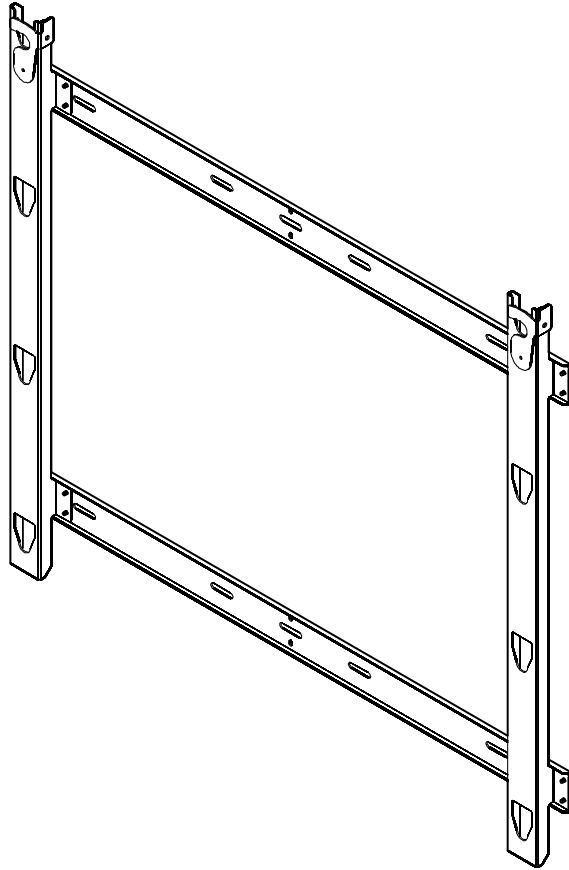


---

# INSTALLATION INSTRUCTIONS

---



---

## Large Flat Panel Static Wall Mount

---

**DISCLAIMER**

Milestone AV Technologies and its affiliated corporations and subsidiaries (collectively "Milestone"), intend to make this manual accurate and complete. However, Milestone makes no claim that the information contained herein covers all details, conditions or variations, nor does it provide for every possible contingency in connection with the installation or use of this product. The information contained in this document is subject to change without notice or obligation of any kind. Milestone makes no representation of warranty, expressed or implied, regarding the information contained herein. Milestone assumes no responsibility for accuracy, completeness or sufficiency of the information contained in this document.

Chief® is a registered trademark of Milestone AV Technologies. All rights reserved.

**! IMPORTANT WARNINGS AND CAUTIONS!**

**! WARNING:** A WARNING alerts you to the possibility of serious injury or death if you do not follow the instructions.

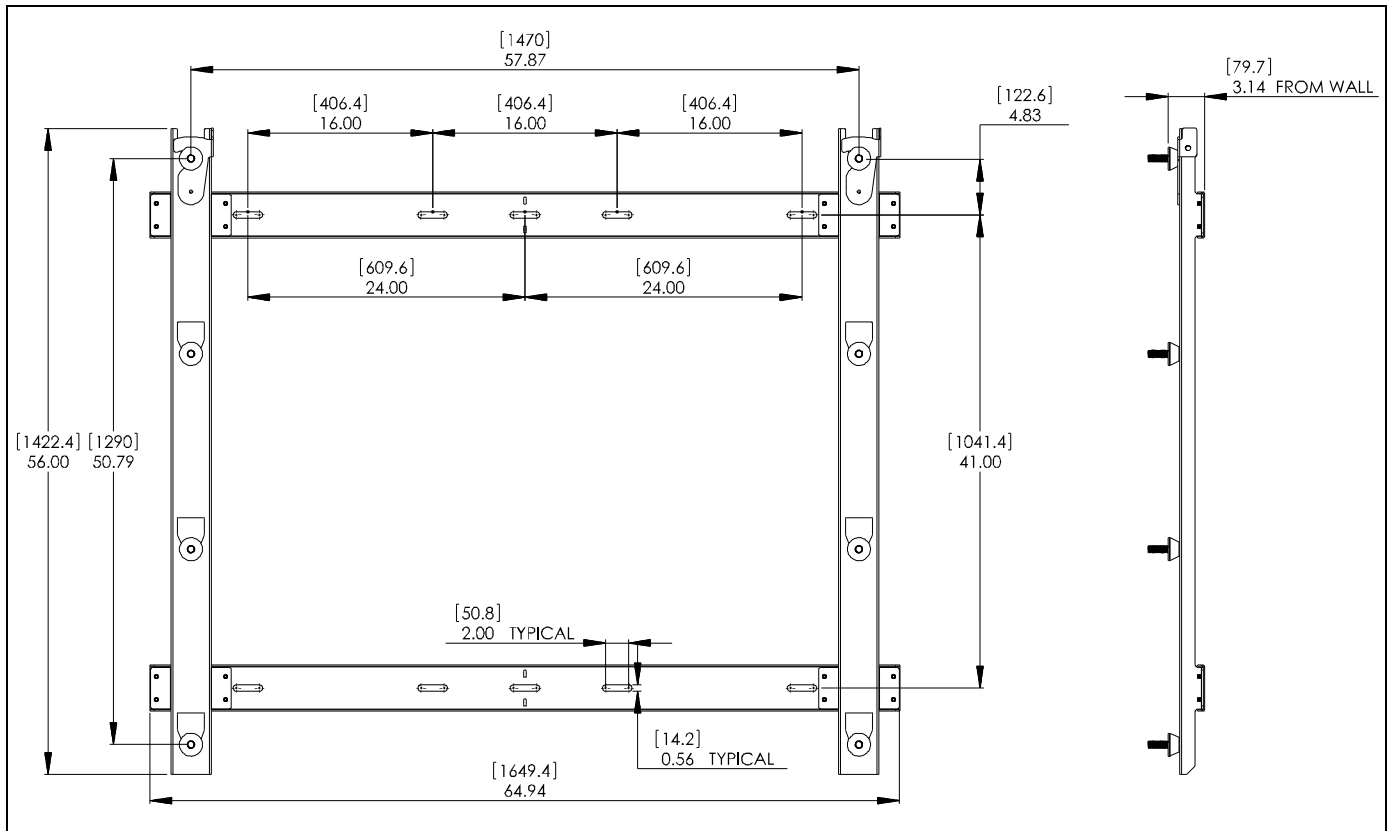
**! CAUTION:** A CAUTION alerts you to the possibility of damage or destruction of equipment if you do not follow the corresponding instructions.

**! WARNING:** Failure to read, thoroughly understand, and follow all instructions can result in serious personal injury, damage to equipment, or voiding of factory warranty! It is the installer's responsibility to make sure all components are properly assembled and installed using the instructions provided.

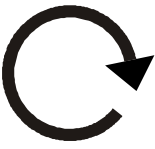

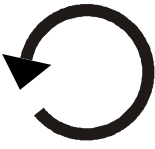



**! WARNING:** Failure to provide adequate structural strength for this component can result in serious personal injury or damage to equipment! It is the installer's responsibility to make sure the structure to which this component is attached can support a minimum of 2,000 lbs (907.185 kg). Reinforce the structure as required before installing the component. The wall to which the mount is being attached may have a maximum drywall thickness of 5/8" (1.6cm).

**! WARNING:** Exceeding the weight capacity can result in serious personal injury or damage to equipment! It is the installer's responsibility to make sure the combined weight of all components attached to the mount does not exceed 430 lbs (195.04 kg).

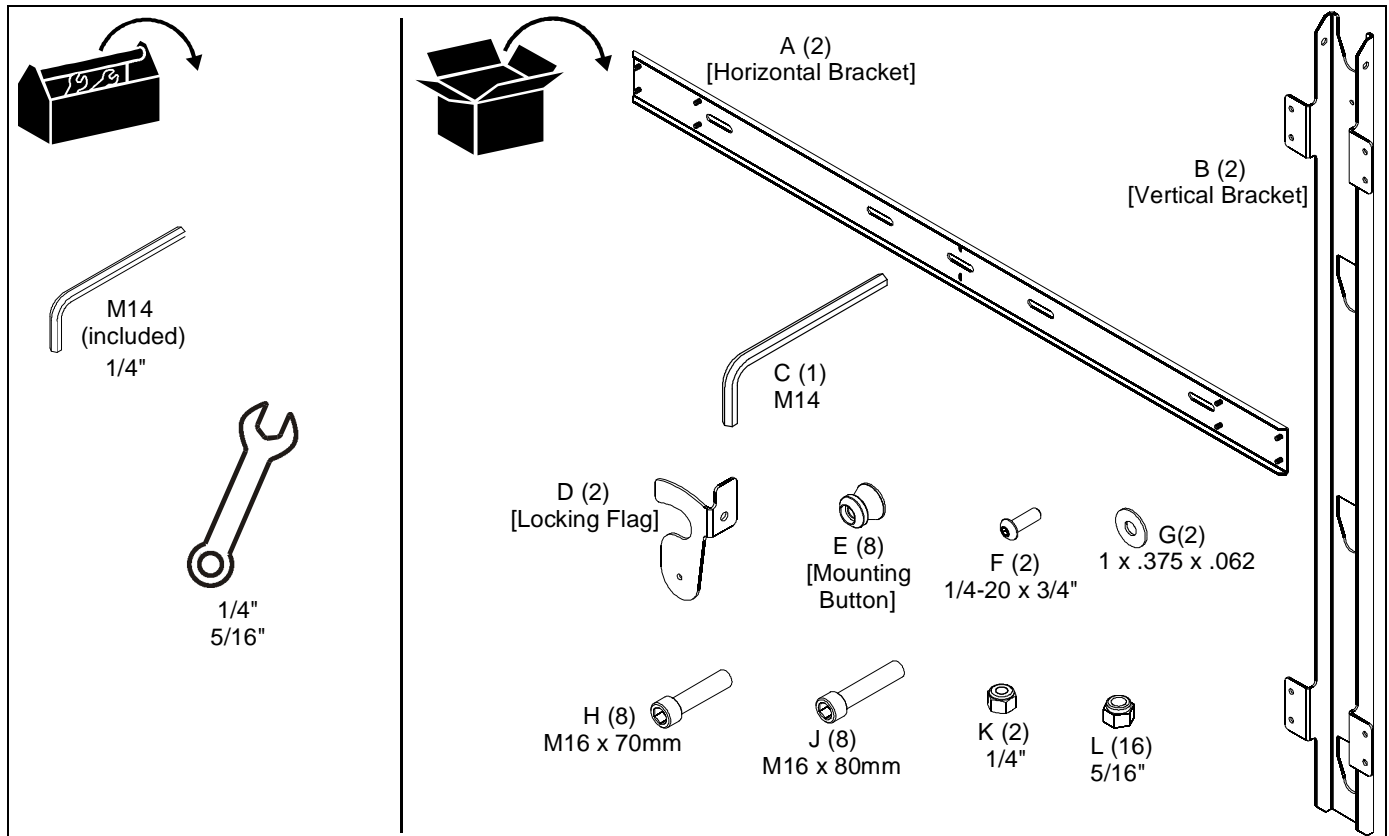
**DIMENSIONS**



**LEGEND**

	<p><b>Tighten Fastener</b></p> <p>Apretar elemento de fijación</p> <p>Befestigungsteil festziehen</p> <p>Apertar fixador</p> <p>Serrare il fissaggio</p> <p>Bevestiging vastdraaien</p> <p>Serrez les fixations</p>		<p><b>Pencil Mark</b></p> <p>Marcar con lápiz</p> <p>Stiftmarkierung</p> <p>Marcar com lápis</p> <p>Segno a matita</p> <p>Potloodmerkteken</p> <p>Marquage au crayon</p>
	<p><b>Loosen Fastener</b></p> <p>Aflojar elemento de fijación</p> <p>Befestigungsteil lösen</p> <p>Desapertar fixador</p> <p>Allentare il fissaggio</p> <p>Bevestiging losdraaien</p> <p>Desserrez les fixations</p>		<p><b>Drill Hole</b></p> <p>Perforar</p> <p>Bohrloch</p> <p>Fazer furo</p> <p>Praticare un foro</p> <p>Gat boren</p> <p>Percez un trou</p>
	<p><b>Open-Ended Wrench</b></p> <p>Destornillador Phillips</p> <p>Kreuzschlitzschraubendreher</p> <p>Chave de fendas Phillips</p> <p>Cacciavite a stella</p> <p>Kruiskopschroevendraaier</p> <p>Tournevis à pointe cruciforme</p>		<p><b>Hex-Head Wrench</b></p> <p>Ajustar</p> <p>Einstellen</p> <p>Ajustar</p> <p>Regolare</p> <p>Afstellen</p> <p>Ajuster</p>

**TOOLS FOR INSTALLATION / PARTS**



## ASSEMBLY AND INSTALLATION

### Mount Installation

1. Attach locking flag (D) to vertical bracket (B) using one 1/4-20 x 3/4" button head cap screw (F), one 1 x .375 x .062" nylon spacer (G), and one 1/4" lock nut (K) through lower hole on locking flag and upper hole on vertical bracket. Repeat for remaining vertical bracket (B). (See Figure 1)

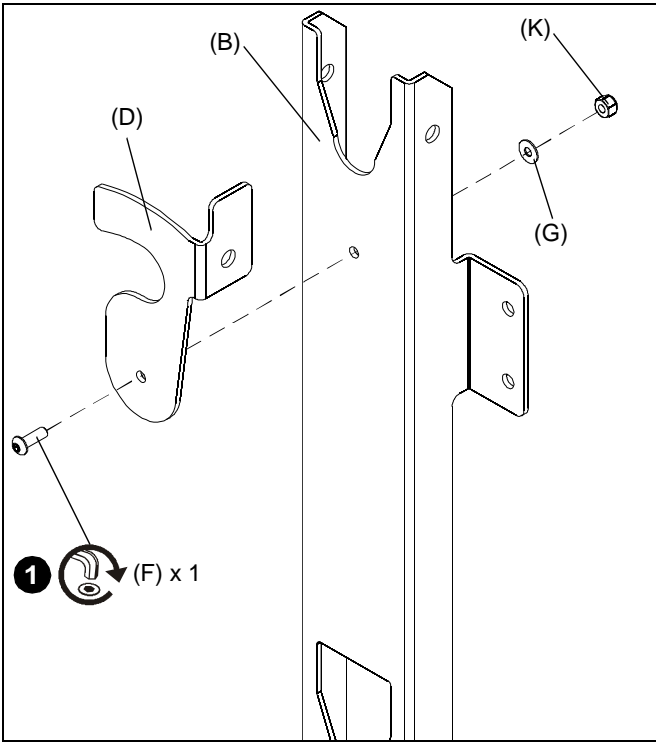


Figure 1



**WARNING:** IMPROPER INSTALLATION CAN LEAD TO DISPLAY FALLING CAUSING SERIOUS PERSONAL INJURY OR DAMAGE TO EQUIPMENT! It is the installer's responsibility to make sure the structure to which this mount is being attached can support a minimum of 2,000 lbs (907.18kg). Reinforce the structure as required before installing this mount.

2. Place upper horizontal bracket (A) against wall in desired installation location. (See Figure 2)
3. Level and adjust horizontal position making certain slots in upper horizontal bracket are properly positioned over studs.
4. Using a pencil or similar marking tool, mark the location of mounting holes in bracket onto surface. (See Figure 2)
5. Hang two vertical brackets (B) from upper horizontal bracket to determine mounting position for lower horizontal bracket (A). (See Figure 2)
6. Raise lower horizontal bracket (A) against wall in desired installation location using vertical brackets to determine distance from upper horizontal bracket. (See Figure 2)
7. Mark the location of mounting holes for the lower horizontal bracket onto surface. (See Figure 2)

8. Drill eight 1/4" pilot holes at marked locations. (See Figure 2)

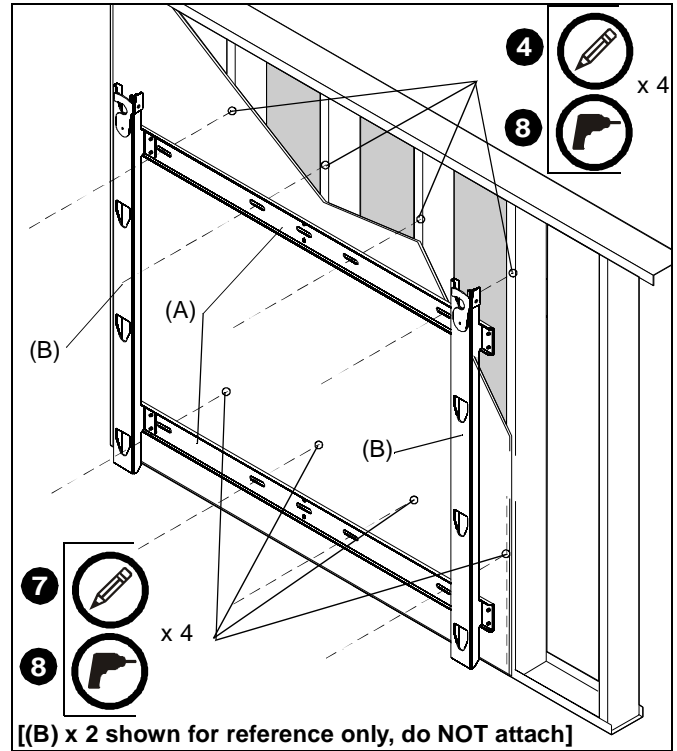


Figure 2

9. Secure horizontal brackets (A) to studs using appropriate hardware for mounting surface (not provided). (See Figure 3)

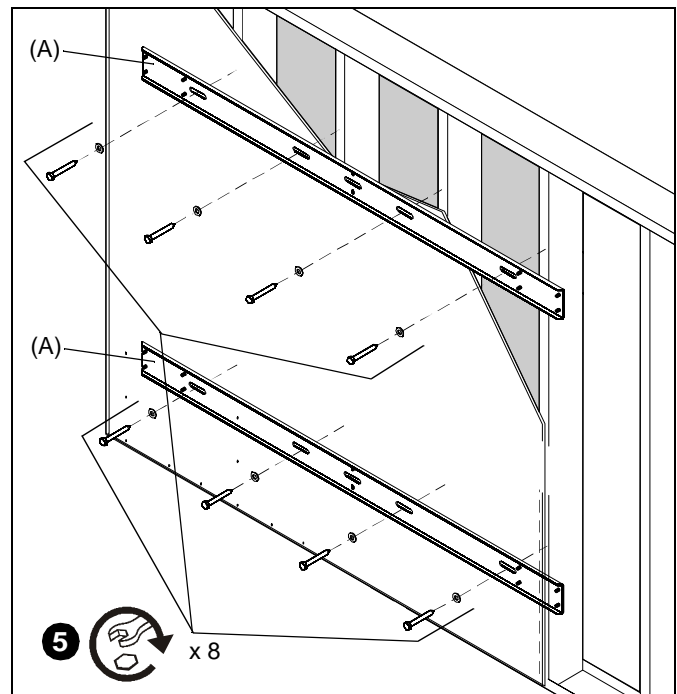


Figure 3

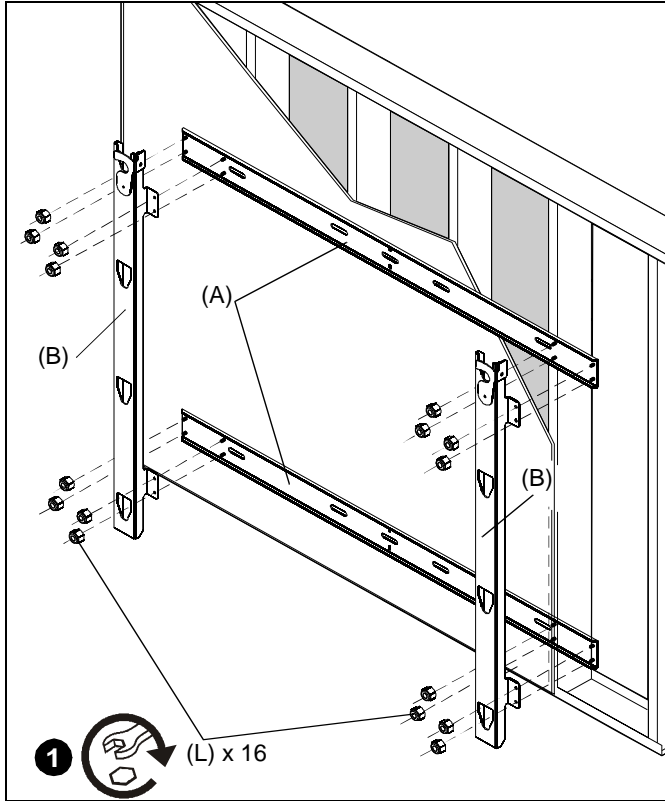


Figure 4

10. Attach two vertical brackets (B) to two horizontal brackets (A) using sixteen 5/16" nylon lock nuts (L). (See Figure 4)

**Display Installation**

**⚠ WARNING:** IMPROPER INSTALLATION CAN LEAD TO MOUNT FALLING CAUSING SERIOUS PERSONAL INJURY OR DAMAGE TO EQUIPMENT! DO NOT substitute hardware.

1. Move locking flags (D) on mount to the OPEN position. (See Figure 5)

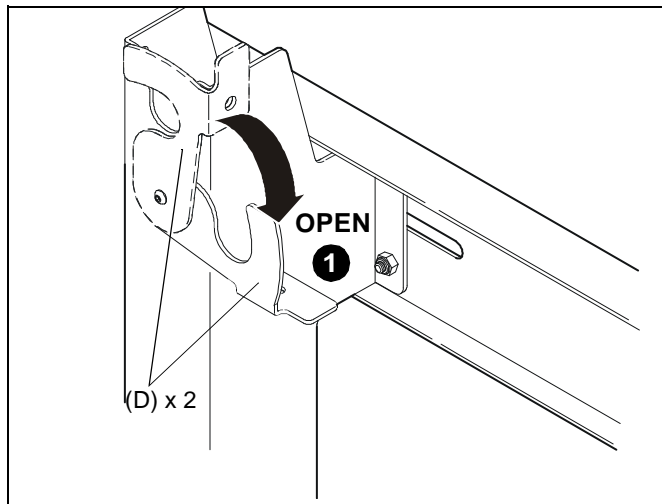


Figure 5

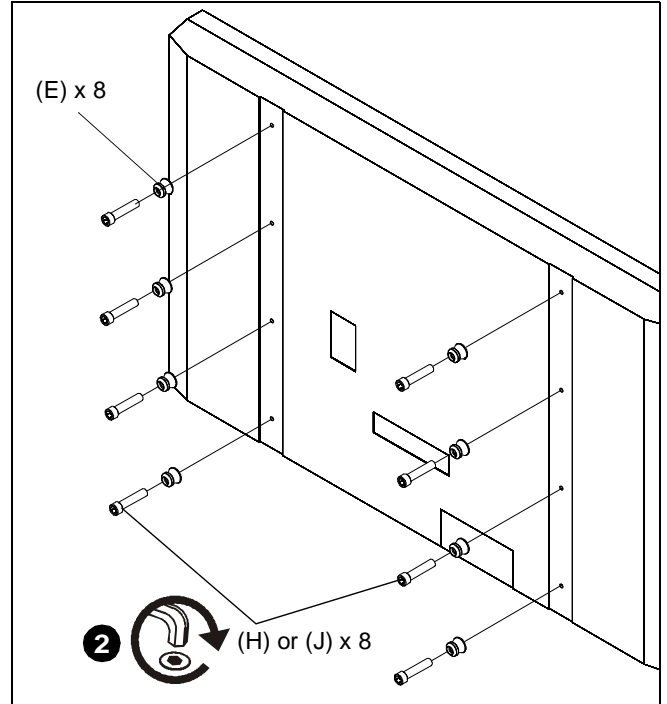
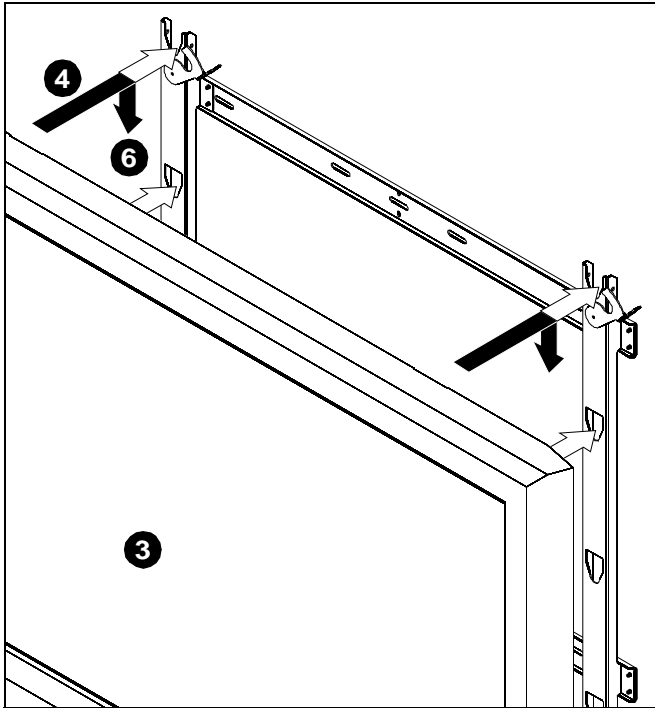


Figure 6

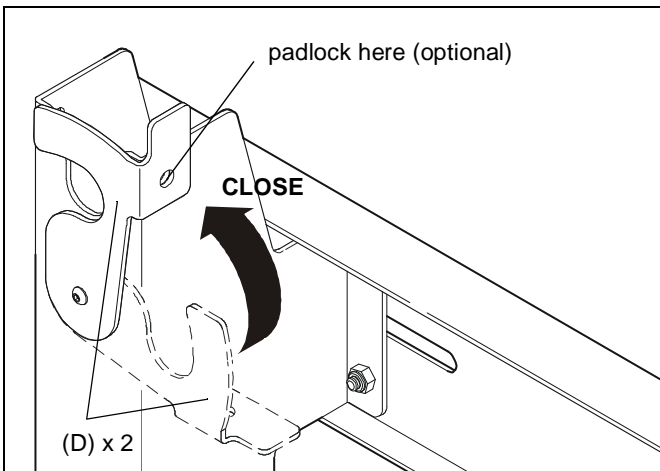
**⚠ WARNING:** IMPROPER INSTALLATION CAN LEAD TO DISPLAY FALLING CAUSING SERIOUS PERSONAL INJURY OR DAMAGE TO EQUIPMENT! Using screws of improper size may damage your display! Properly sized screws will easily and completely thread into display mounting holes.

2. Install eight mounting buttons (E) onto display using eight M16 x 70mm (H) or M16 x 80mm (J) socket head cap screws (dependent on depth of display mounting holes) and the M14 hex wrench (C). (See Figure 6)
3. Lift display following lifting instructions provided by display manufacturer.
4. Align mounting buttons on display with eight teardrop mounting holes in mount. (See Figure 7)



**Figure 7**

5. Move display forward until recessed area of mounting buttons is positioned over lower area of teardrop mounting holes. (See Figure 7)
6. Lower display until recess area of mounting buttons is seated in lower area of teardrop mounting holes. (See Figure 7)
7. Move locking flags (D) to CLOSED position and lock if desired. (See Figure 8)



**Figure 8**

8. Route wires and cables to display.





Our Mounts. **Your Vision.**

Chief Manufacturing, a products division  
of Milestone AV Technologies

8805-002001 Rev00

©2009 Milestone Technologies, a  
Duchossois Group Company

[www.chiefmfg.com](http://www.chiefmfg.com)

06/09

**USA/International** A 8401 Eagle Creek Parkway, Savage, MN 55378  
P 800.582.6480 / 952.894.6280  
F 877.894.6918 / 952.894.6918

**Europe** A Fellenoord 130 5611 ZB EINDHOVEN, The Netherlands  
P +31 (0)40 2668620  
F +31 (0)40 2668615

**Asia Pacific** A Room 24F, Block D, Lily YinDu International Building  
LuoGang, BuJi Town, Shenzhen, CHINA.  
深圳市布吉罗岗村百合银都国际大厦D栋24F  
P +86-755-8996 9226  
F +86-755-8996 9217

