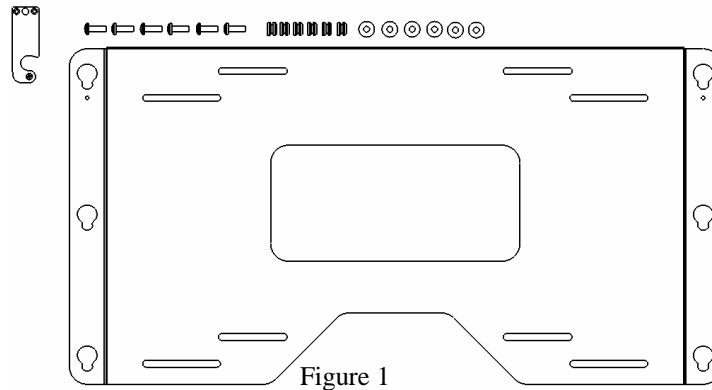


INSTALLATION INSTRUCTIONS

FLAT PANEL DISPLAY STATIC MOUNT PSMH-2265



- | | |
|----------------------------------------|------------------------------------------|
| (1) Plasma Display Static Mount | (1) 10-24 x .5 Phillips Flat Head Screw |
| (1) Latching Flag | (1) Nylon Washer |
| (6) M8 x 35mm Phillips Head Cap Screws | (1) 10-24 Nylock Nut |
| (6) Mounting Buttons | (6) Nylon spacers .875OD x .33ID x .375H |

BEFORE PROCEEDING: Unpack the carton, verify contents shown in Figure 1 and read installation instructions completely. If you are missing any of the listed components, please contact Customer Service at 1-800/582-6480.

CAUTION! Flat Panel Displays are Extremely Fragile.

1. Attach latching flag to mount using the 10-24 Phillips flat head screw, Nylon washer, and Nylock nut (see Figure 2). Tighten until friction will hold the flag in place.
2. Attach mounting buttons to display using the M8 screws and nylon spacer provided. (see Figure 3 & Figure 4).

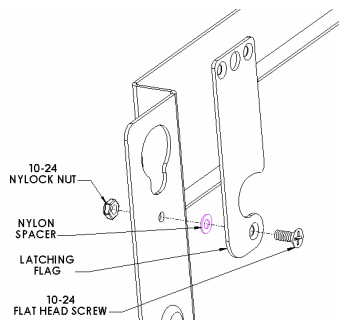


Figure 2

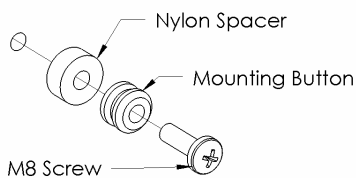


Figure 3

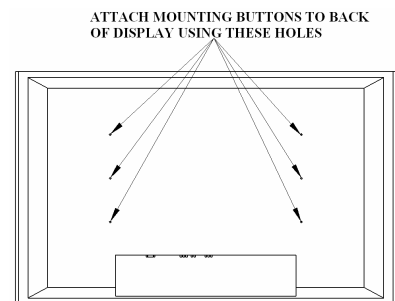


Figure 4



CHIEF MANUFACTURING INC.
1-800-582-6480 952-894-6280 FAX 952-894-6918
8401 EAGLE CREEK PKWY, STE. 700
SAVAGE, MINNESOTA 55378 USA

8805-000230 Rev. C
2008 Chief Manufacturing
www.chiefmfg.com
01/08

WARNING

**ALL COMPONENTS MUST BE SECURELY FASTENED TO A STRUCTURAL MEMBER CAPABLE OF SUPPORTING 4 TIMES THE COMBINED WEIGHT OF ALL COMPONENTS PLUS THE EQUIPMENT BEING MOUNTED. IF IT CANNOT SUPPORT THIS WEIGHT, THE STRUCTURE MUST BE REINFORCED.
THE MAXIMUM WEIGHT TO BE INSTALLED ON THE MOUNT IS 200 POUNDS (90.72 KG).**

3. Securely anchor the static mount to wall studs or supporting framework (see WARNING).
4. Make sure the flag is lowered to the side before attempting to place the display on the mount.
5. With the aid of another person, lift the display up to the mount, align the mounting buttons with the teardrop slots in the mount, and set the display into place (see Figure 5).
6. Position (raise) the flag to secure the display to the mount.

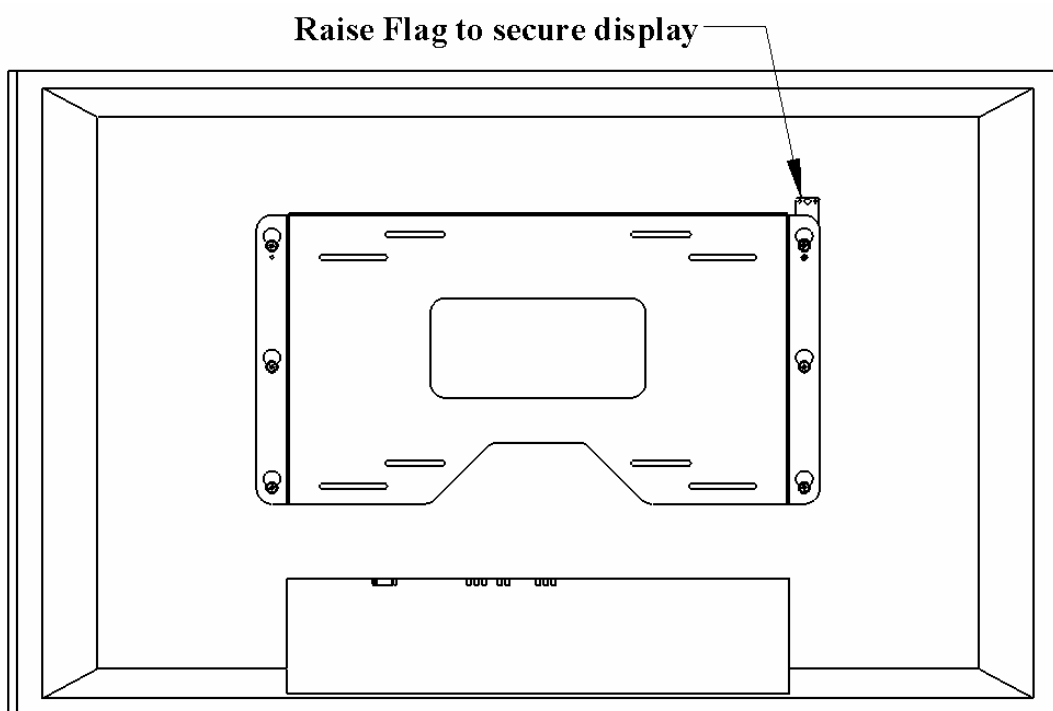


Figure 5