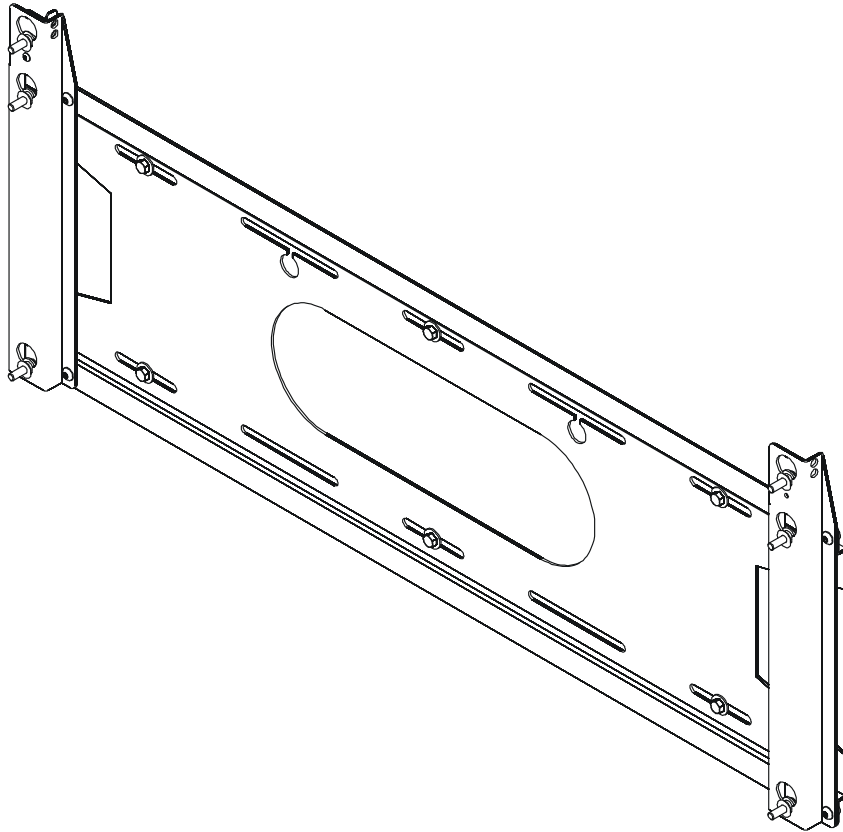

INSTALLATION INSTRUCTIONS



Large Flat Panel Static Wall Mount

DISCLAIMER

Milestone AV Technologies, Inc., and its affiliated corporations and subsidiaries (collectively, "Milestone"), intend to make this manual accurate and complete. However, Milestone makes no claim that the information contained herein covers all details, conditions or variations, nor does it provide for every possible contingency in connection with the installation or use of this product. The information contained in this document is subject to change without notice or obligation of any kind. Milestone makes no representation of warranty, expressed or implied, regarding the information contained herein. Milestone assumes no responsibility for accuracy, completeness or sufficiency of the information contained in this document.



WARNING: Failure to read, thoroughly understand, and follow all instructions can result in serious personal injury, damage to equipment, or voiding of factory warranty! It is the installer's responsibility to make sure all components are properly assembled and installed using the instructions provided.



WARNING: Failure to provide adequate structural strength for this component can result in serious personal injury or damage to equipment! It is the installer's responsibility to make sure the structure to which this component is attached can support a minimum of five times the weight of the display and mount. Reinforce the structure as required before installing the component.



WARNING: Exceeding the weight capacity can result in serious personal injury or damage to equipment! It is the installer's responsibility to make sure the combined weight of all components attached does not exceed 300 lbs (136 kg). Use with products heavier than the maximum weight indicated may result in collapse of the mount and its accessories causing possible injury.

IMPORTANT WARNINGS AND CAUTIONS!

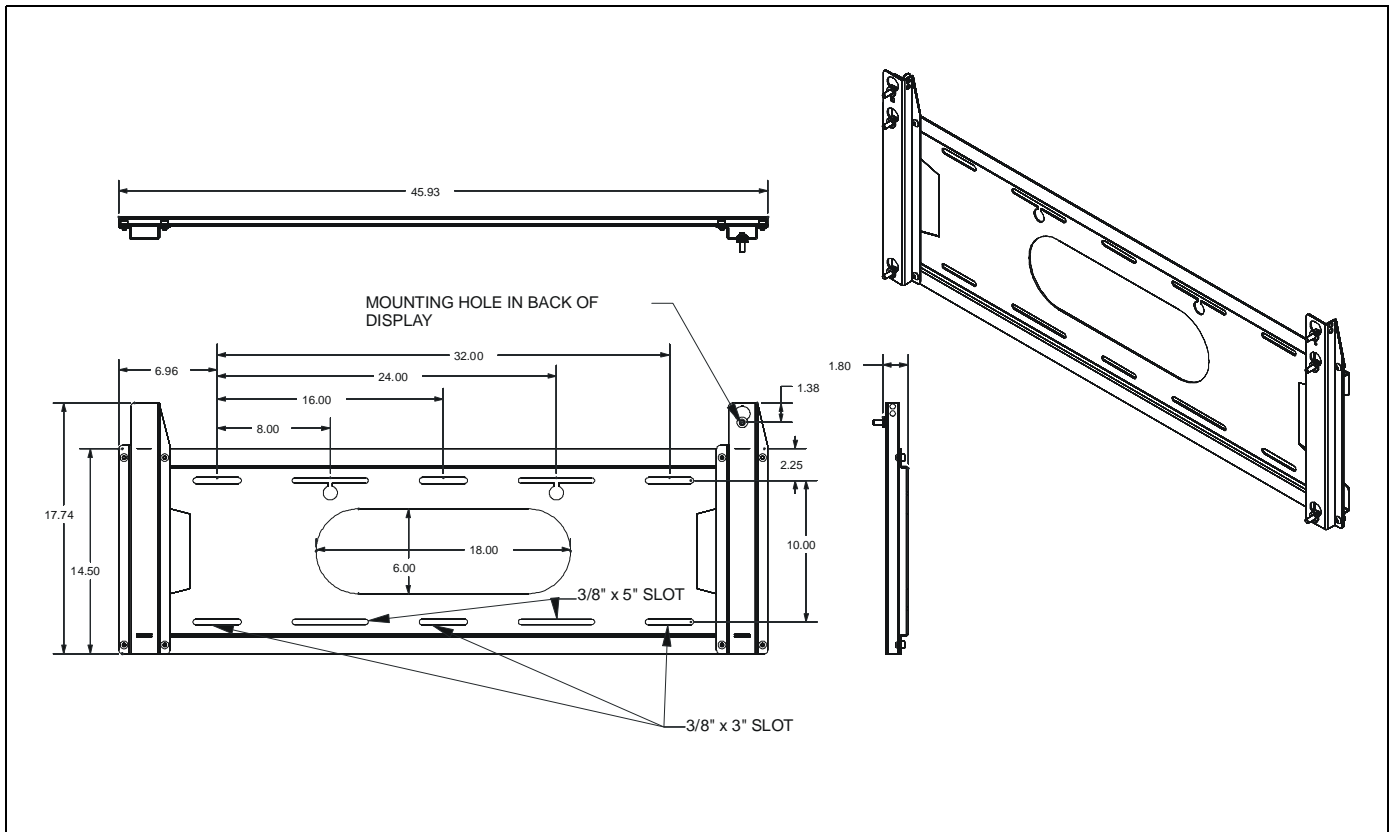


WARNING: A WARNING alerts you to the possibility of serious injury or death if you do not follow the instructions.



CAUTION: A CAUTION alerts you to the possibility of damage or destruction of equipment if you do not follow the corresponding instructions.

DIMENSIONS



LEGEND

	Tighten Fastener
	Apretar elemento de fijación
	Befestigungsteil festziehen
	Apertar fixador
	Serrare il fissaggio
	Bevestiging vastdraaien
Serrez les fixations	

	Pencil Mark
	Marcar con lápiz
	Stiftmarkierung
	Marcar com lápis
	Segno a matita
	Potloodmerkten
Marquage au crayon	

	Loosen Fastener
	Aflojar elemento de fijación
	Befestigungsteil lösen
	Desapertar fixador
	Allentare il fissaggio
	Bevestiging losdraaien
Desserrez les fixations	

	Drill Hole
	Perforar
	Bohrloch
	Fazer furo
	Praticare un foro
	Gat boren
Percez un trou	

	Open-Ended Wrench
	Destornillador Phillips
	Kreuzschlitzschraubendreher
	Chave de fendas Phillips
	Cacciavite a stella
	Kruiskopschroevendraaier
Tournevis à pointe cruciforme	

	Hex-Head Wrench
	Ajustar
	Einstellen
	Ajustar
	Regolare
	Afstellen
Ajuster	

TOOLS FOR INSTALLATION/PARTS

	1/4"		9/16"	M5 (provided)			
	A (1) [cross bracket]	B (2) [upright bracket]	C (1) [latching flag]	D (6) M8 x 30mm	E (1) #10-24 x 1/2"	F (8) 5/16-18 x 1/2"	
	G (6) [mounting button]	H (8) 5/16 x 2 1/2"	J (1) #10-24	K (8) 5/16"	L (1) .194x.375x.032	M(1) M5	N(1) 3/16"

ASSEMBLY AND INSTALLATION

Mount Assembly

1. Attach two vertical brackets (B) to cross bracket (A) using eight 5/16-20 x 1/2" hex head screws (F). (See Figure 1)

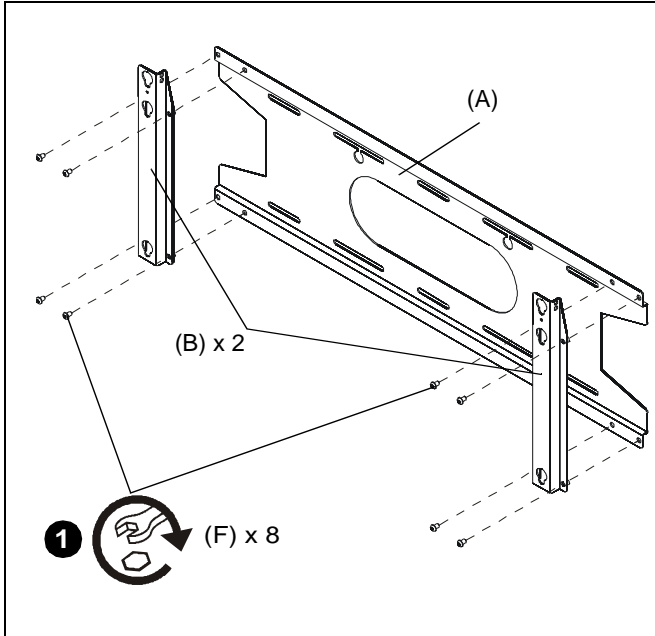


Figure 1

2. Attach latching flag (C) to left vertical bracket (B) using the #10-24 x 1/2" Phillips machine screw (E), nylon washer (K) and #10-24 Nylock nut (J). (See Figure 2)

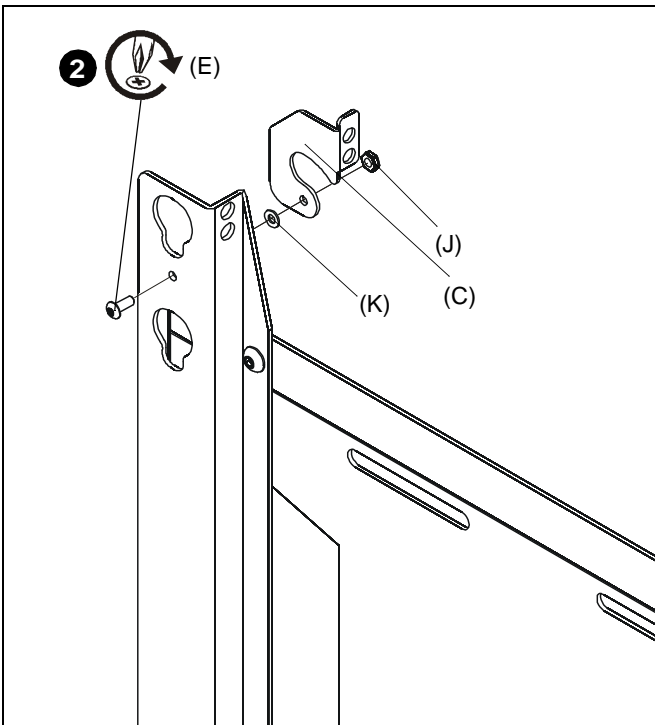


Figure 2

Mount Installation



WARNING: IMPROPER INSTALLATION CAN LEAD TO MOUNT FALLING CAUSING SERIOUS PERSONAL INJURY OR DAMAGE TO EQUIPMENT! The mount weighs in excess of 100 lbs (45.36kg). ALWAYS use appropriate lifting device and follow all safety practices when moving and installing this mount.



WARNING: Exceeding the weight capacity can result in serious personal injury or damage to equipment! It is the installer's responsibility to make sure the combined weight of all components attached does not exceed 300 lbs (136 kg). Use with products heavier than the maximum weight indicated may result in collapse of the mount and its accessories causing possible injury.

1. Determine mounting location. Mount can be installed on 16" on center or 24" on center wood studs. (See Figure 3)

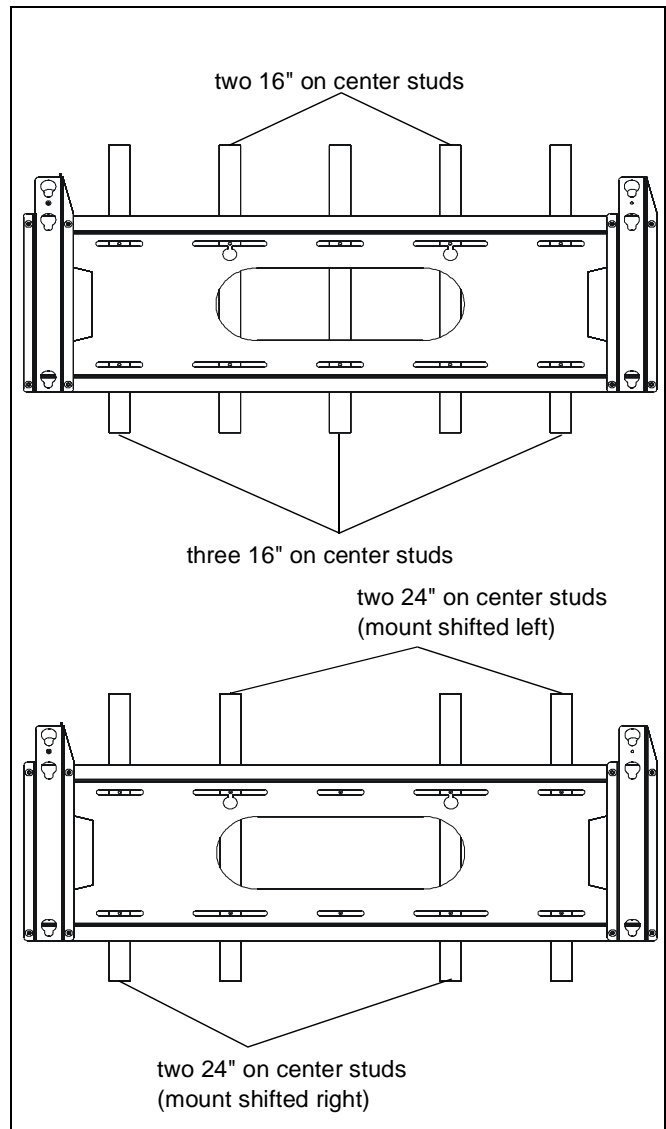


Figure 3

2. Using appropriate lifting device, raise assembled mount and place mount against wall in desired installation location. (See Figure 4)
3. Level and adjust horizontal position making certain slots in upper and lower horizontal brackets on mount are properly positioned over studs. (See Figure 4)
4. Using a pencil, or similar marking tool, mark the location of mounting holes in base onto surface. (See Figure 4)
5. Drill four or six pilot holes (6 if centered on 3 16" studs and 4 for all other mounting scenarios), at marked locations. (See Figure 4)

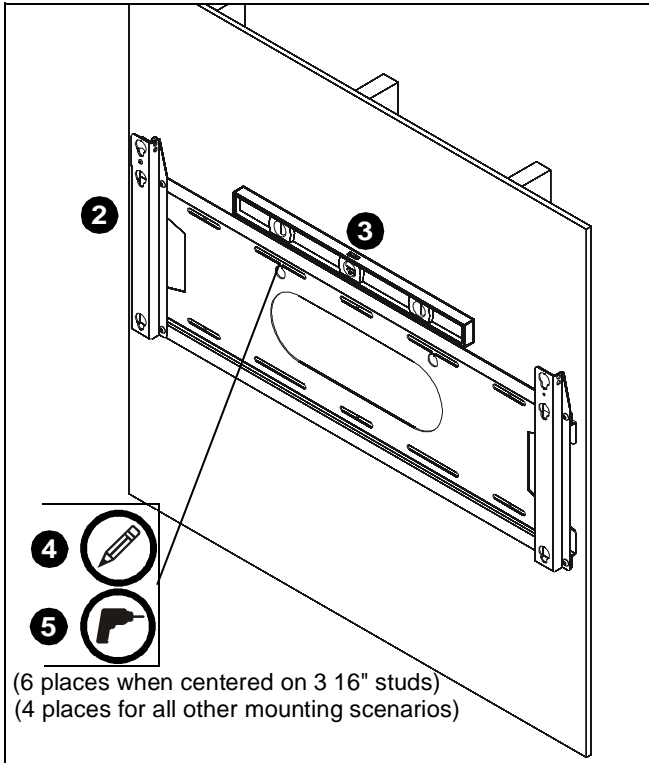


Figure 4

CAUTION: IMPROPER INSTALLATION CAN LEAD TO MOUNT FALLING CAUSING SERIOUS PERSONAL INJURY OR DAMAGE TO EQUIPMENT! DO NOT overtighten hardware!

WARNING: Failure to provide adequate structural strength for this component can result in serious personal injury or damage to equipment! It is the installer's responsibility to make sure the structure to which this component is attached can support a minimum of five times the weight of the display and mount. Reinforce the structure as required before installing the component.

6. Secure mount to studs using 5/16 x 2 1/2" hex head cap screws and 5/16" flat washers. (6 if centered on 3 16" studs and 4 for all other mounting scenarios). (See Figure 5)

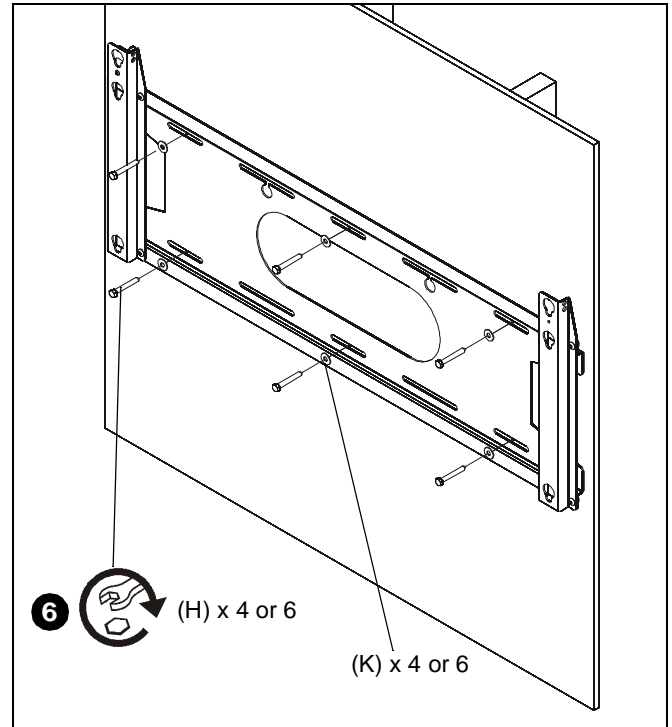


Figure 5

Display Installation

WARNING: IMPROPER INSTALLATION CAN LEAD TO MOUNT FALLING CAUSING SERIOUS PERSONAL INJURY OR DAMAGE TO EQUIPMENT! DO NOT substitute hardware.

1. Use six M8 x 30mm button head cap screws (D) to secure mounting buttons (G) to back of display. (See Figure 6)

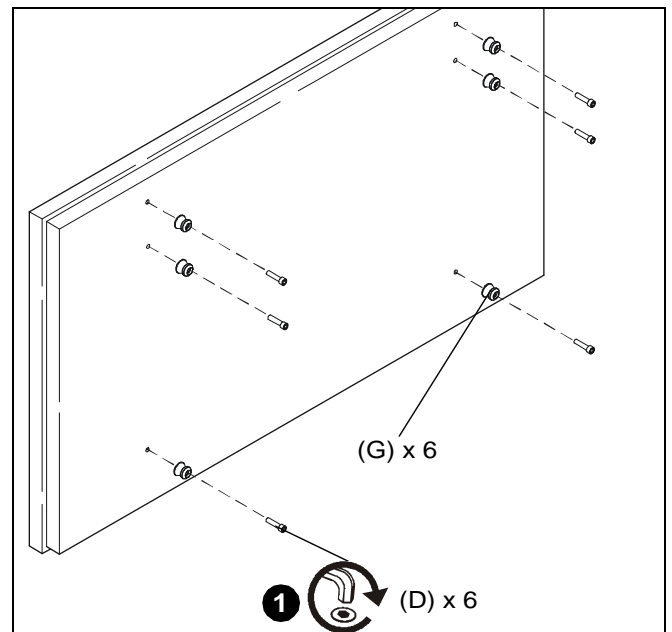


Figure 6

2. Lift display following lifting instructions provided by display manufacturer.
3. Align mounting buttons on display with teardrop mounting holes in mount. (See Figure 7)
4. Move display forward until recessed area of mounting buttons is positioned over lower area of teardrop mounting holes. (See Figure 7)
5. Lower display until recess area of mounting buttons is seated in lower area of teardrop mounting holes. (See Figure 7)

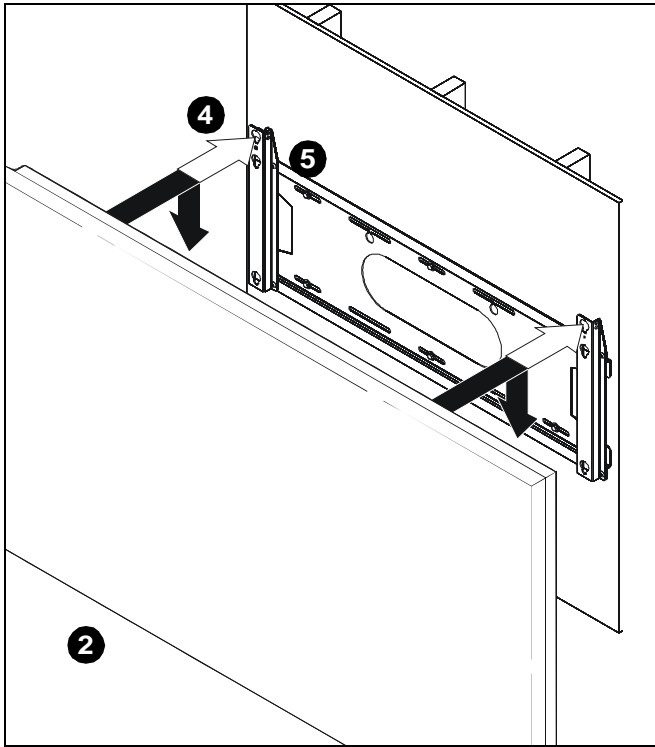


Figure 7

6. Move locking flag (C) to closed position to secure mounting button to mount. (See Figure 8)
7. (Optional) Use a padlock to lock display to mount. (See Figure 8)

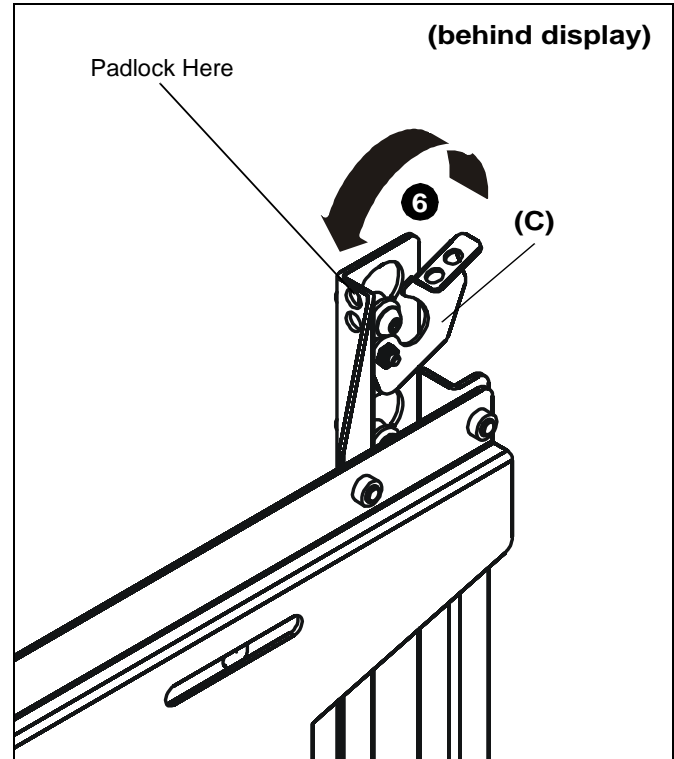


Figure 8

8. Route wires and cables to display.



Our Mounts. **Your Vision.**

Chief Manufacturing, a products division
of Milestone AV Technologies

8805-000221 RevB
©2010 Milestone AV Technologies, a
Duchossois Group Company
www.chiefmfg.com
08/10

USA/International	A 8401 Eagle Creek Parkway, Savage, MN 55378 P 800.582.6480 / 952.894.6280 F 877.894.6918 / 952.894.6918
Europe	A Fellenoord 130 5611 ZB EINDHOVEN, The Netherlands P +31 (0)40 2668620 F +31 (0)40 2668615
Asia Pacific	A Office No. 1 on 12/F, Shatin Galleria 18-24 Shan Mei Street Fotan, Shatin, Hong Kong P 852 2145 4099 F 852 2145 4477

