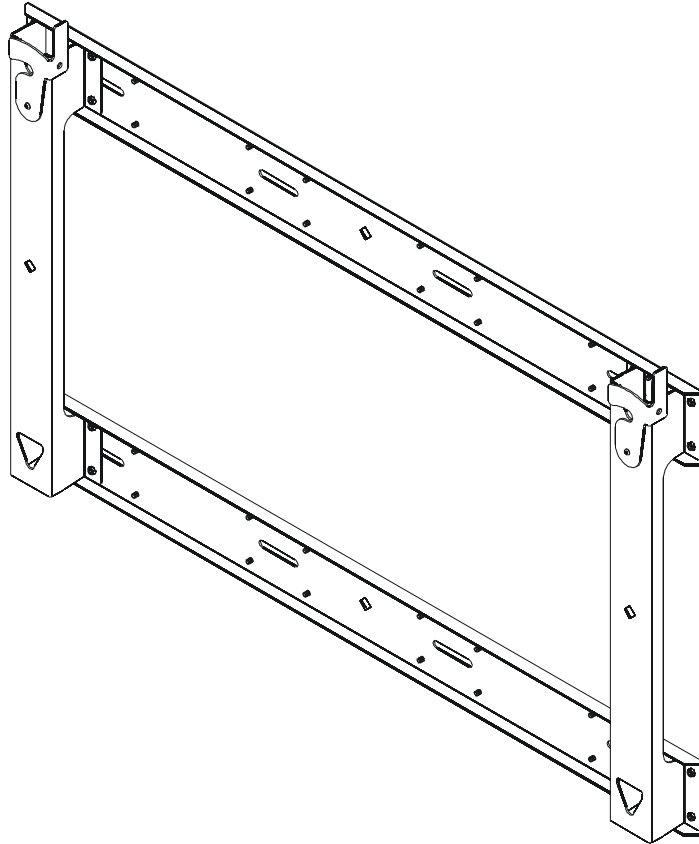

INSTALLATION INSTRUCTIONS



Large Flat Panel Static Wall Mount

DISCLAIMER

Milestone AV Technologies and its affiliated corporations and subsidiaries (collectively "Milestone"), intend to make this manual accurate and complete. However, Milestone makes no claim that the information contained herein covers all details, conditions or variations, nor does it provide for every possible contingency in connection with the installation or use of this product. The information contained in this document is subject to change without notice or obligation of any kind. Milestone makes no representation of warranty, expressed or implied, regarding the information contained herein. Milestone assumes no responsibility for accuracy, completeness or sufficiency of the information contained in this document.

Chief® is a registered trademark of Milestone AV Technologies. All rights reserved.



WARNING: Exceeding the weight capacity can result in serious personal injury or damage to equipment! It is the installer's responsibility to make sure the combined weight of all components attached to the PSMH-2482 mount does not exceed 320 lbs (119.44 kg).

--SAVE THESE INSTRUCTIONS--



IMPORTANT SAFETY INSTRUCTIONS!



WARNING: A WARNING alerts you to the possibility of serious injury or death if you do not follow the instructions.



CAUTION: A CAUTION alerts you to the possibility of damage or destruction of equipment if you do not follow the corresponding instructions.



WARNING: Failure to read, thoroughly understand, and follow all instructions can result in serious personal injury, damage to equipment, or voiding of factory warranty! It is the installer's responsibility to make sure all components are properly assembled and installed using the instructions provided.



WARNING: Failure to provide adequate structural strength for this component can result in serious personal injury or damage to equipment! It is the installer's responsibility to make sure the structure to which this component is attached can support a minimum of 2,000lbs (907.185kg). Reinforce the structure as required before installing the component. The wall to which the mount is being attached may have a maximum drywall thickness of 5/8" (1.6cm). Do not install drywall anchors into the seam between drywall pieces.



WARNING: Use this mounting system only for its intended use as described in these instructions. Do not use attachments not recommended by the manufacturer.



WARNING: Never operate this mounting system if it is damaged. Return the mounting system to a service center for examination and repair.



WARNING: Do not use this product outdoors.

LEGEND

	Tighten Fastener
	Apretar elemento de fijación
	Befestigungsteil festziehen
	Apertar fixador
	Serrare il fissaggio
	Bevestiging vastdraaien
Serrez les fixations	

	Pencil Mark
	Marcar con lápiz
	Stiftmarkierung
	Marcar com lápis
	Segno a matita
	Potloodmerkten
Marquage au crayon	

	Loosen Fastener
	Aflojar elemento de fijación
	Befestigungsteil lösen
	Desapertar fixador
	Allentare il fissaggio
	Bevestiging losdraaien
Desserrez les fixations	

	Drill Hole
	Perforar
	Bohrloch
	Fazer furo
	Praticare un foro
	Gat boren
Percez un trou	

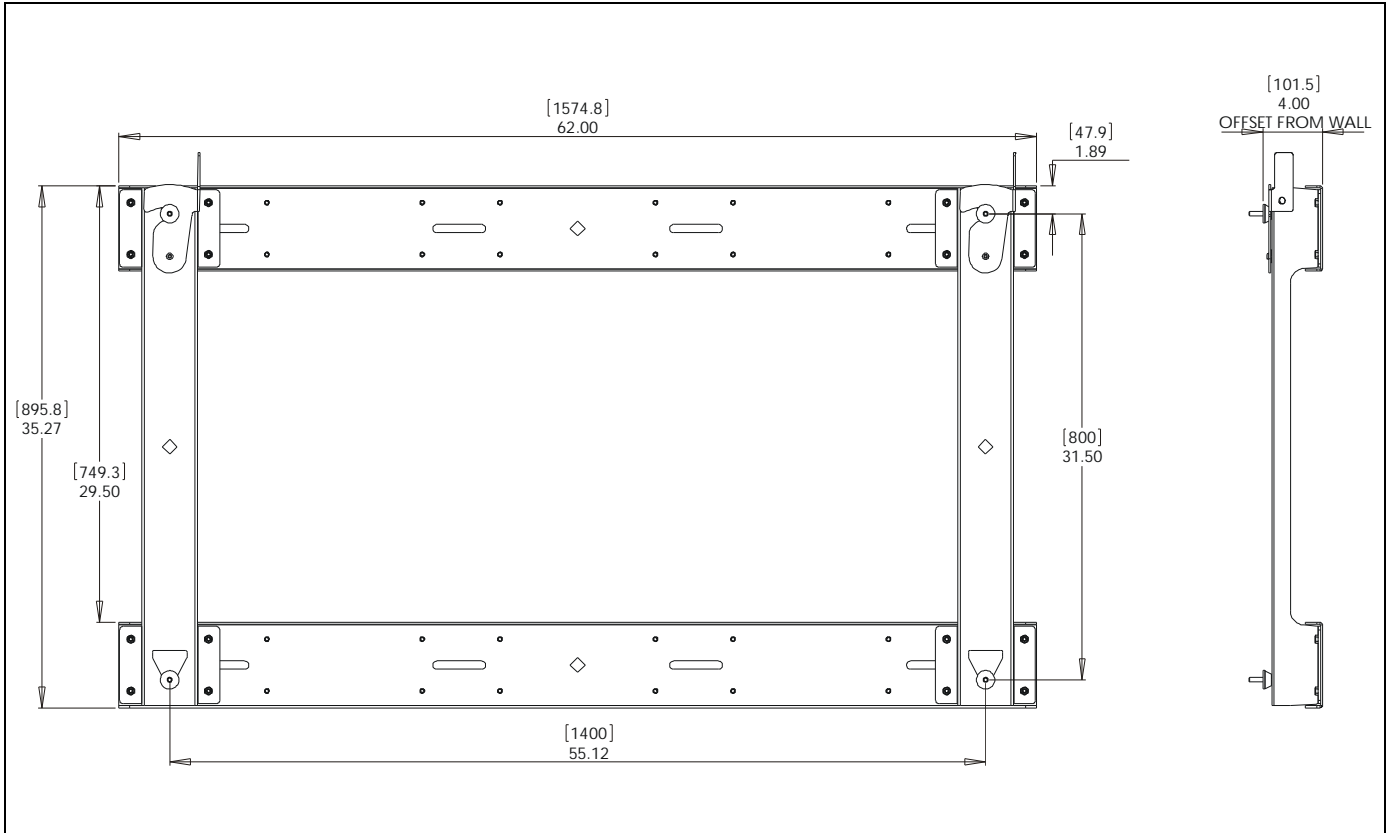
	Open-Ended Wrench
	Destornillador Phillips
	Kreuzschlitzschraubendreher
	Chave de fendas Phillips
	Cacciavite a stella
	Kruiskopschroevendraaier
Tournevis à pointe cruciforme	

	Hex-Head Wrench
	Ajustar
	Einstellen
	Ajustar
	Regolare
	Afstellen
Ajuster	

TOOLS FOR INSTALLATION/PARTS

					M5 (included)
	A (2) [Vertical Bracket]	B (2) [Horizontal Bracket]	C (4) M8 x 35mm	D (4) M8	E (16) 5/16-18"
					F (1) M5

DIMENSIONS



ASSEMBLY AND INSTALLATION

Mount Assembly

1. Attach two vertical brackets (A) to horizontal brackets (B) using sixteen 5/16-18" nylon lock nuts (E). (See Figure 1)

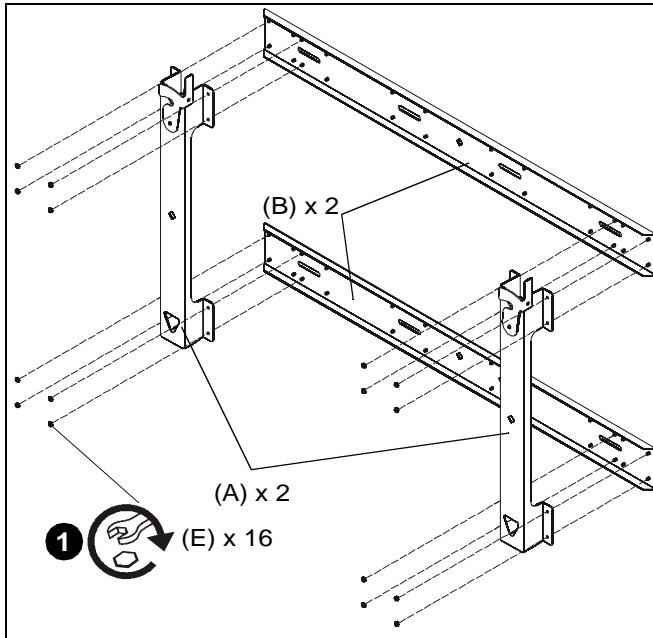


Figure 1

Mount Installation



WARNING: IMPROPER INSTALLATION CAN LEAD TO MOUNT FALLING CAUSING SERIOUS PERSONAL INJURY OR DAMAGE TO EQUIPMENT! The mount weighs in excess of 75 lbs (34.02 kg). ALWAYS use appropriate lifting device and follow all safety practices when moving and installing this mount.



WARNING: IMPROPER INSTALLATION CAN LEAD TO DISPLAY FALLING CAUSING SERIOUS PERSONAL INJURY OR DAMAGE TO EQUIPMENT! It is the installer's responsibility to make sure the structure to which this mount is being attached can support a minimum of 2,000 lbs (907.18kg). Reinforce the structure as required before installing this mount.



WARNING: Exceeding the weight capacity can result in serious personal injury or damage to equipment! It is the installer's responsibility to make sure the combined weight of all components attached to the PSMH-2482 mount does not exceed 320 lbs (119.44 kg).

1. Using appropriate lifting device, raise assembled mount and place mount against wall in desired installation location. (See Figure 2)
2. Level and adjust horizontal position making certain slots in upper and lower horizontal brackets on mount are properly positioned over studs.
3. Using a pencil, or similar marking tool, mark the location of mounting holes in base onto surface. (See Figure 2)
4. Drill eight pilot holes at marked locations. (See Figure 2)

NOTE: Pilot hole size will depend on the type and size of fastener being used.

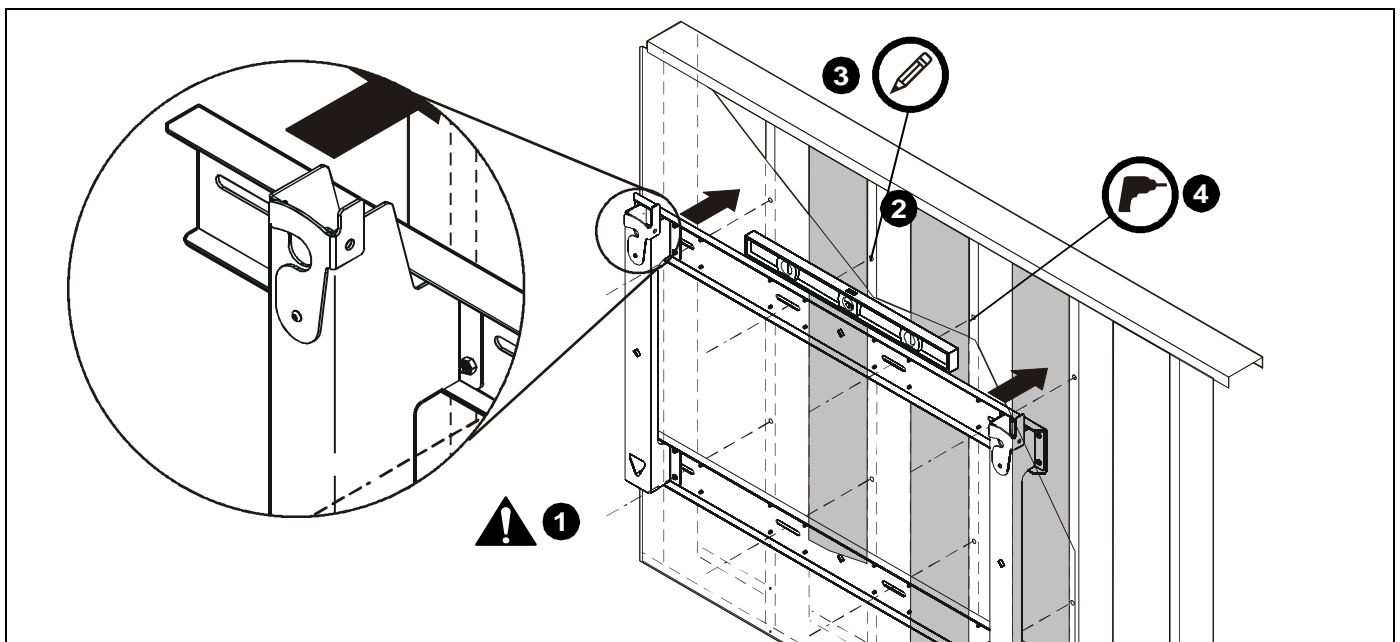


Figure 2



CAUTION: IMPROPER INSTALLATION CAN LEAD TO MOUNT FALLING CAUSING SERIOUS PERSONAL INJURY OR DAMAGE TO EQUIPMENT! DO NOT overtighten hardware!

- Secure mount to studs using appropriate hardware for mounting surface. (See Figure 3)

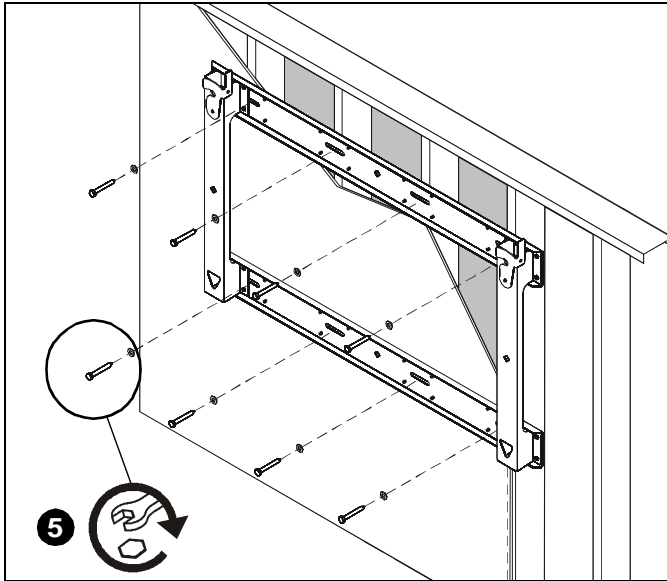


Figure 3

Display Installation



WARNING: IMPROPER INSTALLATION CAN LEAD TO MOUNT FALLING CAUSING SERIOUS PERSONAL INJURY OR DAMAGE TO EQUIPMENT! DO NOT substitute hardware.

- Move locking flags on mount to the OPEN position. (See Figure 4)

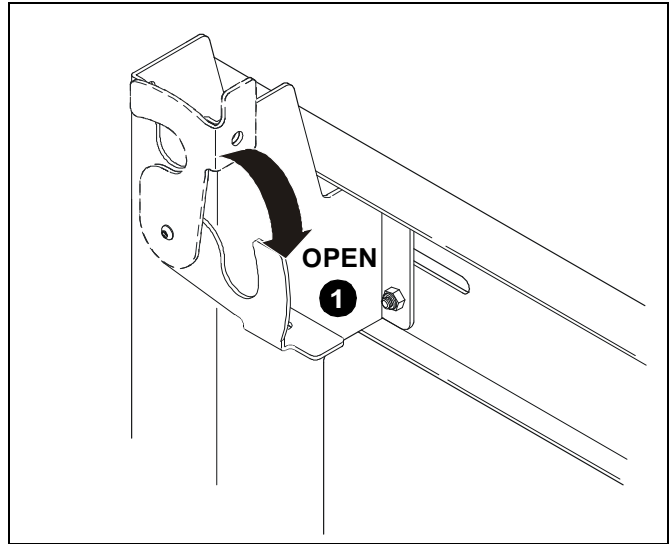


Figure 4

- Install four mounting buttons (D) onto display using four M8 x 35 button head cap screws (C). (See Figure 5)

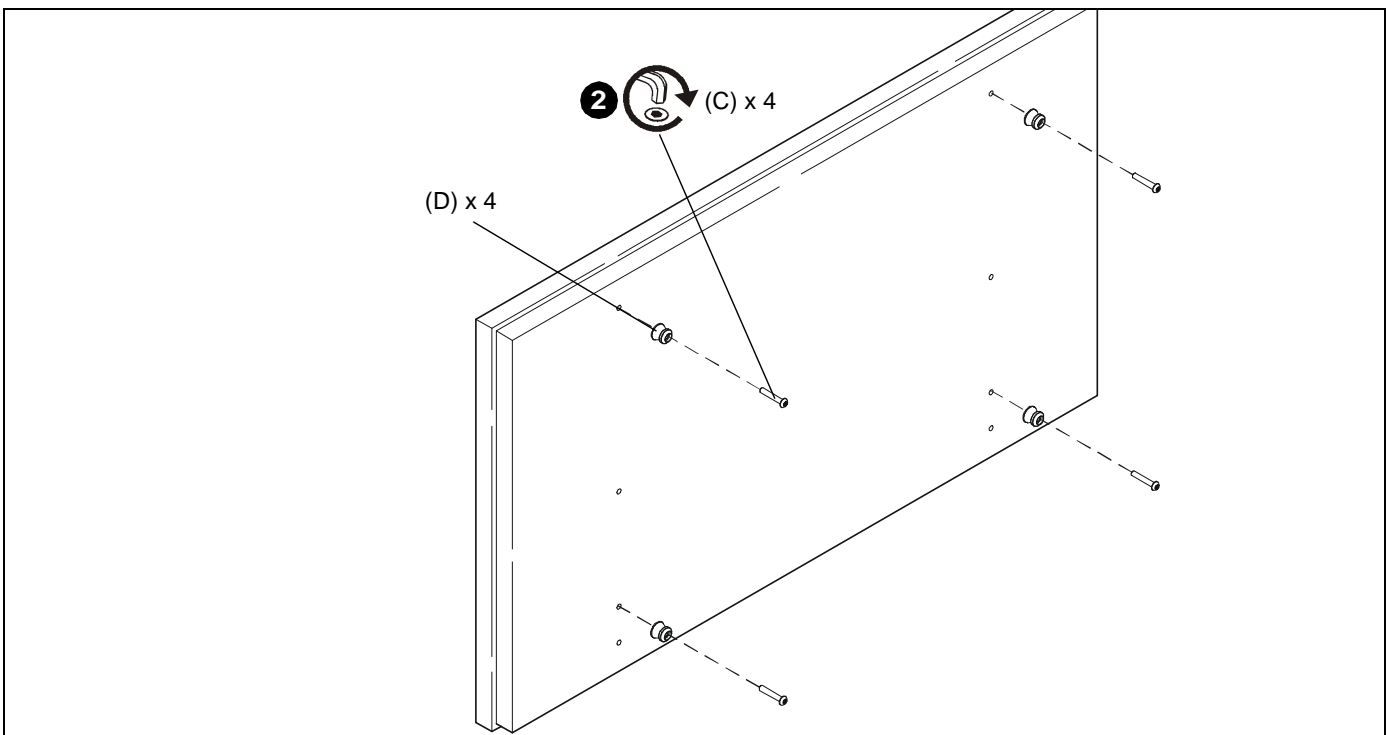


Figure 5

3. Lift display following lifting instructions provided by display manufacturer.
4. Align mounting buttons on display with teardrop mounting holes in mount. (See Figure 6)

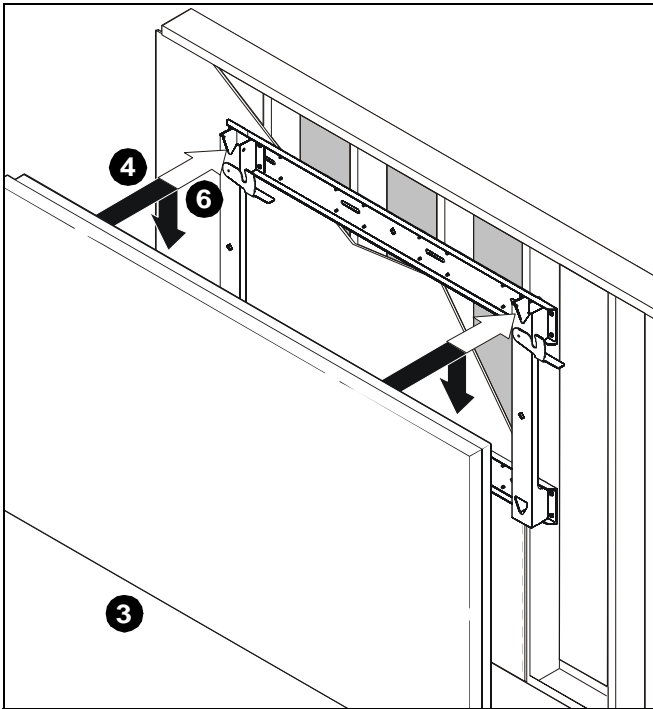


Figure 6

5. Move display forward until recessed area of mounting buttons is positioned over lower area of teardrop mounting holes. (See Figure 6)
6. Lower display until recess area of mounting buttons is seated in lower area of teardrop mounting holes. (See Figure 6)
7. Move locking flags to CLOSED position and lock if desired. (See Figure 7)

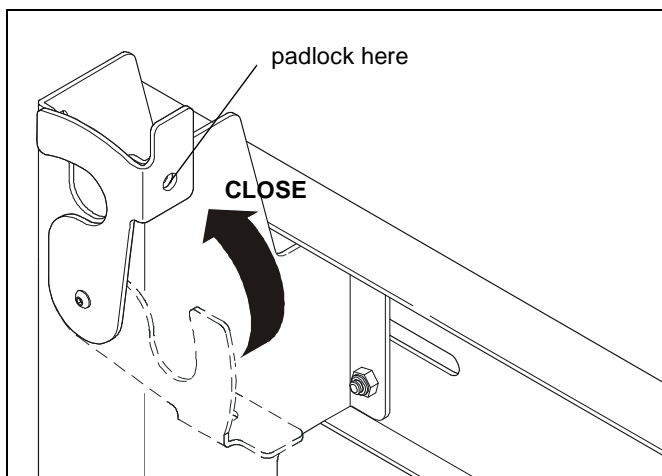


Figure 7

8. Route wires and cables to display.



Our Mounts. **Your Vision.**

Chief Manufacturing, a products division
of Milestone AV Technologies

8800-002129 Rev00

©2011 Milestone Technologies, a
Duchossois Group Company

www.chiefmfg.com

10/11

USA/International	A 8401 Eagle Creek Parkway, Savage, MN 55378
	P 800.582.6480 / 952.894.6280
	F 877.894.6918 / 952.894.6918
Europe	A Fellenoord 130 5611 ZB EINDHOVEN, The Netherlands
	P +31 (0)40 2668620
	F +31 (0)40 2668615
Asia Pacific	A Office No. 1 on 12/F, Shatin Galleria 18-24 Shan Mei Street Fotan, Shatin, Hong Kong
	P 852 2145 4099
	F 852 2145 4477

