

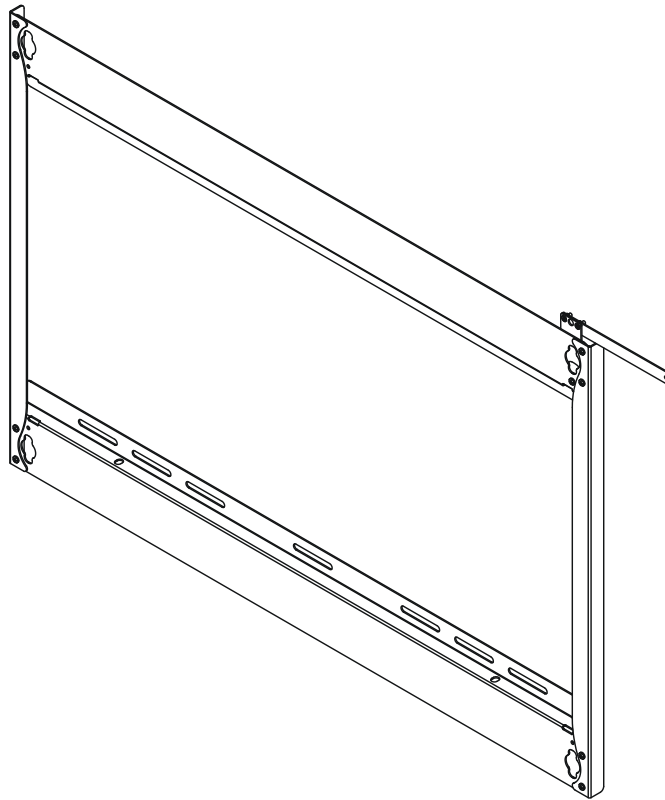
---

# INSTALLATION INSTRUCTIONS

---

Instrucciones de instalación  
Installationsanleitung  
Instruções de Instalação

Istruzioni di installazione  
Installatie-instructies  
Instructions d'installation



---

## SMARTBOARD® STATIC WALL MOUNT

---

---

 **CHIEF**®

**PSMH2501**

---

## DISCLAIMER

CSAV, Inc., and its affiliated corporations and subsidiaries (collectively, "CSAV"), intend to make this manual accurate and complete. However, CSAV makes no claim that the information contained herein covers all details, conditions or variations, nor does it provide for every possible contingency in connection with the installation or use of this product. The information contained in this document is subject to change without notice or obligation of any kind. CSAV makes no representation of warranty, expressed or implied, regarding the information contained herein. CSAV assumes no responsibility for accuracy, completeness or sufficiency of the information contained in this document.

## IMPORTANT WARNINGS AND CAUTIONS!



**WARNING:** A WARNING alerts you to the possibility of serious injury or death if you do not follow the instructions.



**CAUTION:** A CAUTION alerts you to the possibility of damage or destruction of equipment if you do not follow the corresponding instructions.



**WARNING:** Failure to read, thoroughly understand, and follow all instructions can result in serious personal injury, damage to equipment, or voiding of factory warranty! It is the installer's responsibility to make sure all components are properly assembled and installed using the instructions provided.



**WARNING:** Failure to provide adequate structural strength for this component can result in serious personal injury or damage to equipment! It is the installer's responsibility to make sure the structure to which this component is attached can support five times the combined weight of all equipment. Reinforce the structure as required before installing the component.



**WARNING:** Exceeding the weight capacity can result in serious personal injury or damage to equipment! It is the installer's responsibility to make sure the combined weight of all components attached to the PSMH2501 does not exceed 100 lbs (45 kg).

## ¡AVISOS y PRECAUCIONES IMPORTANTES!



**AVISO:** Un AVISO llama su atención sobre la posibilidad de sufrir lesiones de gravedad o incluso mortales si no sigue las instrucciones.



**PRECAUCIÓN:** Una nota de PRECAUCIÓN llama su atención sobre la posibilidad de dañar o destruir el equipo si no sigue las instrucciones.



**AVISO:** Si no lee, comprende perfectamente y sigue todas las instrucciones, podría causar graves daños personales y materiales o anular la garantía de fábrica. El instalador es el responsable de asegurarse de que todos los componentes están correctamente montados e instalados siguiendo las instrucciones indicadas.



**AVISO:** Si no se proporciona la resistencia estructural adecuada para este componente, podrían provocarse graves daños personales o materiales. El instalador es el responsable de asegurarse de que la estructura a la que este componente está sujeta puede soportar cinco veces el peso combinado de todo el equipo. Refuerce la estructura según sea necesario antes de instalar el componente.



**AVISO:** Si se excede el peso máximo, podrían causarse graves daños personales o materiales. El instalador es responsable de asegurarse de que el peso combinado de todos los componentes montados en el PSMH2501 no excede 45 kg (100 libras).

## WICHTIGE WARN- und VORSICHTSHINWEISE!



**WARNUNG:** Ein WARNHINWEIS macht auf mögliche schwere oder tödliche Verletzungen aufmerksam, die bei Nichtbefolgung der Anweisungen eintreten können.



**VORSICHT:** Ein VORSICHTSHINWEIS macht auf Schäden oder mögliche Zerstörung des Geräts aufmerksam, die bei Nichtbefolgung der Anweisungen eintreten können.



**WARNUNG:** Falls nicht alle Anweisungen gelesen und gut verstanden werden, kann dies zu schweren Körperverletzungen, Schaden an den Geräten führen und die Werksgarantie nichtig machen! Der Monteur ist dafür verantwortlich, dass alle Komponenten unter Einhaltung der mitgelieferten Anweisungen korrekt zusammengesetzt und eingebaut werden.



**WARNUNG:** Wenn für diese Komponente keine ausreichende bauliche Tragkraft vorhanden ist, kann dies zu schweren Körperverletzungen oder Schäden an den Geräten führen! Der Installateur ist dafür verantwortlich zu überprüfen, ob die Wand, an der diese Komponente verankert wird, das Fünffache der Gesamtlast aller befestigten Geräte sicher

tragen kann. Andernfalls muss die Wand verstärkt werden, bevor die Komponente angebracht wird.



**WARNUNG:** Wenn das zulässige Gewicht überschritten wird, kann dies zu schweren Körperverletzungen oder Schäden an den Geräten führen! Der Monteur ist dafür verantwortlich, dass das kombinierte Gewicht aller Komponenten, die am Modell PSMH2501 befestigt sind, nicht mehr als 45 kg beträgt.



### ADVERTÊNCIAS e AVISOS IMPORTANTES!



**ADVERTÊNCIA:** Os alertas de ADVERTÊNCIA avisam-no para a possibilidade de ocorrência de graves lesões ou morte no caso de incumprimento das instruções.



**AVISO:** Os alertas de AVISO avisam-no para a possibilidade de danos ou destruição do equipamento no caso de incumprimento das instruções.



**ADVERTÊNCIA:** Se não ler, compreender completamente e seguir todas as instruções podem ocorrer graves lesões pessoais, danos no equipamento e a garantia de fábrica pode ser anulada! É da responsabilidade do instalador certificar-se de que todos os componentes são correctamente montados e instalados de acordo com as instruções fornecidas.



**ADVERTÊNCIA:** Se não for proporcionado apoio estrutural adequado a este componente podem ocorrer graves lesões pessoais ou danos no equipamento! É da responsabilidade do instalador certificar-se de que a estrutura à qual este componente é ligado pode suportar cinco vezes o peso combinado de todo o equipamento. Reforce a estrutura conforme necessário antes de instalar o componente.



**ADVERTÊNCIA:** Exceder a capacidade de peso pode resultar em graves lesões pessoais ou danos no equipamento! É da responsabilidade do instalador certificar-se de que o peso combinado de todos os componentes ligados ao PSMH2501 não excede 45 kg.



### AVVERTENZE e PRECAUZIONI IMPORTANTI!



**AVVERTENZA:** Un'AVVERTENZA mette in guardia in merito alla possibilità di gravi infortuni, anche letali, qualora non si osservino le istruzioni.



**ATTENZIONE:** Un'ATTENZIONE indica la possibilità di gravi danni all'attrezzatura qualora non ci si attiene alle istruzioni al riguardo.



**AVVERTENZA:** La mancata comprensione e ottemperanza alle istruzioni fornite può provocare gravi lesioni personali, danni all'apparecchiatura o annullare la garanzia fornita dal produttore. Spetta all'installatore verificare che tutti i componenti siano assemblati correttamente e installati secondo le istruzioni fornite.



**AVVERTENZA:** Una resistenza strutturale inadeguata per questo componente può arrecare gravi infortuni o danneggiare l'apparecchiatura. È responsabilità dell'installatore verificare che la struttura alla quale è fissato il componente sostenga con sicurezza cinque volte il carico combinato di tutta l'apparecchiatura. Rinforzare la struttura secondo necessità prima di installare i componenti.



**AVVERTENZA:** Un peso superiore alla capacità nominale può arrecare gravi infortuni o danneggiare l'apparecchiatura. È responsabilità dell'installatore verificare che il peso totale di tutti i componenti montati sul PSMH2501 non superi 45 kg (100 lb).



### BELANGRIJKE AANWIJZINGEN en WAARSCHUWINGEN!



**WAARSCHUWING:** Een WAARSCHUWING vestigt uw aandacht op de mogelijkheid van ernstig of dodelijk letsel als u de instructies niet opvolgt.



**VOORZICHTIG:** De aanwijzing VOORZICHTIG vestigt uw aandacht op de mogelijkheid van beschadiging of onherstelbare beschadiging van de apparatuur als u de betreffende instructies niet opvolgt.



**WAARSCHUWING:** Door niet alle instructies te lezen, volledig te begrijpen en op te volgen, riskeert u ernstig persoonlijk letsel, beschadiging van de apparatuur en het vervallen van de fabrieksgarantie. Degene die het product installeert is ervoor verantwoordelijk dat alle onderdelen aan de hand van de meegeleverde handleiding op de juiste wijze worden samengebouwd en gemonteerd.



**WAARSCHUWING:** Als u voor deze component onvoldoende constructiesterke beschikbaar stelt, riskeert u ernstig persoonlijk letsel of beschadiging van de apparatuur! Degene die de structuur monteert waaraan deze component is bevestigd, is ervoor verantwoordelijk dat deze minimaal vijf

maal het gezamenlijke gewicht van alle apparatuur kan dragen. Zonodig dient u de structuur vóór de montage van de component te versterken.



**WAARSCHUWING:** Overschrijding van het draagvermogen kan de oorzaak zijn van ernstig persoonlijk letsel en beschadiging van de apparatuur! Degene die het product installeert is ervoor verantwoordelijk dat het totale gewicht van alle componenten die aan de PSMH2501 worden bevestigd een gewicht van 45 kg niet overschrijdt.



## IMPORTANT AVERTISSEMENTS et PRÉCAUTIONS!



**AVERTISSEMENT:** Un AVERTISSEMENT vous met en garde contre les possibilités de blessures graves ou de danger de mort si vous ne suivez pas les instructions.



**PRÉCAUTION:** Une PRÉCAUTION vous met en garde contre les possibilités d'endommagements et de destruction de l'équipement si vous ne suivez pas les instructions correspondantes.



**AVERTISSEMENT:** Le manque de la lecture, de la compréhension et du respect total de toutes les instructions, peut entraîner des blessures corporelles graves, endommager l'équipement ou annuler la garantie d'usine. Il incombe à l'installateur de s'assurer que tous les composants sont correctement assemblés et installés à l'aide des instructions fournies.

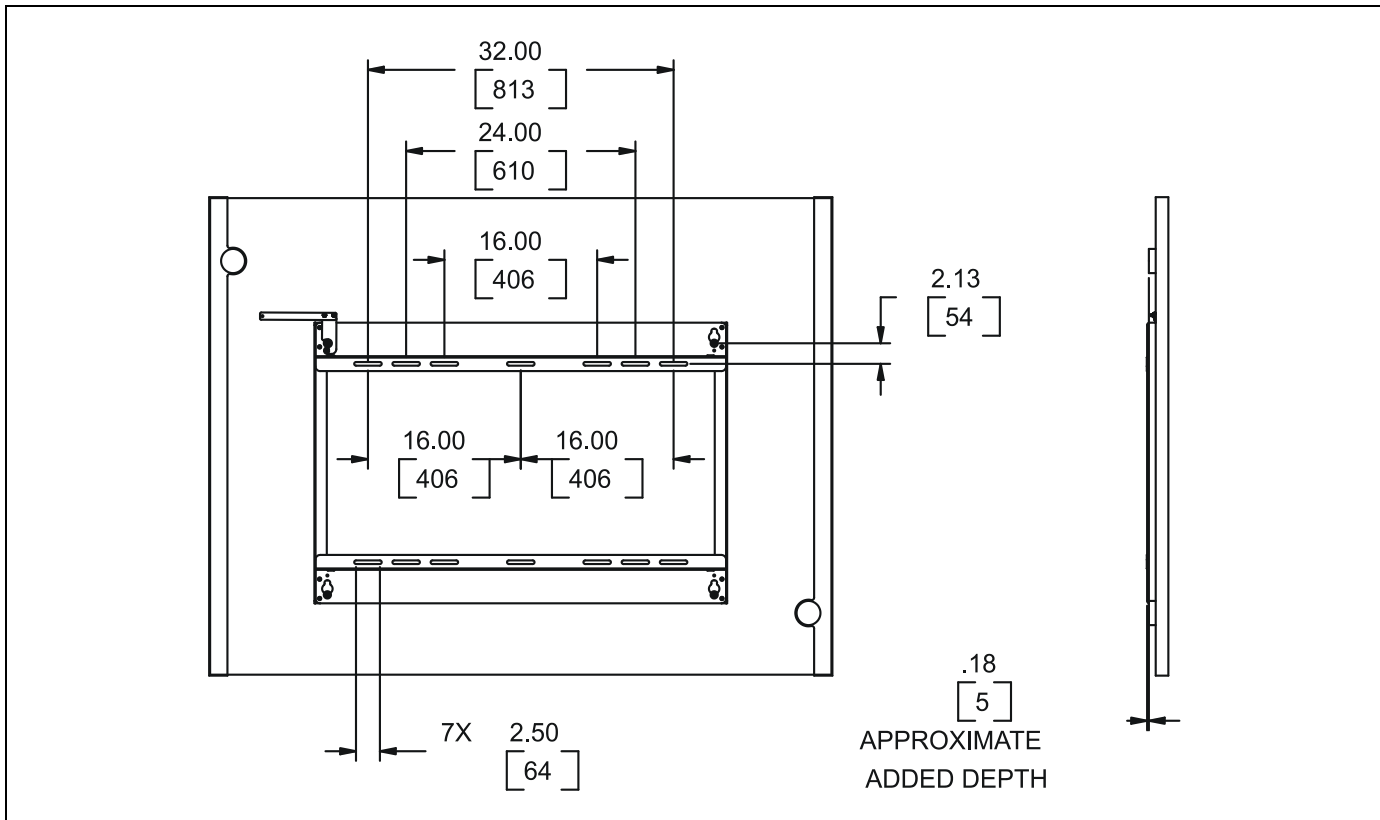


**AVERTISSEMENT:** L'absence de l'apport d'une résistance structurelle appropriée pour ce composant peut entraîner des blessures corporelles graves ou endommager l'équipement. Il incombe à l'installateur de s'assurer que la structure à laquelle le composant est attaché peut soutenir cinq fois le poids combiné de tout l'équipement. Renforcer la structure selon les besoins avant l'installation du composant.

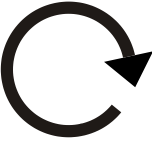



**AVERTISSEMENT:** Dépasser la capacité pondérale peut entraîner des blessures corporelles graves ou endommager l'équipement. Il incombe à l'installateur de s'assurer que le poids combiné de tous les composants attachés à PSMH2501 n'est pas supérieur à 45 kg (100 lb).


## DIMENSIONS




**LEGEND**

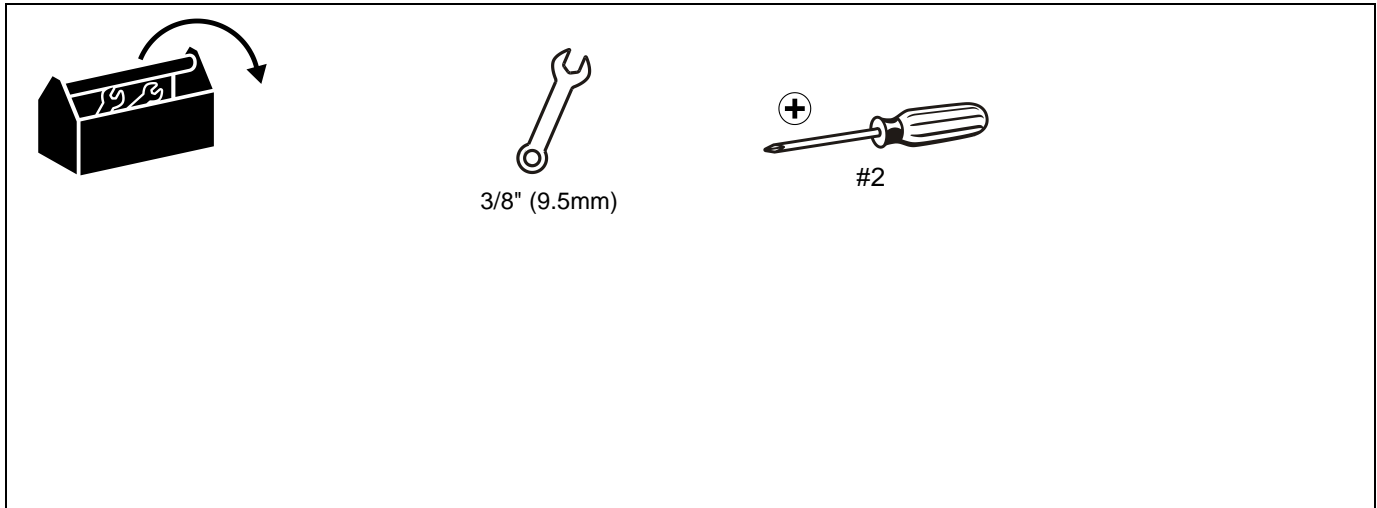
	<b>Tighten Fastener</b>
	Apretar elemento de fijación
	Befestigungsteil festziehen
	Apertar fixador
	Serrare il fissaggio
	Bevestiging vastdraaien
Serrez les fixations	

	<b>Open-Ended Wrench</b>
	Llave de boca
	Gabelschlüssel
	Chave de bocas
	Chiave a punte aperte
	Steeksleutel
Clé à fourche	

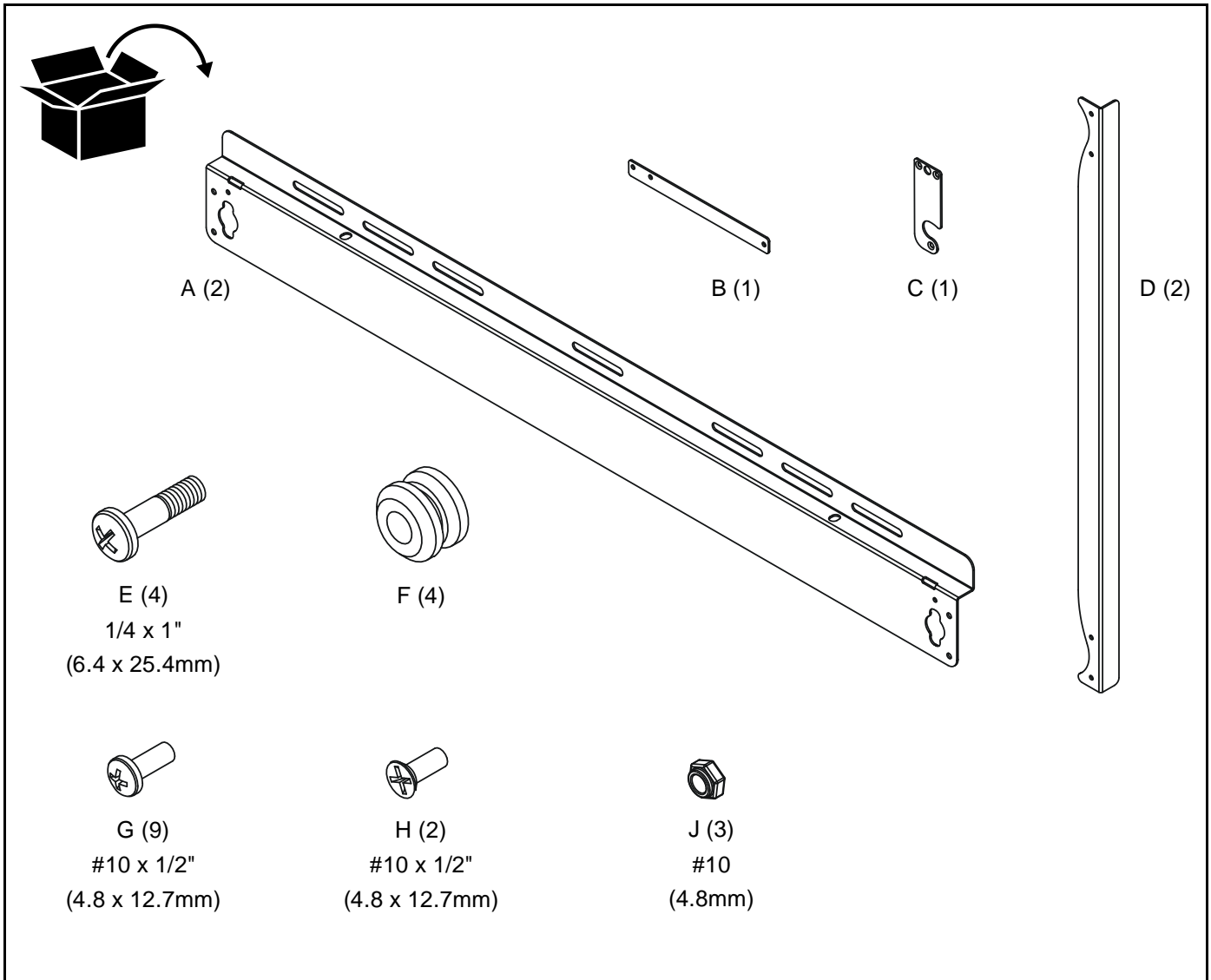
	<b>Phillips Screwdriver</b>
	Destornillador Phillips
	Kreuzschlitzschraubendreher
	Chave de fendas Phillips
	Cacciavite a stella
	Kruiskopschroevendraaier
Tournevis à pointe cruciforme	

	<b>By Hand</b>
	A mano
	Von Hand
	Com a mão
	A mano
	Met de hand
À la main	

### TOOLS REQUIRED FOR INSTALLATION

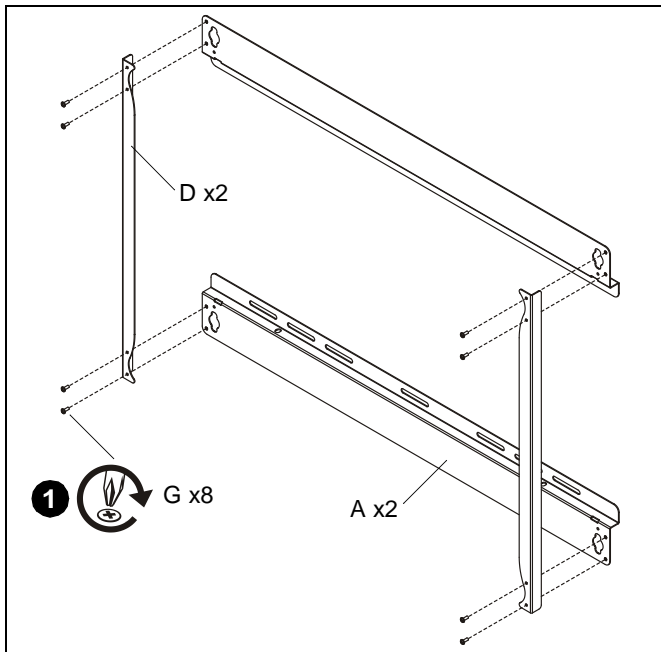


### PARTS



**ASSEMBLY**

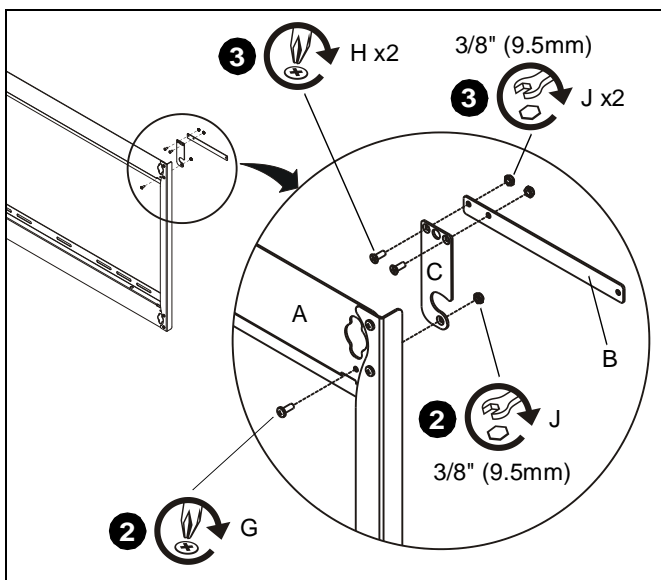
1. Install screws (G) through vertical brackets (D) into horizontal brackets (A) (See Figure 1). Tighten securely.



**Figure 1**

2. Install screw (G) through horizontal bracket (A), latching flag (C), into nut (J) (See Figure 2). Tighten as required to hold latching flag (C) in position, but not so tight as to prevent movement.

**NOTE:** Countersink in lower portion of latching flag (C) not used in this application.



**Figure 2**

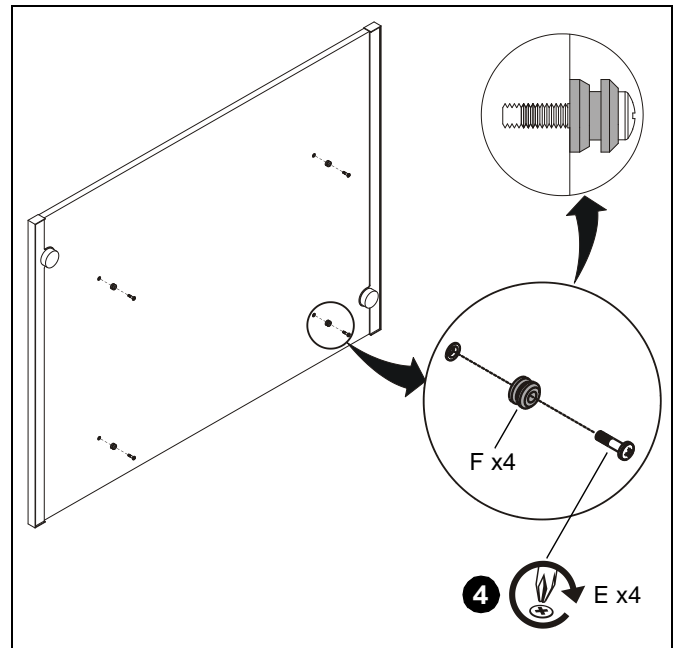
3. Install screws (H) through latching flag (C) and flag handle (B), into nuts (J) (See Figure 2). Ensure handle is oriented so that screw holes are on top. Tighten securely.

**NOTE:** Latching flag (C) is designed for installation in upper right corner of mount only.



**CAUTION:** Do not overtighten screws or Smartboard® may be damaged!

4. Install screws (E) through mounting buttons (F) into threaded holes in back of Smartboard® (See Figure 3). Ensure buttons are oriented as shown.



**Figure 3**

## INSTALLATION



**WARNING:** Failure to provide adequate structural strength for this component can result in serious personal injury or damage to equipment! It is the installer's responsibility to make sure the structure to which this component is attached can support five times the combined weight of all equipment. Reinforce the structure as required before installing the component.

1. Install mount to wood studs or concrete.

**NOTE:** Mounting hardware not included.

**NOTE:** Mounting slots on horizontal brackets (A) designed to accommodate 5/16" (7.9mm) diameter fasteners in:

- Dual / triple stud 16" (406mm) on center installation, or
- Dual stud 24" (610mm) on center installation.



**WARNING:** Exceeding the weight capacity can result in serious personal injury or damage to equipment! It is the installer's responsibility to make sure the combined weight of all components attached to the PSMH2501 does not exceed 100 lbs (45 kg).

2. Rotate latching flag handle (B) to the OPEN position (See Figure 4).

**NOTE:** Smartboard® not shown for clarity.

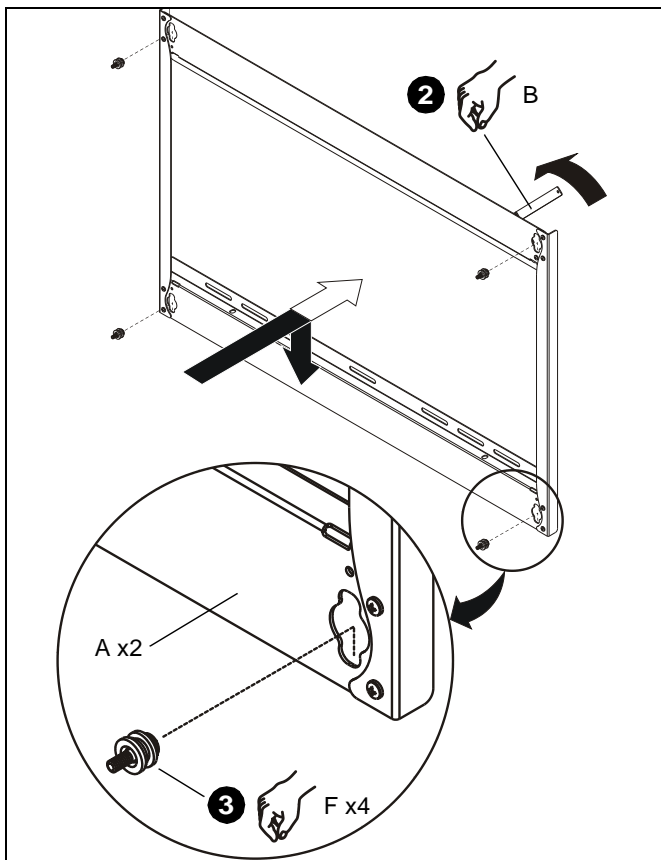


Figure 4



**WARNING:** Smartboard® is very heavy! Ensure Smartboard® can be safely lifted and maneuvered as required to install to mount. Failure to take adequate precautions can result in serious personal injury or damage to equipment!

3. Lift and maneuver Smartboard® so that all four mounting buttons (F) fit into button openings on horizontal brackets (A) (See Figure 4). Lower Smartboard® firmly into place. Ensure each button has fully seated in its button opening.
4. Rotate latching flag handle (B) to the CLOSED (horizontal) position (See Figure 5).

**NOTE:** If latching flag handle (B) will not move to CLOSED position, then ensure all buttons (F) are fully seated in button openings.

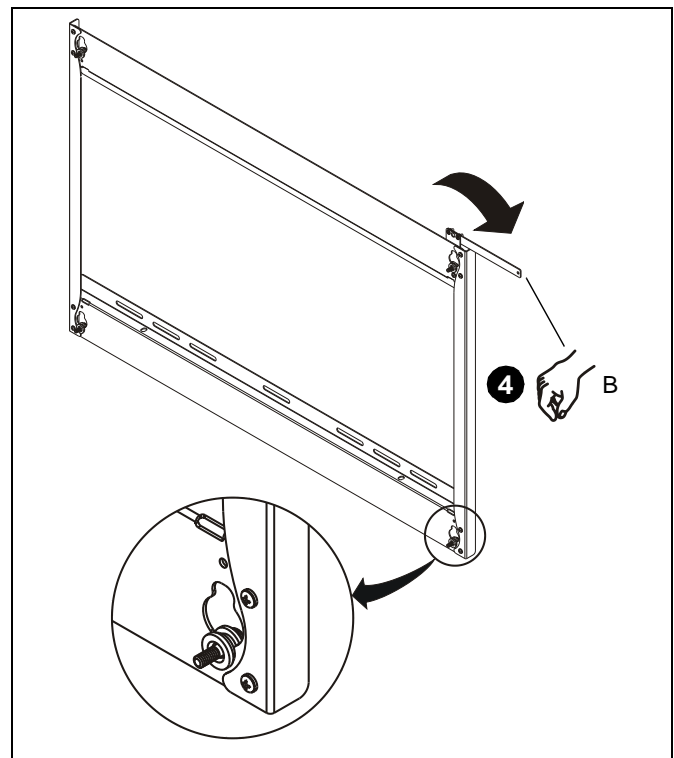


Figure 5



**WARNING:** Make sure the flag handle (B) is fully closed at all times except when removing or installing the Smartboard®. Flag handle (B) must be fully closed when installing or removing cables from the Smartboard®.

5. Attach all cables to Smartboard®.



THIS PAGE INTENTIONALLY BLANK



8805-000182 Rev A  
©2006 Chief Manufacturing  
[www.chiefmfg.com](http://www.chiefmfg.com)  
07/06

<b>USA/International</b>	<b>A</b> 8401 Eagle Creek Parkway, Savage, MN 55378 <b>P</b> 800.582.6480 / 952.894.6280 <b>F</b> 877.894.6918 / 952.894.6918
<b>Europe</b>	<b>A</b> Fellenoord 130 5611 ZB EINDHOVEN, The Netherlands <b>P</b> +31 (0)40 2668620 <b>F</b> +31 (0)40 2668615
<b>Asia Pacific</b>	<b>A</b> Room 30I, Block D, Lily YinDu International Building LuoGang, BuJi Town, Shenzhen, CHINA. Post Code: 518112 深圳市布吉罗岗百合银都国际大厦D栋30I <b>P</b> +86-755-8996 9226 ; 8996 9236 ; 8996 9220 <b>F</b> +86-755-8996 9217