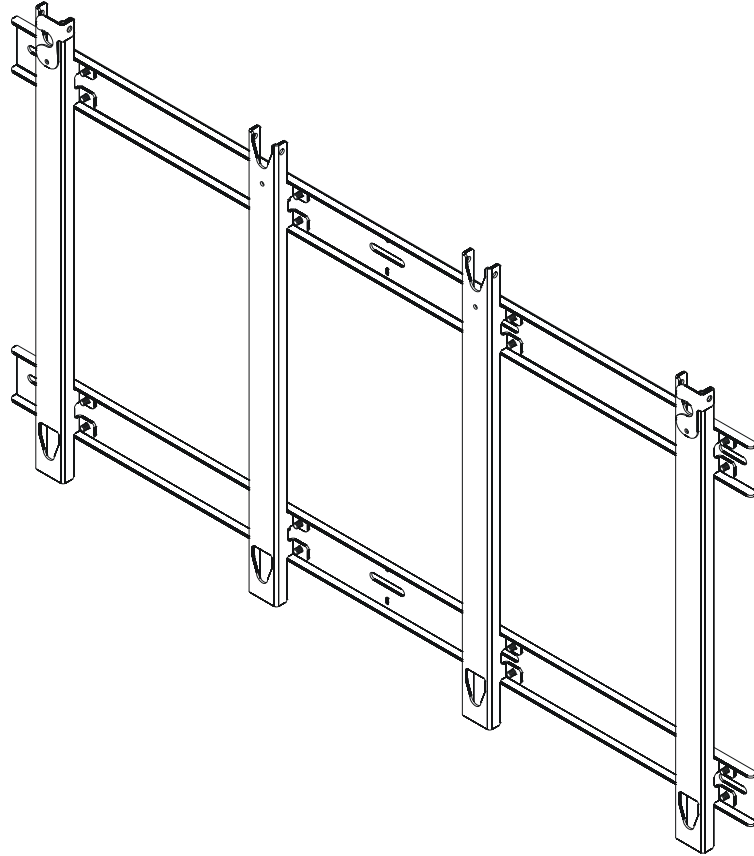

INSTALLATION INSTRUCTIONS



Large Flat Panel Static Wall Mount

DISCLAIMER

Milestone AV Technologies and its affiliated corporations and subsidiaries (collectively "Milestone"), intend to make this manual accurate and complete. However, Milestone makes no claim that the information contained herein covers all details, conditions or variations, nor does it provide for every possible contingency in connection with the installation or use of this product. The information contained in this document is subject to change without notice or obligation of any kind. Milestone makes no representation of warranty, expressed or implied, regarding the information contained herein. Milestone assumes no responsibility for accuracy, completeness or sufficiency of the information contained in this document.

Chief® is a registered trademark of Milestone AV Technologies. All rights reserved.

! IMPORTANT WARNINGS AND CAUTIONS!

! WARNING: A WARNING alerts you to the possibility of serious injury or death if you do not follow the instructions.

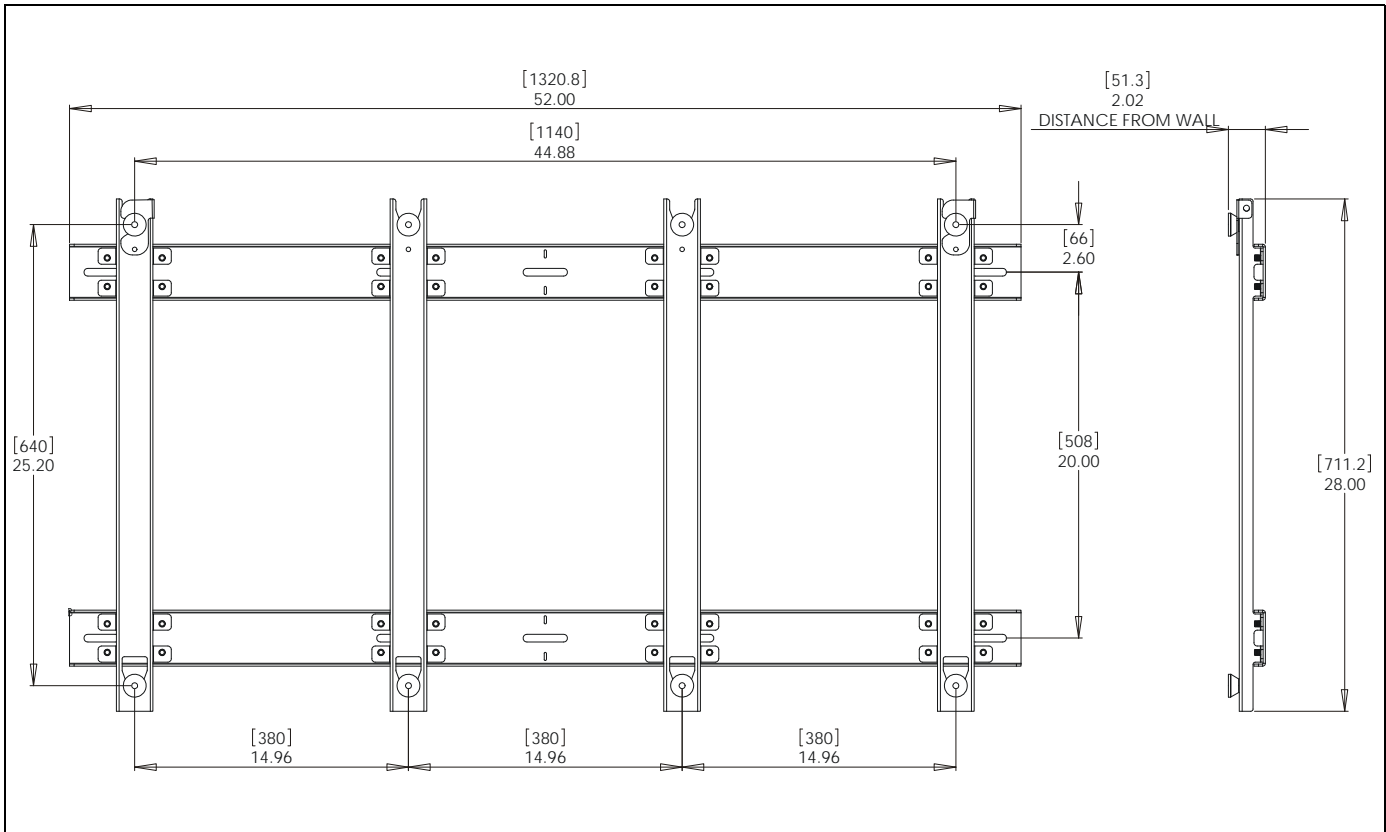
! CAUTION: A CAUTION alerts you to the possibility of damage or destruction of equipment if you do not follow the corresponding instructions.

! WARNING: Failure to read, thoroughly understand, and follow all instructions can result in serious personal injury, damage to equipment, or voiding of factory warranty! It is the installer's responsibility to make sure all components are properly assembled and installed using the instructions provided.

! WARNING: Failure to provide adequate structural strength for this component can result in serious personal injury or damage to equipment! It is the installer's responsibility to make sure the structure to which this component is attached can support a minimum of 2,000lbs (907.185kg). Reinforce the structure as required before installing the component. The wall to which the mount is being attached may have a maximum drywall thickness of 5/8" (1.6cm).

! WARNING: Exceeding the weight capacity can result in serious personal injury or damage to equipment! It is the installer's responsibility to make sure the combined weight of all components attached to the PSMH-2582 mount does not exceed 300 lbs (136.08 kg).

DIMENSIONS



LEGEND

	Tighten Fastener
	Apretar elemento de fijación
	Befestigungsteil festziehen
	Apertar fixador
	Serrare il fissaggio
	Bevestiging vastdraaien
	Serrez les fixations

	Pencil Mark
	Marcar con lápiz
	Stiftmarkierung
	Marcar com lápis
	Segno a matita
	Potloodmerkten
	Marquage au crayon

	Loosen Fastener
	Aflojar elemento de fijación
	Befestigungsteil lösen
	Desapertar fixador
	Allentare il fissaggio
	Bevestiging losdraaien
	Desserrez les fixations

	Drill Hole
	Perforar
	Bohrloch
	Fazer furo
	Praticare un foro
	Gat boren
	Percez un trou

	Open-Ended Wrench
	Destornillador Phillips
	Kreuzschlitzschraubendreher
	Chave de fendas Phillips
	Cacciavite a stella
	Kruiskopschroevendraaier
	Tournevis à pointe cruciforme

	Hex-Head Wrench
	Ajustar
	Einstellen
	Ajustar
	Regolare
	Afstellen
	Ajuster

TOOLS FOR INSTALLATION/PARTS

		+		1/4"		13mm		M5 (included)							
		A(4)	[Vertical Bracket]		B(2)	[Horizontal Bracket]		C(2)	M8 x 20mm		D(8)	M8 x 35mm		E(8)	M8
		F(34)	M8		G(2)	[Locking Flag]		H(8)	3/8"		J(2)	M8		K(1)	M5

ASSEMBLY AND INSTALLATION

Mount Installation

1. Attach locking flags (G) to two of four vertical brackets (A) by installing two M8 x 20mm button head cap screws through lower hole on locking flags, upper hole on vertical brackets, M8 washers (J) and into two M8 lug nuts (F). (See Figure 1)

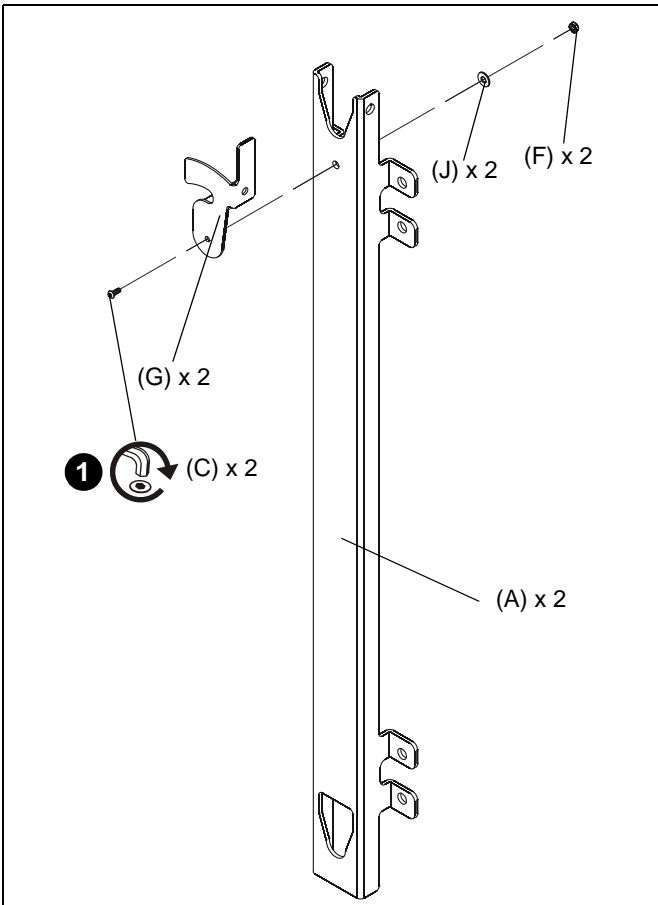


Figure 1



WARNING: IMPROPER INSTALLATION CAN LEAD TO DISPLAY FALLING CAUSING SERIOUS PERSONAL INJURY OR DAMAGE TO EQUIPMENT! It is the installer's responsibility to make sure the structure to which this mount is being attached can support a minimum of 2,000 lbs (907.18kg). Reinforce the structure as required before installing this mount.

2. Raise upper horizontal bracket (B) against wall in desired installation location. (See Figure 2)
3. Level and adjust horizontal position making certain slots in upper horizontal bracket on mount are properly positioned over studs.
4. Using a pencil, or similar marking tool, mark the location of mounting holes in base onto surface. (See Figure 2)
5. Hang two vertical brackets (A) from upper horizontal bracket to determine mounting position for lower horizontal bracket. (See Figure 2)
6. Raise lower horizontal bracket (B) against wall in desired installation location using vertical brackets to determine

distance from upper horizontal bracket. (See Figure 2)

7. Mark the location of mounting holes for the lower horizontal bracket in base onto surface. (See Figure 2)
8. Drill eight 1/4" pilot holes at marked locations. (See Figure 2)

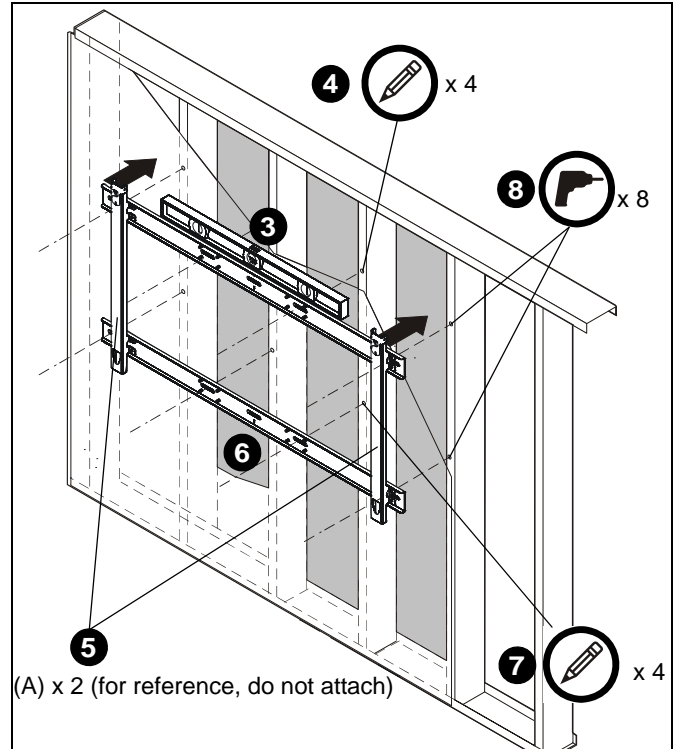


Figure 2

9. Secure mount to studs using appropriate hardware for mounting surface and eight 3/8" washers (H). (See Figure 3)

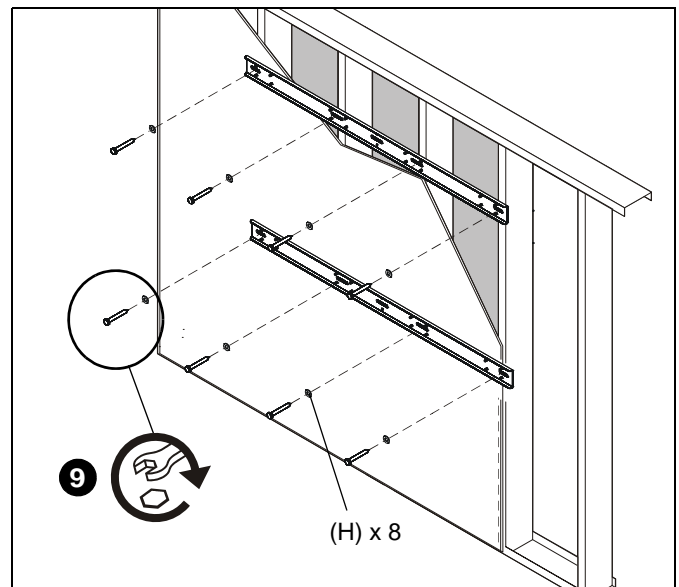


Figure 3

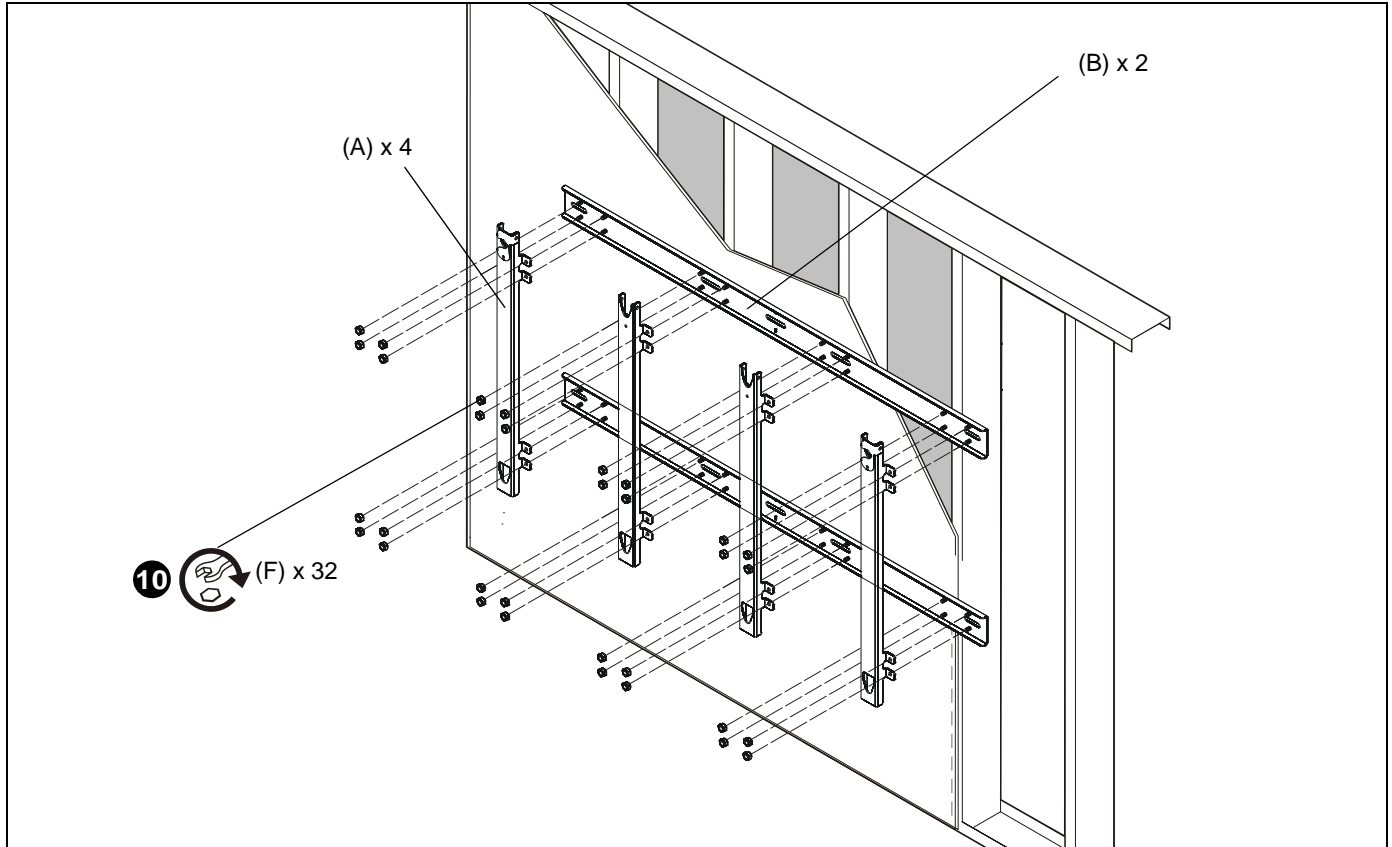


Figure 4

10. Attach four vertical brackets (A) to two horizontal brackets (B) using remaining thirty-two M8 nylon lock nuts (F). The vertical brackets with locking flags installed must be attached as the outer two brackets. (See Figure 4)

Display Installation



WARNING: IMPROPER INSTALLATION CAN LEAD TO MOUNT FALLING CAUSING SERIOUS PERSONAL INJURY OR DAMAGE TO EQUIPMENT! DO NOT substitute hardware.

1. Move locking flags (G) on mount to the OPEN position. (See Figure 5)

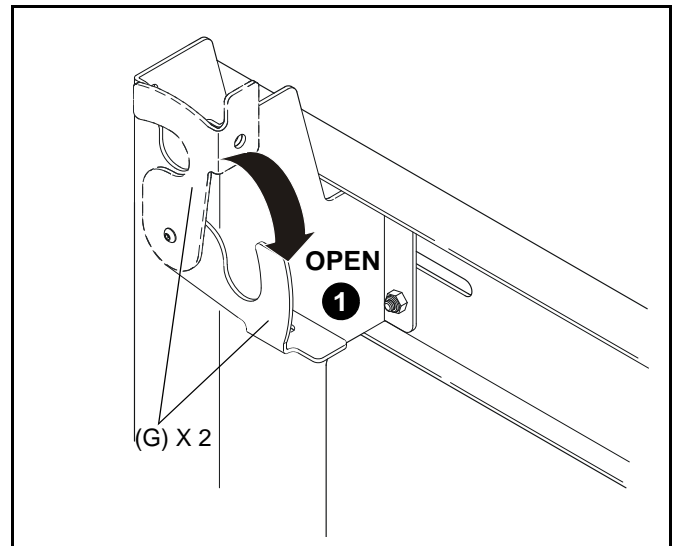


Figure 5

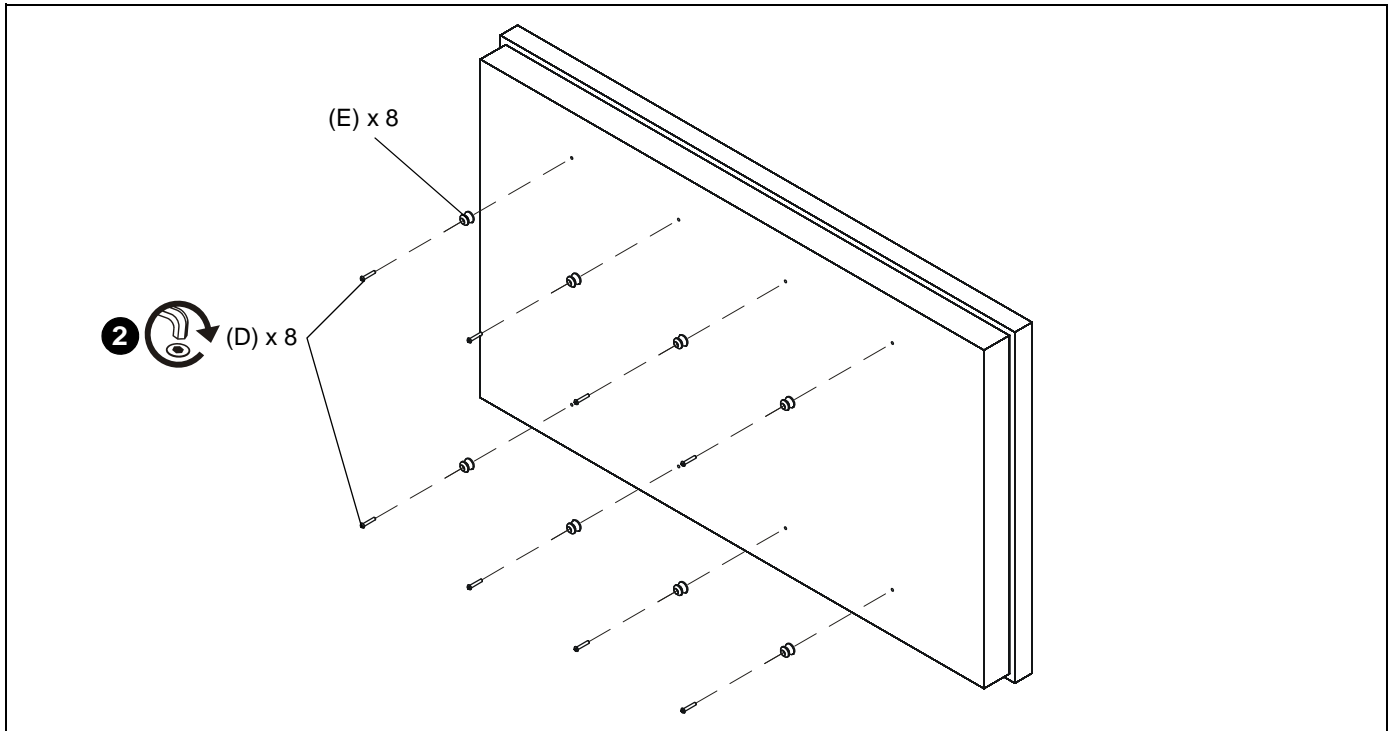


Figure 6

2. Install eight mounting buttons (E) onto display using eight M8 x 35mm button head cap screws (D). (See Figure 6)
3. Lift display following lifting instructions provided by display manufacturer.
4. Align mounting buttons on display with teardrop mounting holes in mount. (See Figure 7)
5. Move display forward until recessed area of mounting buttons is positioned over lower area of teardrop mounting holes. (See Figure 7)
6. Lower display until recess area of mounting buttons is seated in lower area of teardrop mounting holes. (See Figure 7)
7. Move locking flags (G) to CLOSED position and lock if desired. (See Figure 8)

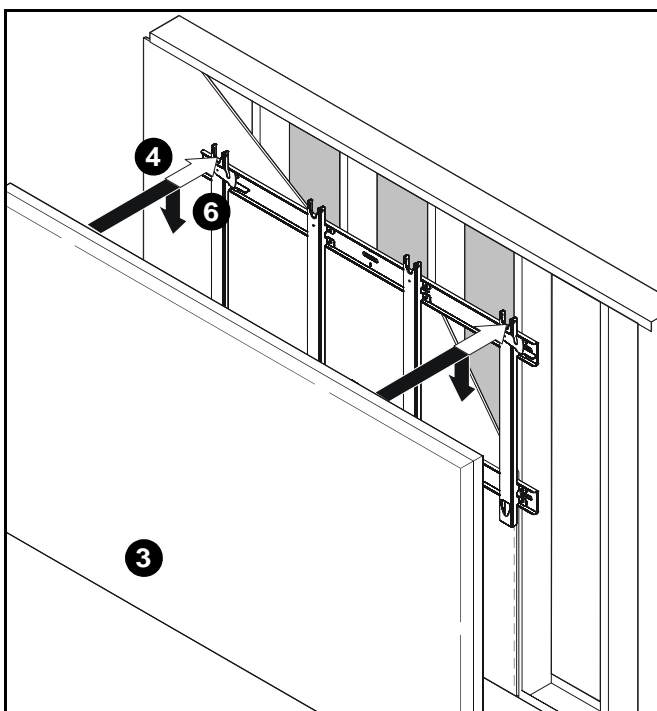


Figure 7

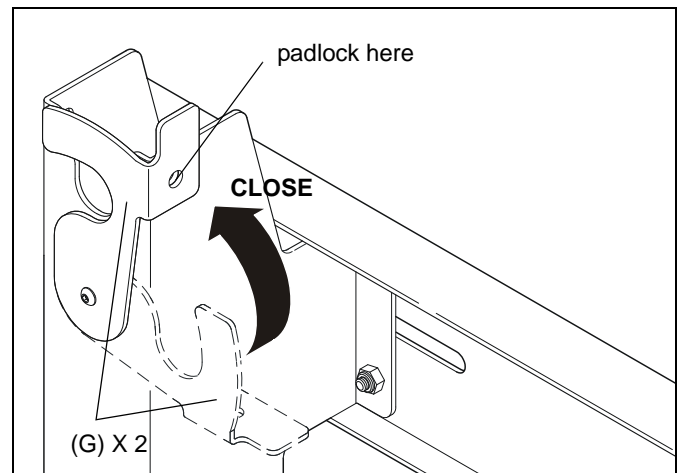


Figure 8

8. Route wires and cables to display.



Our Mounts. Your Vision.

Chief Manufacturing, a products division
of Milestone AV Technologies

8805-002002 Rev 01
©2009 Milestone Technologies, a
Duchossois Group Company
www.chiefmfg.com
06/09

USA/International A 8401 Eagle Creek Parkway, Savage, MN 55378
P 800.582.6480 / 952.894.6280
F 877.894.6918 / 952.894.6918

Europe A Fellenoord 130 5611 ZB EINDHOVEN, The Netherlands
P +31 (0)40 2668620
F +31 (0)40 2668615

Asia Pacific A Room 24F, Block D, Lily YinDu International Building
LuoGang, BuJi Town, Shenzhen, CHINA.

深圳市布吉罗岗村百合银都国际大厦D栋24F

P +86-755-8996 9226
F +86-755-8996 9217

