

---

# INSTALLATION INSTRUCTIONS

---

## DISPLAY STATIC MOUNT PSMH-2600

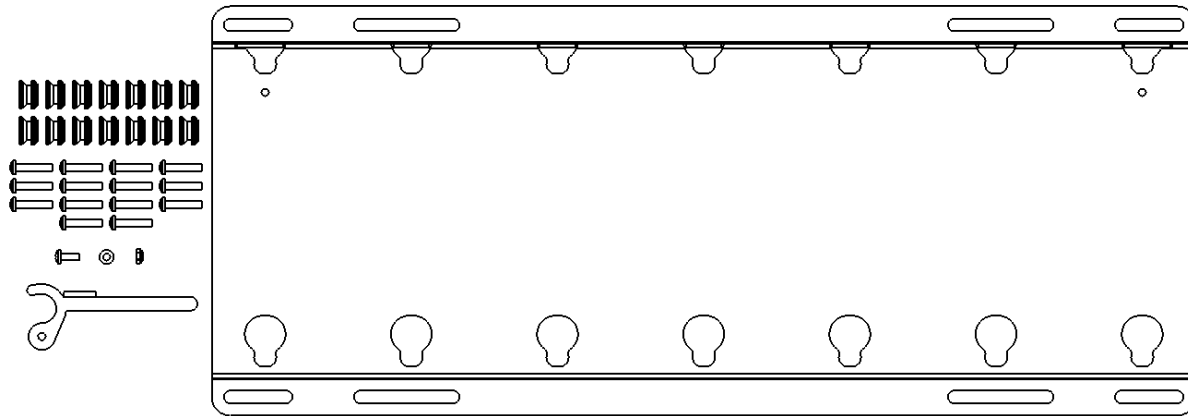


Figure 1

- |                                    |                       |
|------------------------------------|-----------------------|
| (1) Static Display Mount           | (14) Mounting Buttons |
| (14) M5 x 25mm Phillips Head Screw | (1) Nylon Washer      |
| (1) Latching Flag                  | (1) 10-24 Nylock Nut  |
| (1) 10-24 x .5 Phillips Head Screw |                       |

**BEFORE PROCEEDING:** Unpack the carton, verify contents shown in Figure 1 and read installation instructions completely. If you are missing any of the listed components, please contact Customer Service at 1-800/582-6480.

**CAUTION!** Plasma Displays are Extremely Fragile.

## WARNING

**ALL COMPONENTS MUST BE SECURELY FASTENED TO A STRUCTURAL MEMBER CAPABLE OF SUPPORTING 4 TIMES THE COMBINED WEIGHT OF ALL COMPONENTS PLUS THE EQUIPMENT BEING MOUNTED. IF IT CANNOT SUPPORT THIS WEIGHT, THE STRUCTURE MUST BE REINFORCED. THE MAXIMUM WEIGHT TO BE INSTALLED ON THE MOUNT IS 175 POUNDS (79.38 KG).**

1. Attach latching flag to mount using the 10-24 Phillips flat head screw, Nylon washer, and Nylock nut (see Figure 2). Tighten until friction will hold the flag in place.
2. Attach mounting buttons to display using four M5 screws provided (see Figure 3 & Figure 4).



Our Mounts. **Your Vision.**

Chief Manufacturing,  
a products division of Milestone AV Technologies  
8401 Eagle Creek Parkway, Savage, MN 55378  
800.582.6480 / 952.894.6280 F: 877.894.6918 / 952.894.6918

8805--000290  
©2009 Milestone AV Technologies,  
a Duchossois Group Company

01/09

---

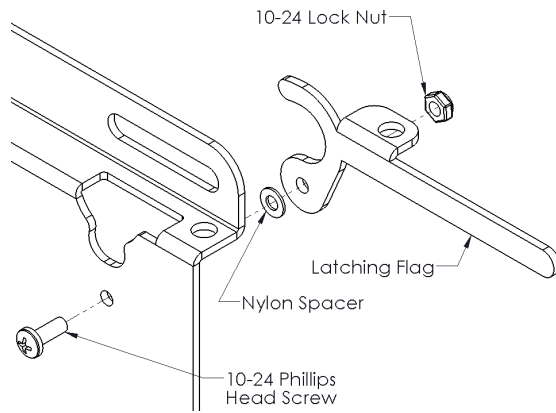


Figure 2

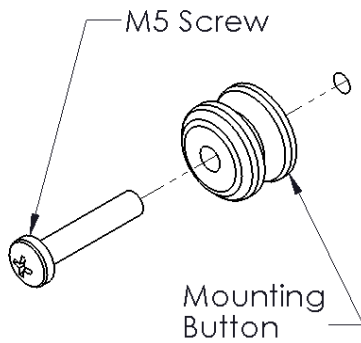


Figure 3

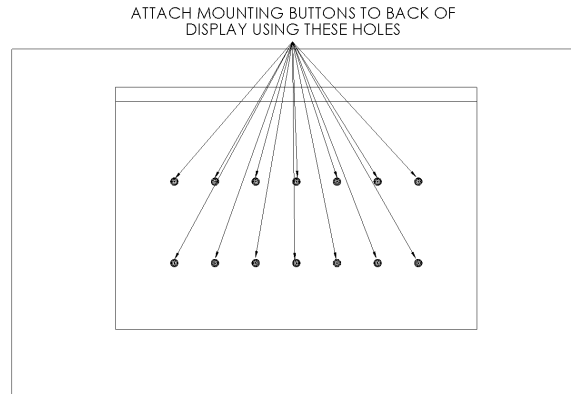


Figure 4

3. Securely anchor the static mount to wall studs or supporting framework (see WARNING).
4. Make sure the flag is lowered before attempting to place the screen on the mount.
5. With the aid of another person, lift the display up to the mount, align the mounting buttons on the display with the teardrop slots in the mount, and set the display into place.
6. Position (raise) the flag to secure the display. For extra security a paddle lock may be used to secure the flag.