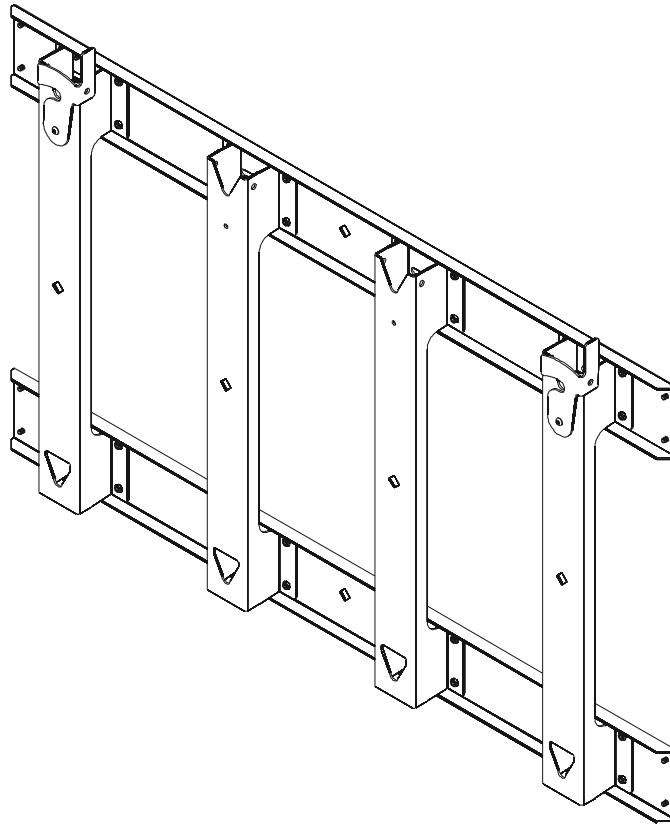

INSTALLATION INSTRUCTIONS



Large Flat Panel Static Wall Mount

DISCLAIMER

Milestone AV Technologies and its affiliated corporations and subsidiaries (collectively "Milestone"), intend to make this manual accurate and complete. However, Milestone makes no claim that the information contained herein covers all details, conditions or variations, nor does it provide for every possible contingency in connection with the installation or use of this product. The information contained in this document is subject to change without notice or obligation of any kind. Milestone makes no representation of warranty, expressed or implied, regarding the information contained herein. Milestone assumes no responsibility for accuracy, completeness or sufficiency of the information contained in this document.

Chief® is a registered trademark of Milestone AV Technologies. All rights reserved.



WARNING: Exceeding the weight capacity can result in serious personal injury or damage to equipment! It is the installer's responsibility to make sure the combined weight of all components attached to the PSMH-2682 mount does not exceed 320 lbs (119.44 kg).

--SAVE THESE INSTRUCTIONS--



IMPORTANT SAFETY INSTRUCTIONS!



WARNING: A WARNING alerts you to the possibility of serious injury or death if you do not follow the instructions.



CAUTION: A CAUTION alerts you to the possibility of damage or destruction of equipment if you do not follow the corresponding instructions.



WARNING: Failure to read, thoroughly understand, and follow all instructions can result in serious personal injury, damage to equipment, or voiding of factory warranty! It is the installer's responsibility to make sure all components are properly assembled and installed using the instructions provided.



WARNING: Failure to provide adequate structural strength for this component can result in serious personal injury or damage to equipment! It is the installer's responsibility to make sure the structure to which this component is attached can support a minimum of 2,000lbs (907.185kg). Reinforce the structure as required before installing the component. The wall to which the mount is being attached may have a maximum drywall thickness of 5/8" (1.6cm). Do not install drywall anchors into the seam between drywall pieces.



WARNING: Use this mounting system only for its intended use as described in these instructions. Do not use attachments not recommended by the manufacturer.

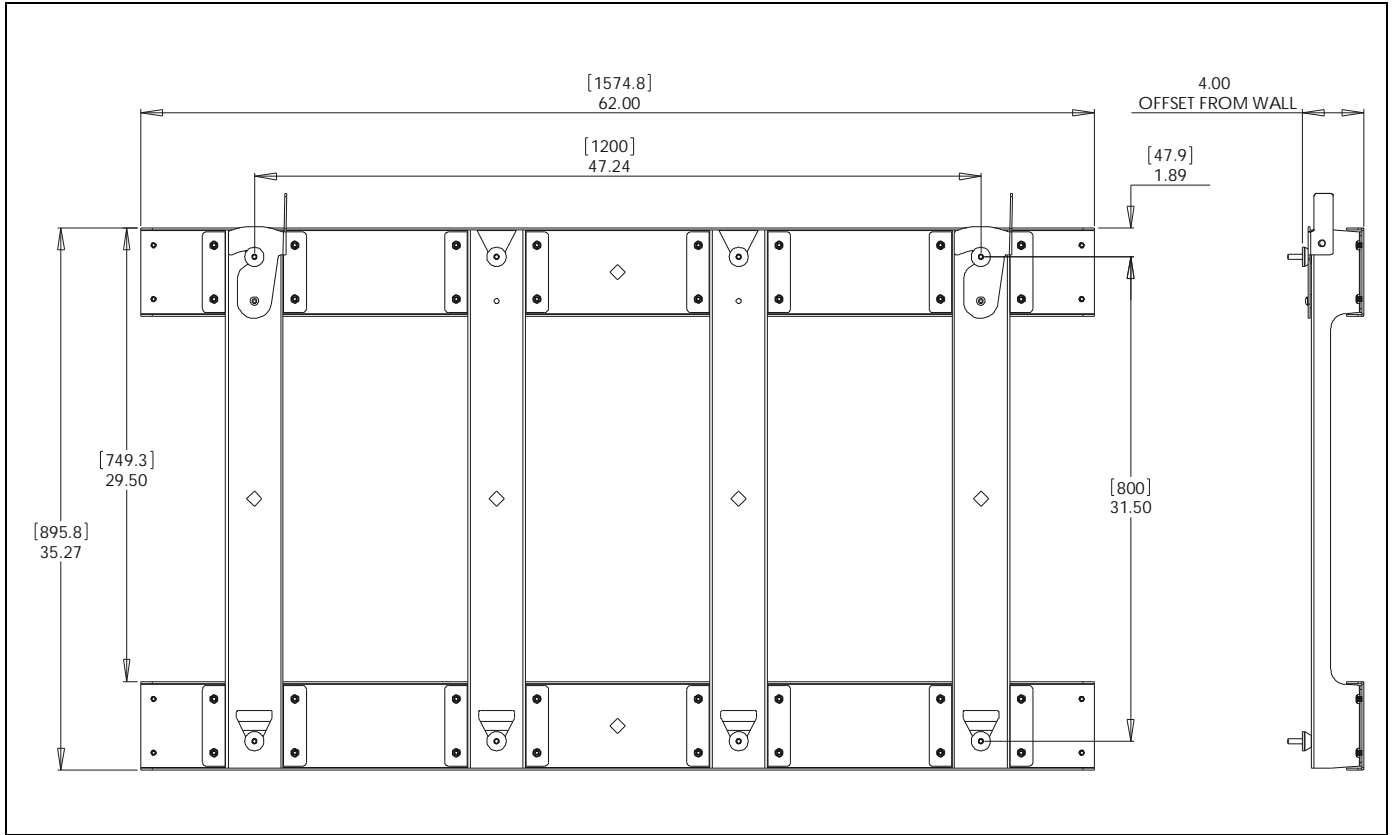


WARNING: Never operate this mounting system if it is damaged. Return the mounting system to a service center for examination and repair.



WARNING: Do not use this product outdoors.

DIMENSIONS



LEGEND

	Tighten Fastener
	Apretar elemento de fijación
	Befestigungsteil festziehen
	Apertar fixador
	Serrare il fissaggio
	Bevestiging vastdraaien
Serrez les fixations	

	Pencil Mark
	Marcar con lápiz
	Stiftmarkierung
	Marcar com lápis
	Segno a matita
	Potloodmerkteken
Marquage au crayon	

	Loosen Fastener
	Aflojar elemento de fijación
	Befestigungsteil lösen
	Desapertar fixador
	Allentare il fissaggio
	Bevestiging losdraaien
Desserrez les fixations	

	Drill Hole
	Perforar
	Bohrloch
	Fazer furo
	Praticare un foro
	Gat boren
Percez un trou	

	Open-Ended Wrench
	Destornillador Phillips
	Kreuzschlitzschraubendreher
	Chave de fendas Phillips
	Cacciavite a stella
	Kruiskopschroevendraaier
Tournevis à pointe cruciforme	

	Hex-Head Wrench
	Ajustar
	Einstellen
	Ajustar
	Regolare
	Afstellen
Ajuster	

TOOLS FOR INSTALLATION/PARTS

					M5 (included)
	A (2) [Outside Vertical Bracket]	B (2) [Inside Vertical Bracket]	C (2) [Horizontal Bracket]		
	D (8) M8 x 45mm	E (8) M8	F (32) 5/16-18"	G (1) M5	

ASSEMBLY AND INSTALLATION

Mount Installation



WARNING: IMPROPER INSTALLATION CAN LEAD TO DISPLAY FALLING CAUSING SERIOUS PERSONAL INJURY OR DAMAGE TO EQUIPMENT! It is the installer's responsibility to make sure the structure to which this mount is being attached can support a minimum of 2,000 lbs (907.18kg). Reinforce the structure as required before installing this mount.

1. Raise upper horizontal bracket (C) against wall in desired installation location. (See Figure 1)
2. Level and adjust horizontal position making certain slots in upper horizontal bracket on mount are properly positioned over studs.
3. Using a pencil, or similar marking tool, mark the location of mounting holes in base onto surface. (See Figure 1)
4. Hang two outside vertical brackets (A) from upper horizontal bracket to determine mounting position for lower horizontal bracket. (See Figure 1)
5. Raise lower horizontal bracket (C) against wall in desired installation location using vertical brackets to determine distance from upper horizontal bracket. (See Figure 1)
6. Mark the location of mounting holes for the lower horizontal bracket in base onto surface. (See Figure 1)
7. Drill eight pilot holes at marked locations. (See Figure 1)

NOTE: Pilot hole size will depend on the type and size of fastener being used.

8. Secure horizontal brackets (C) to studs using appropriate hardware for mounting surface. (See Figure 2)

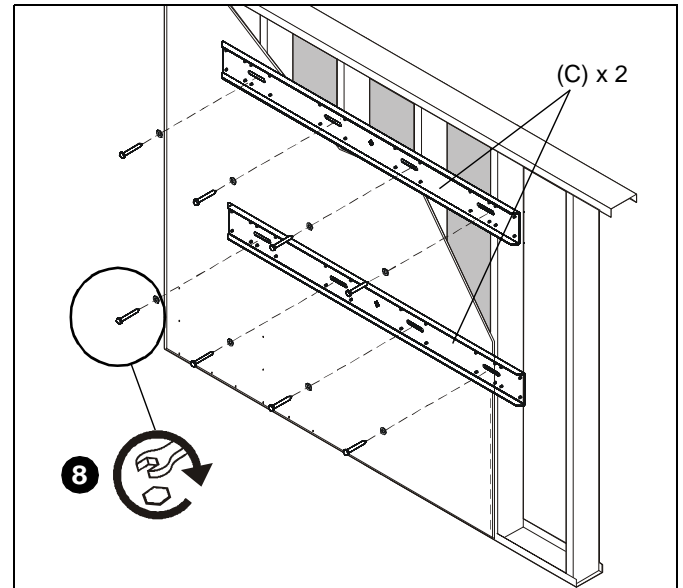


Figure 2

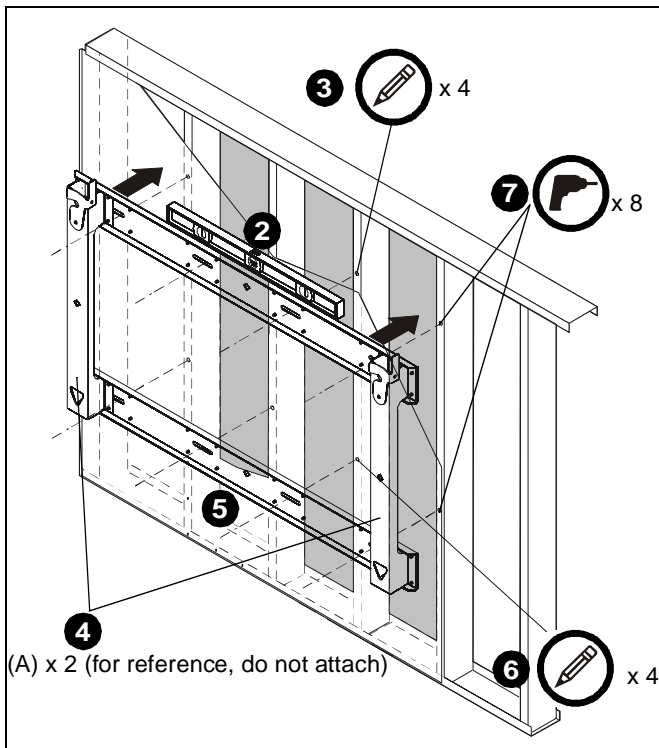


Figure 1

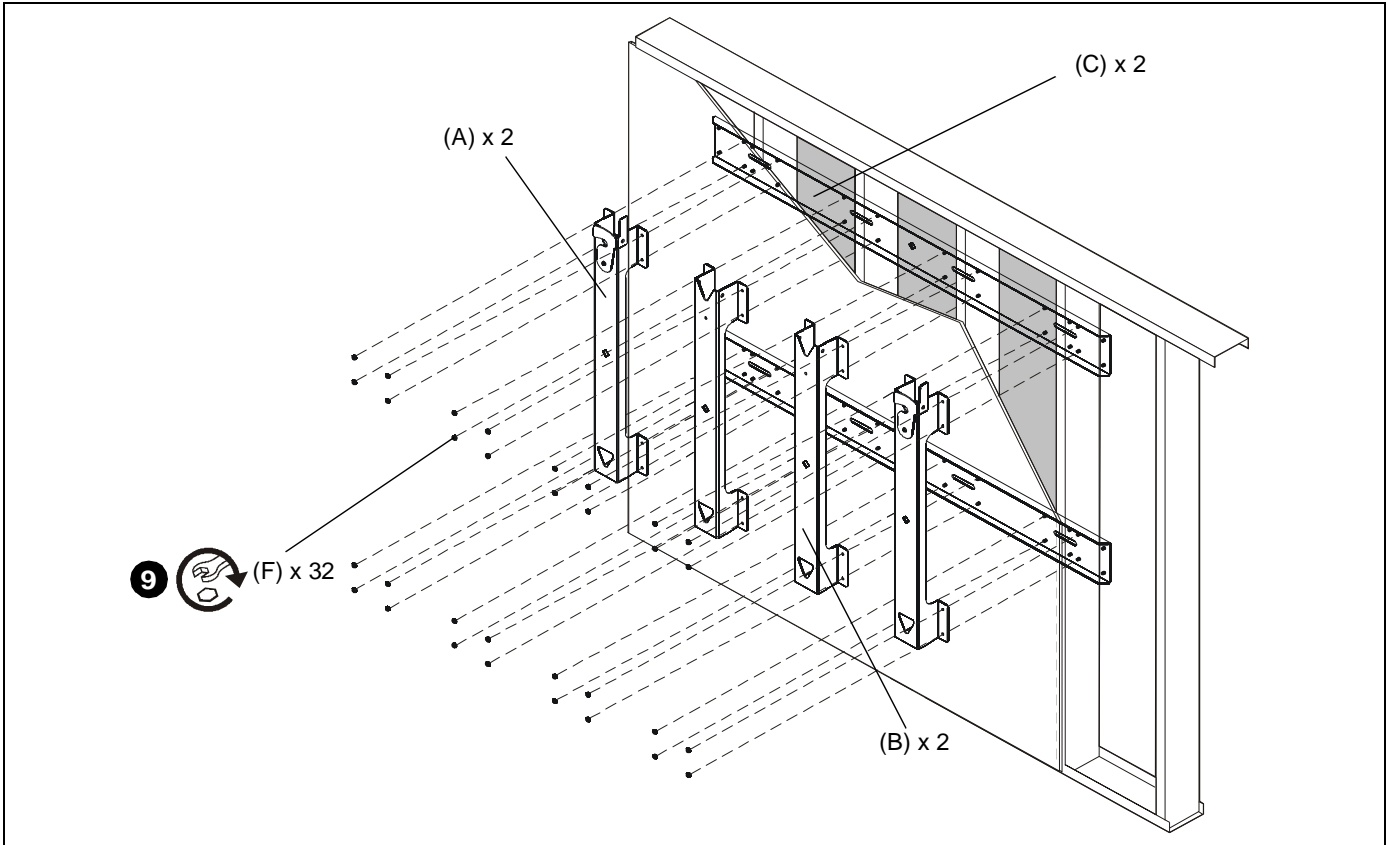


Figure 3

9. Attach two outside vertical brackets (A) and two inside vertical brackets (B) to two horizontal brackets (C) using thirty-two 5/16-18" nylon lock nuts (F). The outside vertical brackets installed must be attached as the outer two brackets. (See Figure 3)

Display Installation



WARNING: IMPROPER INSTALLATION CAN LEAD TO MOUNT FALLING CAUSING SERIOUS PERSONAL INJURY OR DAMAGE TO EQUIPMENT! DO NOT substitute hardware.

1. Move locking flags on mount to the OPEN position. (See Figure 4)

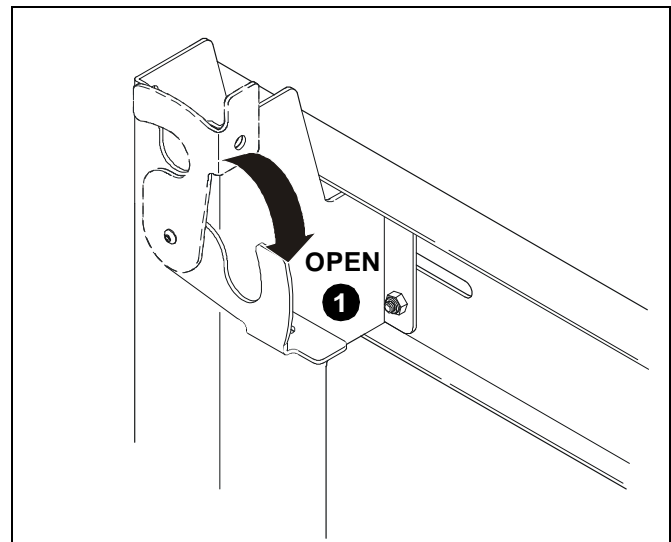


Figure 4

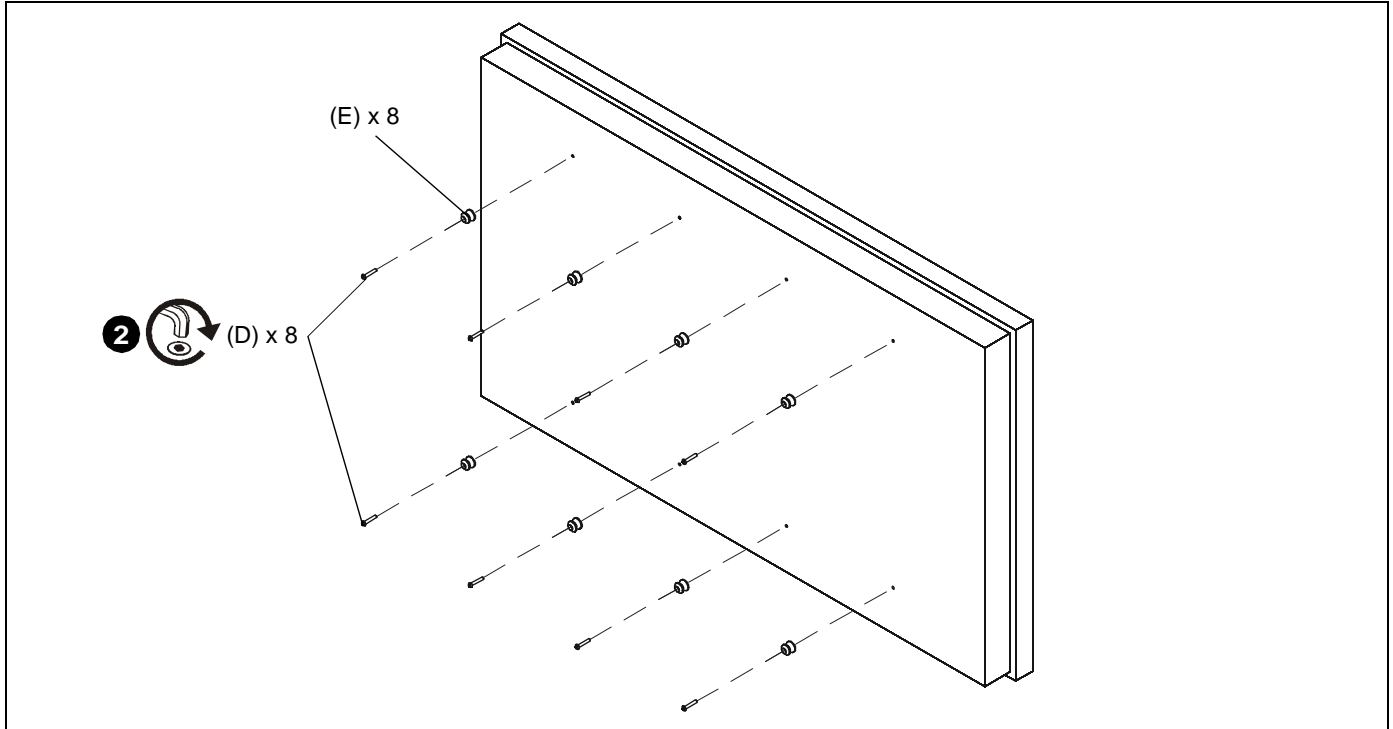


Figure 5

2. Install eight mounting buttons (E) onto display using eight M8 x 45 button head cap screws (D). (See Figure 5)
3. Lift display following lifting instructions provided by display manufacturer.
4. Align mounting buttons on display with teardrop mounting holes in mount. (See Figure 6)
5. Move display forward until recessed area of mounting buttons is positioned over lower area of teardrop mounting holes. (See Figure 6)
6. Lower display until recess area of mounting buttons is seated in lower area of teardrop mounting holes. (See Figure 6)
7. Move locking flags to CLOSED position and lock if desired. (See Figure 7)

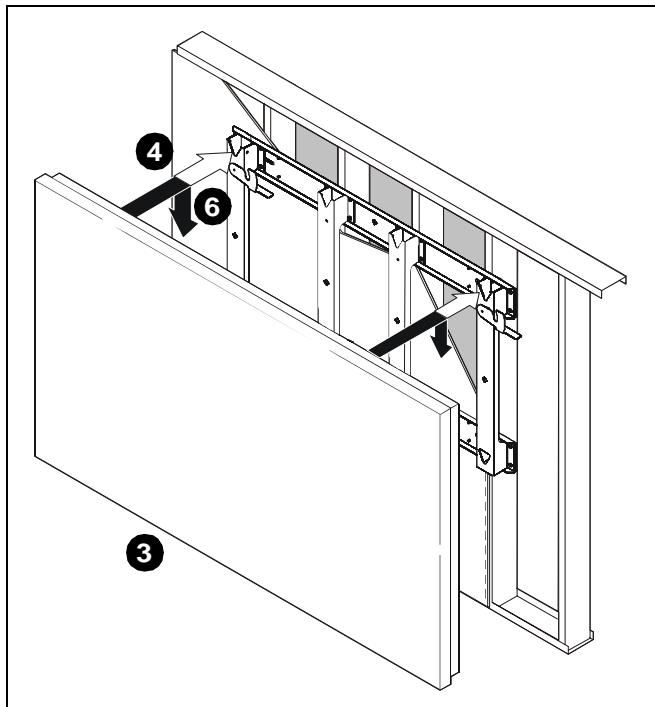


Figure 6

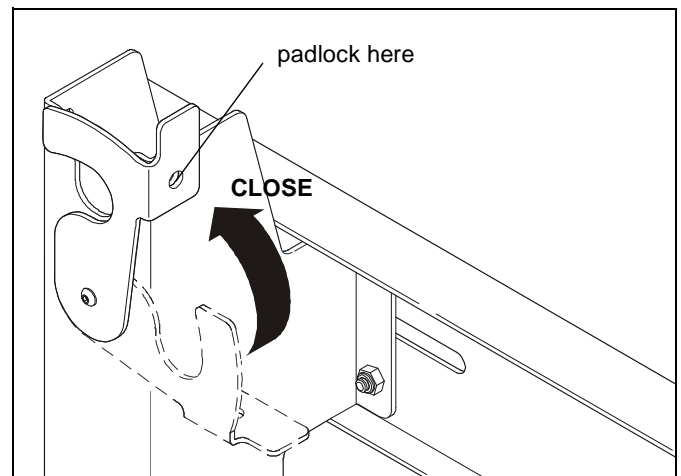


Figure 7

8. Route wires and cables to display.



Our Mounts. **Your Vision.**

Chief Manufacturing, a products division
of Milestone AV Technologies

8800-002130 Rev00

©2011 Milestone Technologies, a
Duchossois Group Company

www.chiefmfg.com

10/11

USA/International A 8401 Eagle Creek Parkway, Savage, MN 55378
P 800.582.6480 / 952.894.6280

F 877.894.6918 / 952.894.6918

Europe A Fellenoord 130 5611 ZB EINDHOVEN, The Netherlands

P +31 (0)40 2668620

F +31 (0)40 2668615

Asia Pacific A Room 24F, Block D, Lily YinDu International Building
LuoGang, BuJi Town, Shenzhen, CHINA.

深圳市布吉罗岗村百合银都国际大厦D栋24F

P +86-755-8996 9226

F +86-755-8996 9217

