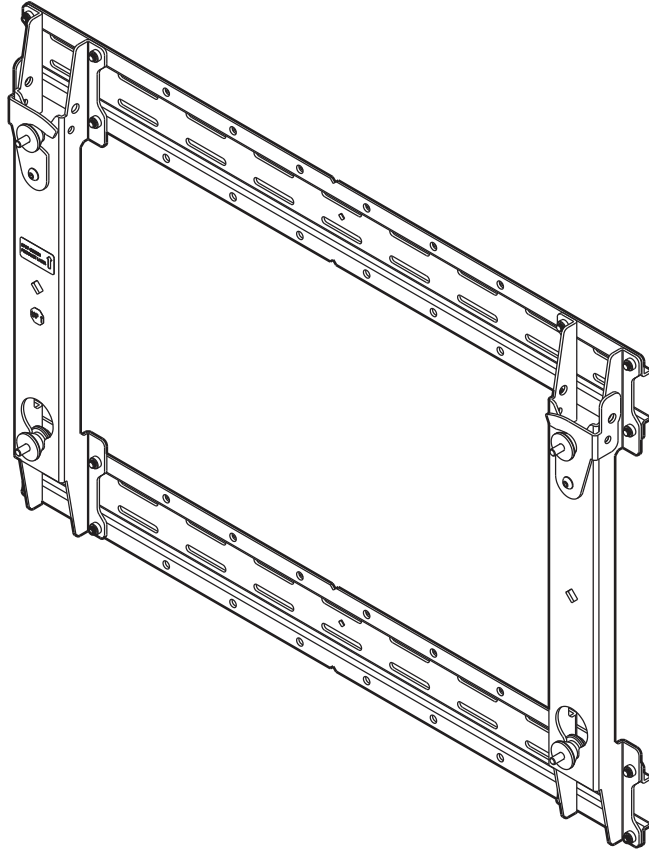

INSTALLATION INSTRUCTIONS



Large Flat Panel Static Wall Mount

DISCLAIMER

Milestone AV Technologies and its affiliated corporations and subsidiaries (collectively "Milestone"), intend to make this manual accurate and complete. However, Milestone makes no claim that the information contained herein covers all details, conditions or variations, nor does it provide for every possible contingency in connection with the installation or use of this product. The information contained in this document is subject to change without notice or obligation of any kind. Milestone makes no representation of warranty, expressed or implied, regarding the information contained herein. Milestone assumes no responsibility for accuracy, completeness or sufficiency of the information contained in this document.

Chief® is a registered trademark of Milestone AV Technologies. All rights reserved.

DEFINITIONS

MOUNTING SYSTEM: A MOUNTING SYSTEM is the primary Chief product to which an accessory and/or component is attached.

ACCESSORY: AN ACCESSORY is the secondary Chief product which is attached to a primary Chief product, and may have a component attached or setting on it.

COMPONENT: A COMPONENT is an audiovisual item designed to be attached or resting on an accessory or mounting system such as a video camera, CPU, screen, display, projector, etc.



WARNING: A WARNING alerts you to the possibility of serious injury or death if you do not follow the instructions.



CAUTION: A CAUTION alerts you to the possibility of damage or destruction of equipment if you do not follow the corresponding instructions.



IMPORTANT SAFETY INSTRUCTIONS



WARNING: Failure to read, thoroughly understand, and follow all instructions can result in serious personal injury, damage to equipment, or voiding of factory warranty! It is the installer's responsibility to make sure all mounting systems are properly assembled and installed using the instructions provided.



WARNING: Failure to provide adequate structural strength for this mounting system can result in serious personal injury or damage to equipment! It is the installer's responsibility to make sure the structure to which this mounting system is attached can support a minimum of 1200 lbs (544.3 kg). Reinforce the structure as required before installing the mounting system. The wall to which the mounting system is being attached may have a maximum drywall thickness of 5/8" (1.6cm).



WARNING: Exceeding the weight capacity can result in serious personal injury or damage to equipment! It is the installer's responsibility to make sure the structure to which this mounting system is attached can support a minimum of 1,200 lbs (544.3 kg). **Reinforce the structure as required before installing this mount.** It is the installer's responsibility to make sure the combined weight of all components attached to the mounting system does not exceed 300 lbs (136.1 kg).



WARNING: Use this mounting system only for its intended use as described in these instructions. Do not use attachments not recommended by the manufacturer.



WARNING: Never operate this mounting system if it is damaged. Return the mounting system to a service center for examination and repair.



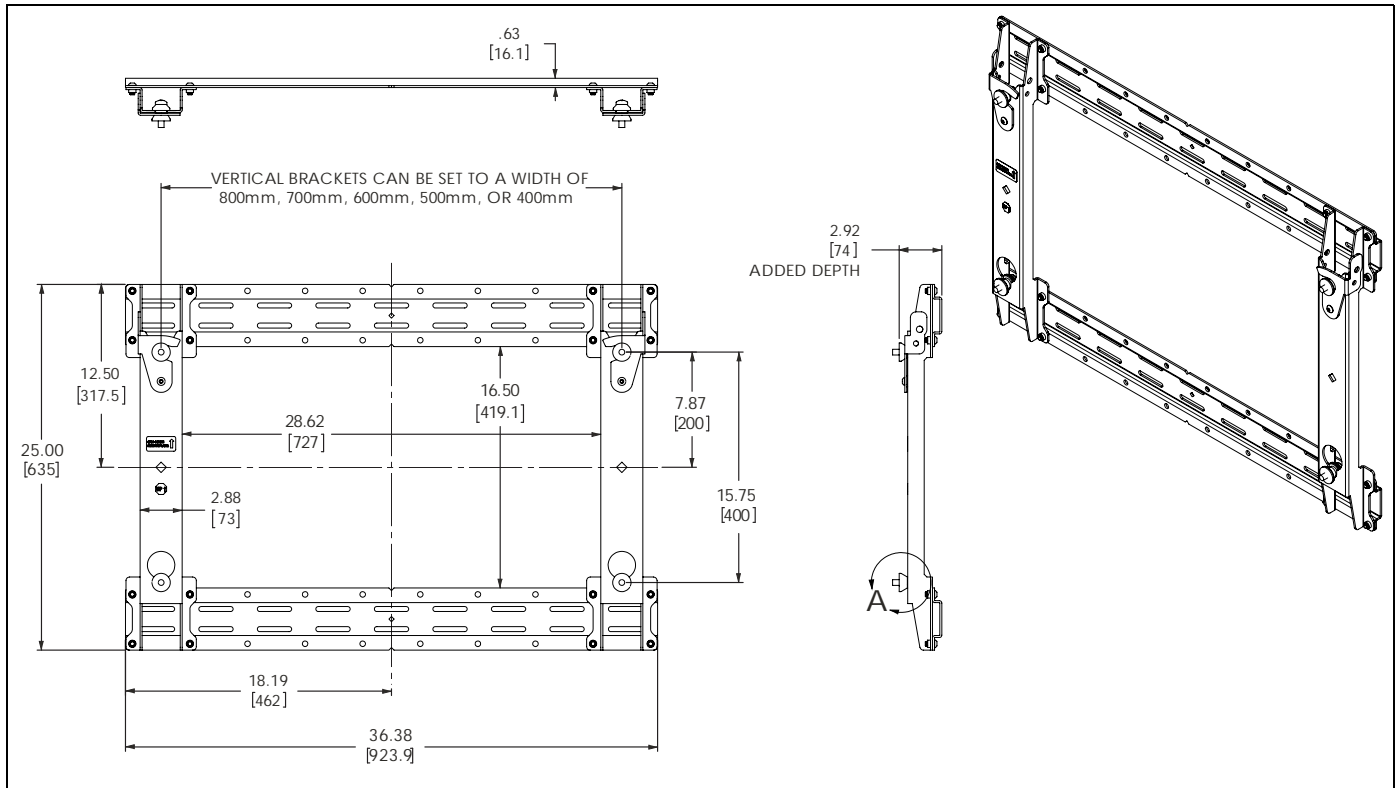
WARNING: Do not use this mounting system outdoors.

IMPORTANT ! : The PSMH2744 mounting system is designed to be mounted to a:

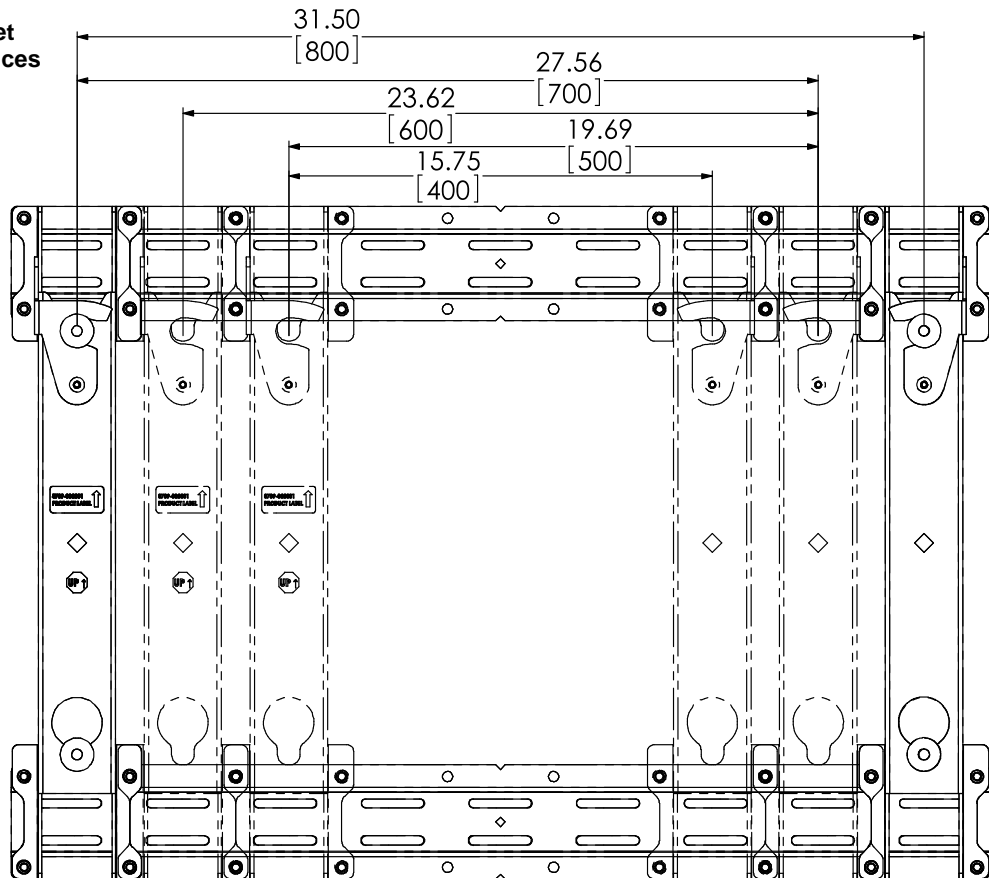
- 2" x 4" wood studs (16" on center or 24" on center) wall.

--SAVE THESE INSTRUCTIONS--

DIMENSIONS

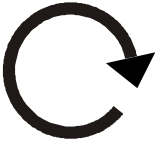

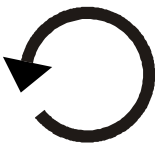





Vertical bracket mounting choices

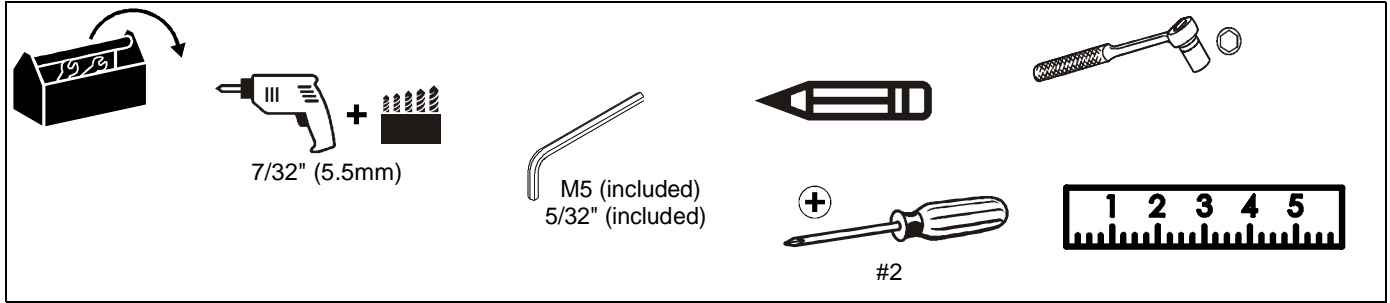


DIMENSIONS: [MILLIMETERS]
INCHES

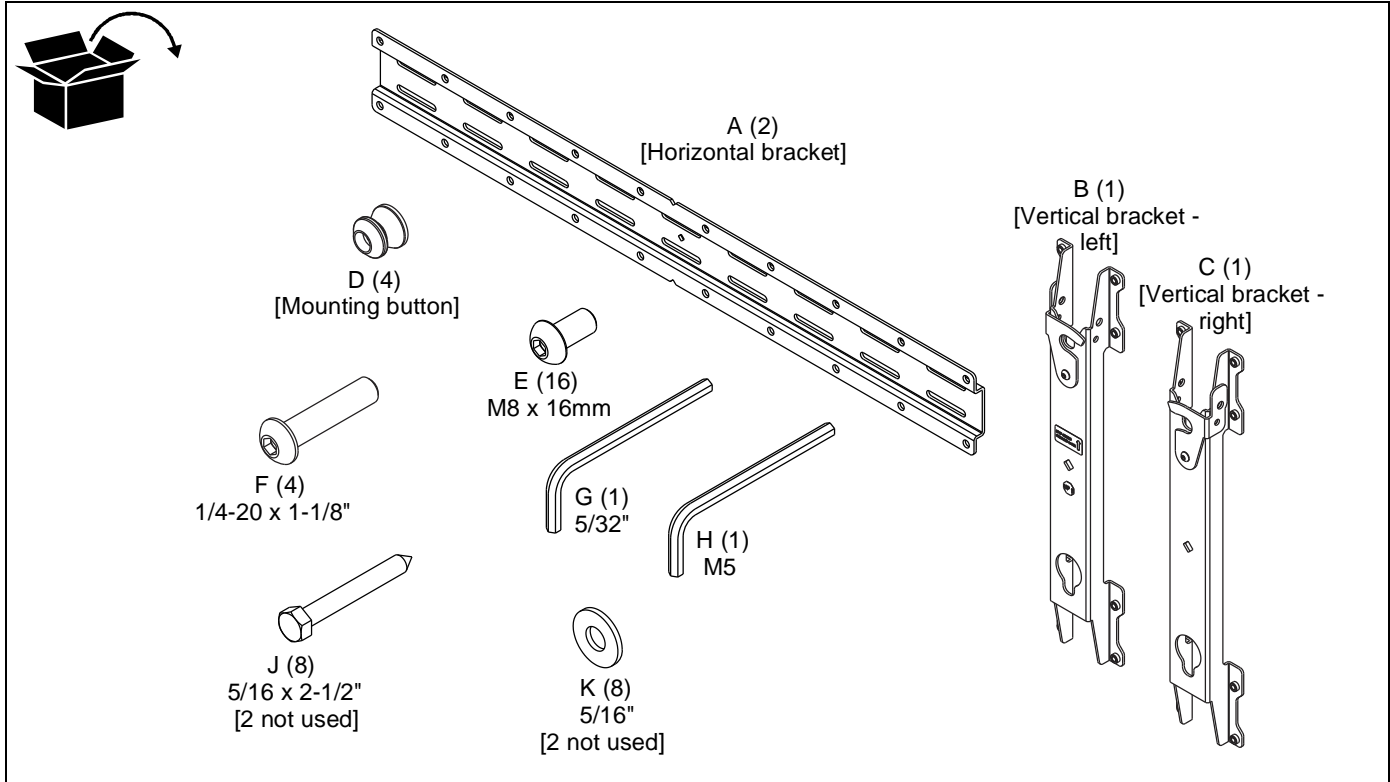
LEGEND

	Tighten Fastener Apretar elemento de fijación Befestigungsteil festziehen Apertar fixador Serrare il fissaggio Bevestiging vastdraaien Serrez les fixations		Pencil Mark Marcar con lápiz Stiftmarkierung Marcar com lápis Segno a matita Potloodmerkteken Marquage au crayon
	Loosen Fastener Aflojar elemento de fijación Befestigungsteil lösen Desapertar fixador Allentare il fissaggio Bevestiging losdraaien Desserrez les fixations		Drill Hole Perforar Bohrloch Fazer furo Praticare un foro Gat boren Percez un trou
	Phillips Screwdriver Destornillador Phillips Kreuzschlitzschraubendreher Chave de fendas Phillips Cacciavite a stella Kruiskopschroevendraaier Tournevis à pointe cruciforme		Hex-Head Wrench Llave de cabeza hexagonal Sechskantschlüssel Chave de cabeça sextavada Chiave esagonale Zeskantsleutel Clé à tête hexagonale

TOOLS REQUIRED FOR INSTALLATION



PARTS



Assembly and Installation

The PSMH2744 is designed to be installed on 2" x 4" wood studs, 16" on-center or 24" on-center.

Mount Assembly

IMPORTANT ! : Be sure that Q-latches on vertical brackets are located on **outside** edges of mount. (See Figure 1)

1. Attach two vertical brackets (B and C) to two horizontal brackets (A) using sixteen M8 x 16mm buttonhead cap screws (E). (See Figure 1)

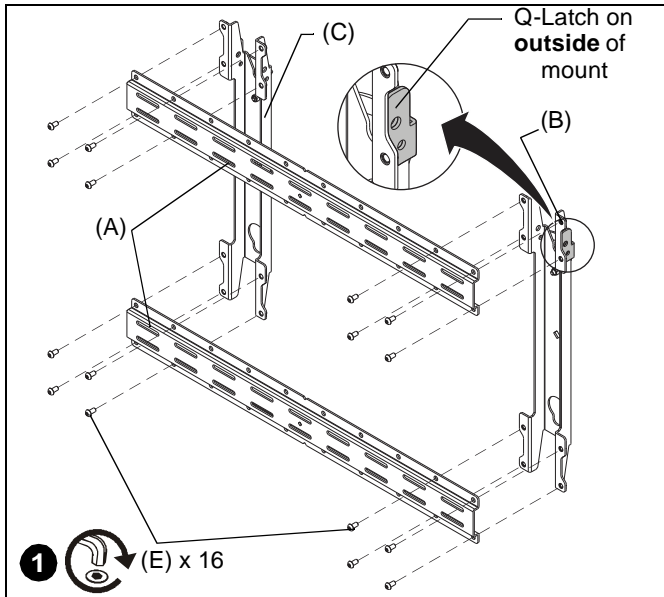


Figure 1

Mount Installation



WARNING: IMPROPER INSTALLATION CAN LEAD TO DISPLAY FALLING CAUSING SERIOUS PERSONAL INJURY OR DAMAGE TO EQUIPMENT! It is the installer's responsibility to make sure the structure to which this mount is being attached can support a minimum of 1,200 lbs (544.3 kg). Reinforce the structure as required before installing this mount.

1. Place mount against wall in desired installation location.
2. Level and adjust horizontal position making certain slots in upper and lower horizontal brackets on mount are properly positioned over studs.
3. Using a pencil, or similar marking tool, mark the location of six mounting holes (or four mounting holes for 24" on-center studs) in horizontal brackets onto surface. (See Figure 2)
4. Drill six 7/32" (four for 24" on-center studs) pilot holes at marked locations.



CAUTION: IMPROPER INSTALLATION CAN LEAD TO MOUNT FALLING CAUSING SERIOUS PERSONAL INJURY OR DAMAGE TO EQUIPMENT! DO NOT over tighten hardware!

5. Secure mount to studs using six 5/16 x 2-1/2" lag screws (J) and six 5/16" (K) flat washers [or four lag screws and four washers for 24" on-center studs]. (See Figure 2)

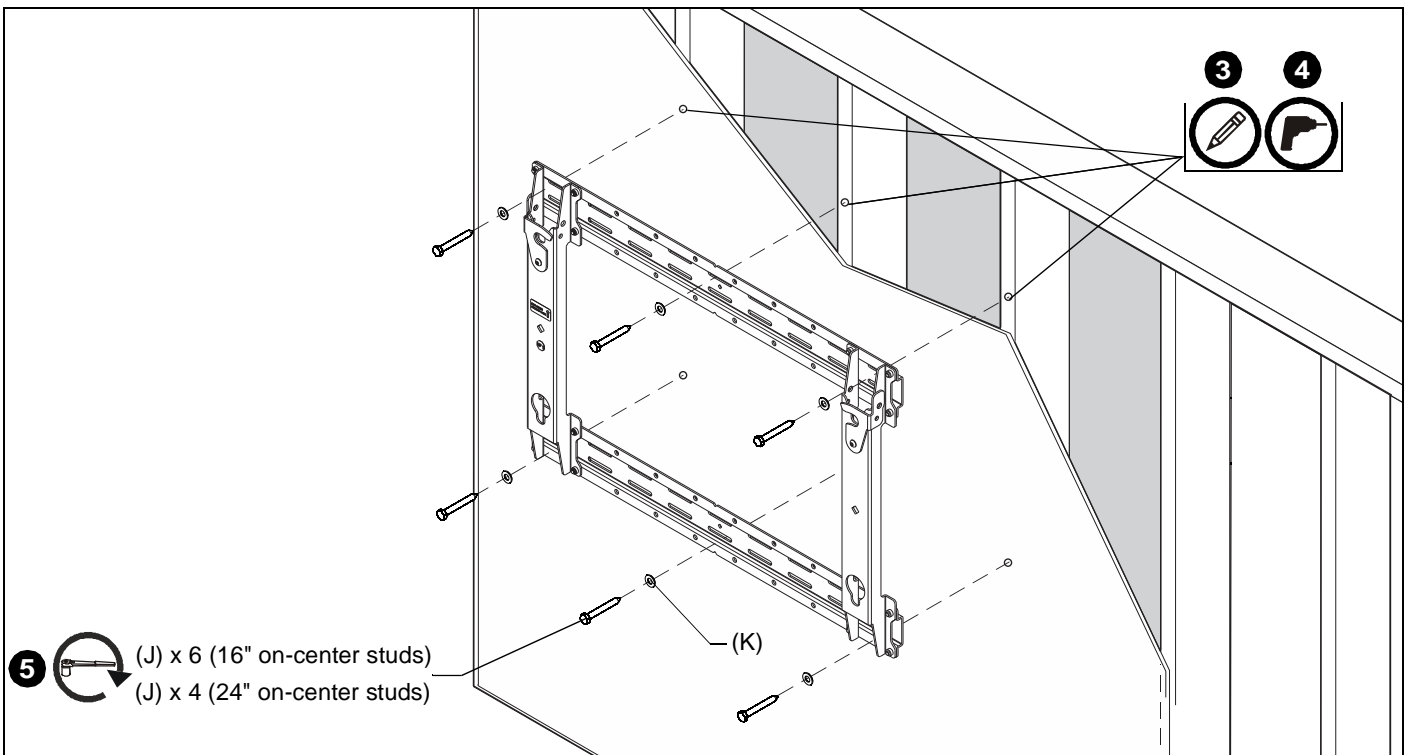


Figure 2

Display Installation



WARNING: IMPROPER INSTALLATION CAN LEAD TO MOUNT FALLING CAUSING SERIOUS PERSONAL INJURY OR DAMAGE TO EQUIPMENT! DO NOT substitute hardware.

1. Move Q-Latches on mount to the **OPEN** position. (See Figure 3)

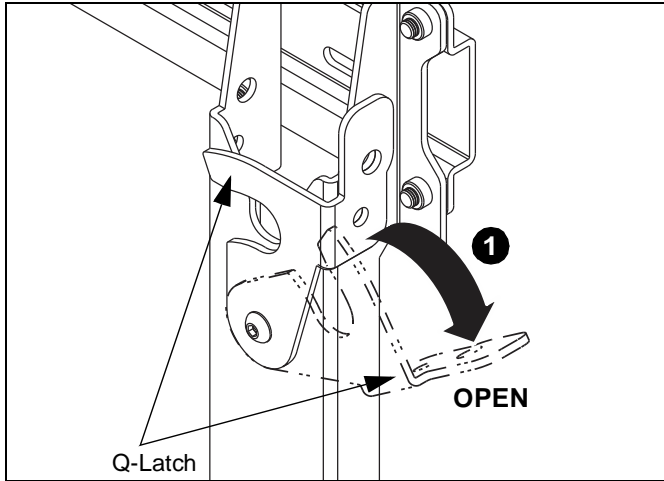


Figure 3

2. Install four mounting buttons (D) onto display using four 1/4-20 x 1-1/8" button head screws (F). (See Figure 4)

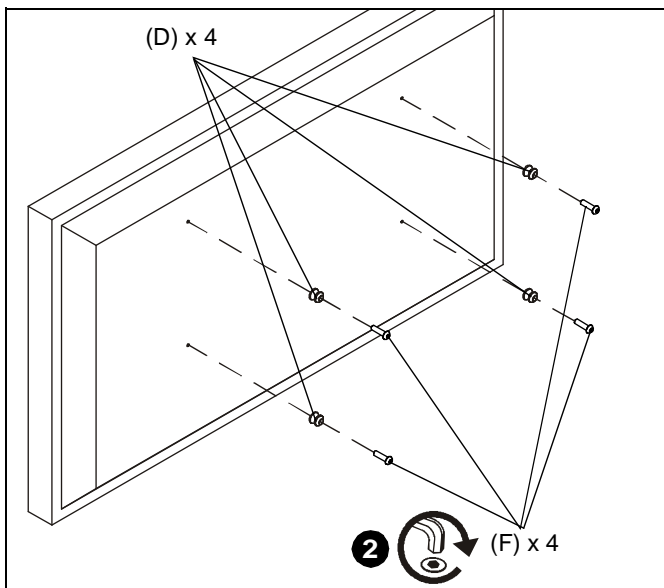


Figure 4

3. Lift display following lifting instructions provided by display manufacturer.
4. Align mounting buttons on display with teardrop mounting holes in mount. (See Figure 5)
5. Move display forward until recessed area of mounting buttons is positioned over lower area of teardrop mounting holes. (See Figure 5)

6. Lower display until recessed area of mounting buttons is seated in lower area of teardrop mounting holes. (See Figure 5)

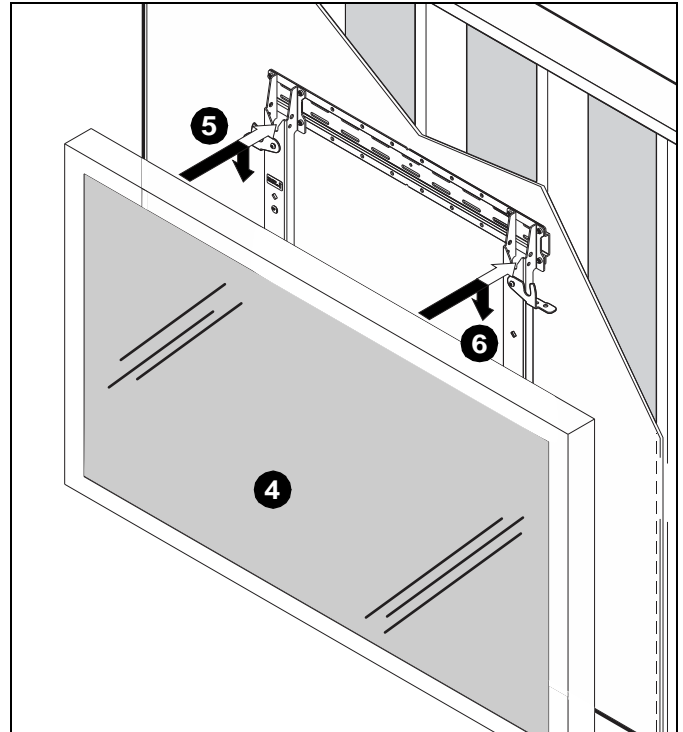


Figure 5

7. Move both Q-Latches to **CLOSED** position. (See Figure 6)
8. **OPTIONAL:** Lock Q-latches in place, if desired. (See Figure 6)

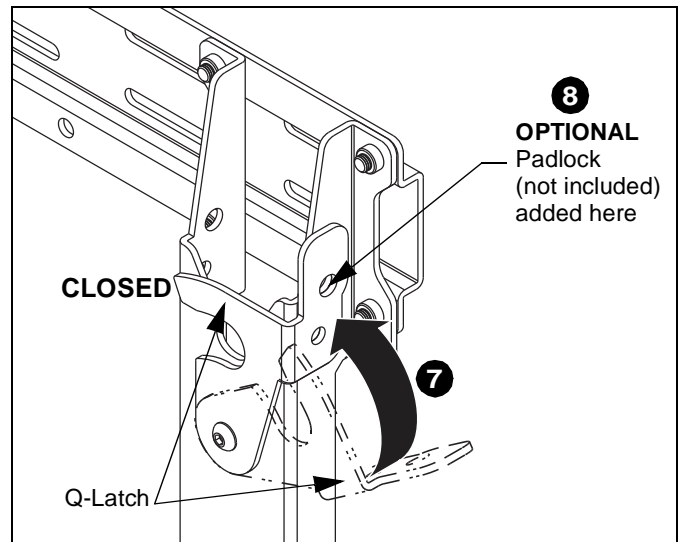


Figure 6

9. Route wires and cables to display.



Our Mounts. **Your Vision.**

Chief, a products division of
Milestone AV Technologies

8800-002941 Rev00
©2017 Milestone AV Technologies
www.milestone.com
02/17

USA/International	A 6436 City West Parkway, Eden Prairie, MN 55344
	P 800.582.6480 / 952.225.6000
	F 877.894.6918 / 952.894.6918
Europe	A Franklinstraat 14, 6003 DK Weert, Netherlands
	P +31 (0) 495 580 852
	F +31 (0) 495 580 845
Asia Pacific	A Office No. 918 on 9/F, Shatin Galleria 18-24 Shan Mei Street Fotan, Shatin, Hong Kong
	P 852 2145 4099
	F 852 2145 4477

