



INSTALLATION INSTRUCTIONS
PST/S & PRO/S
TRUSS ADAPTER BRACKET

Prior to assembly, unpack carton completely and verify contents.
If you are missing any of the following components, please contact Customer Service at 1-800/582-6480



Figure 1

- | | |
|---------------------------------------|-----------------------|
| (1) Truss Adapter Bracket | (4) 5/16" Lock Washer |
| (4) 5/16-18 x 5/8" Hex Head Cap Screw | (4) 5/16" Hex Nut |

BEFORE PROCEEDING, READ INSTALLATION INSTRUCTIONS COMPLETELY

CAUTION! PLASMA DISPLAYS ARE EXTREMELY FRAGILE.

1. Secure the Pro or PST to the truss adapter bracket using four 5/16-18 x 5/8" hex head cap screws, four 5/16" lock washers, and four 5/16" hex nuts inserted from the backside of bracket (See Figure 2).
2. Secure bracket to truss.

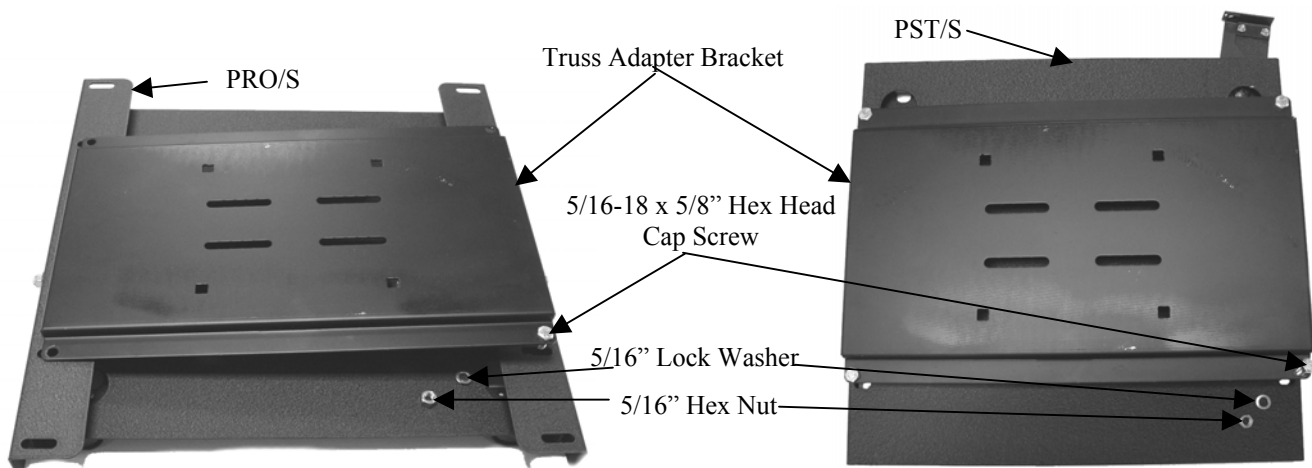


Figure 2