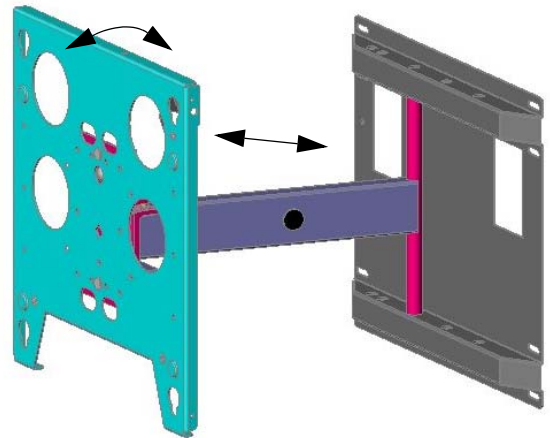

INSTALLATION INSTRUCTIONS

Pivot Wall Mounts with Pitch Adjustment (PWL and PWP Series)

The PWL and PWP wall mounts differ from each other only in the length of their swing arm. The PWL extends 16.9" from the wall when completely extended for swing out of Large Flat Panel Display units. The PWP extends 5.9" from the wall when completely extended.

Both the PWL and the PWP feature pitch adjustment, portrait/landscape viewing, and incorporates Chief's exclusive Q-latch™ mounting system.

Two electrical box openings in the wall plate are provided for cabling.



BEFORE YOU BEGIN

- **Caution:** To prevent damage to the PWL and the PWP, which could affect or void the Factory warranty, and to the equipment that will be attached to it, thoroughly study all instructions and illustrations before you begin the installation. Pay particular attention to the “Important Warnings and Precautions” on Page 1.
- The maximum weight to be installed on the PWL or PWP wall mount is 150 pounds (68.04 Kg).
- The PWL and PWP wall mounts are designed to be installed using wall studs or supporting framework. The wall to which the PWL or the PWP wall mount is anchored must be capable of supporting *four times* the total weight of the mount and all attached equipment.
- If you have any questions about this installation, contact Chief Manufacturing at 1-800-582-6480.



IMPORTANT WARNINGS AND PRECAUTIONS!

- WARNING:** A **WARNING** alerts you to the possibility of serious injury or death if you do not follow the instructions.
- CAUTION:** A **CAUTION** alerts you to the possibility of damage or destruction of equipment if you do not follow the corresponding instructions.
- **WARNING: Improper installation can result in serious personal injury! Make sure that the structural members can support a redundant weight factor *four times* the total weight of the equipment: if not, reinforce the structure before installing the PWL or the PWP.**
 - **WARNING: Be aware also of the potential for personal injury or damage to the unit if it is not adequately mounted.**
 - **WARNING: The installer is responsible for verifying that the wall, to which the PWL or the PWP is anchored, will safely support the combined load of all attached components or other equipment.**
 - **WARNING: The weight of the display placed on the PWL or the PWP must not exceed 150 lbs. (68.04 kg), the maximum load capacity of the PWL and the PWP.**
 - **WARNING: Watch for pinch points. Do not put your fingers between movable parts.**
 - **CAUTION:** Check the unit for shipping damage before you begin the installation.

NOTE: Hardware for attaching this unit to the wall is not supplied.

TOOLS REQUIRED FOR INSTALLATION

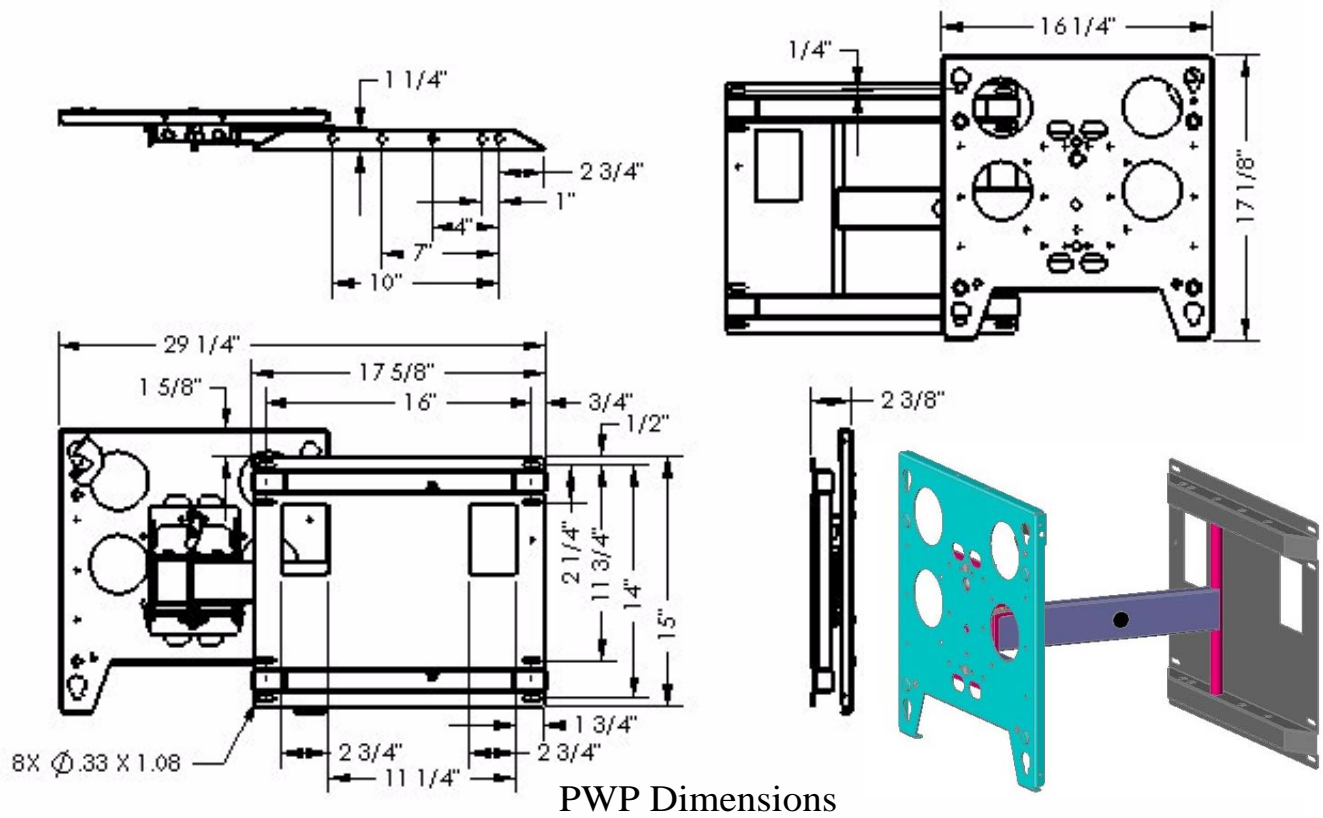
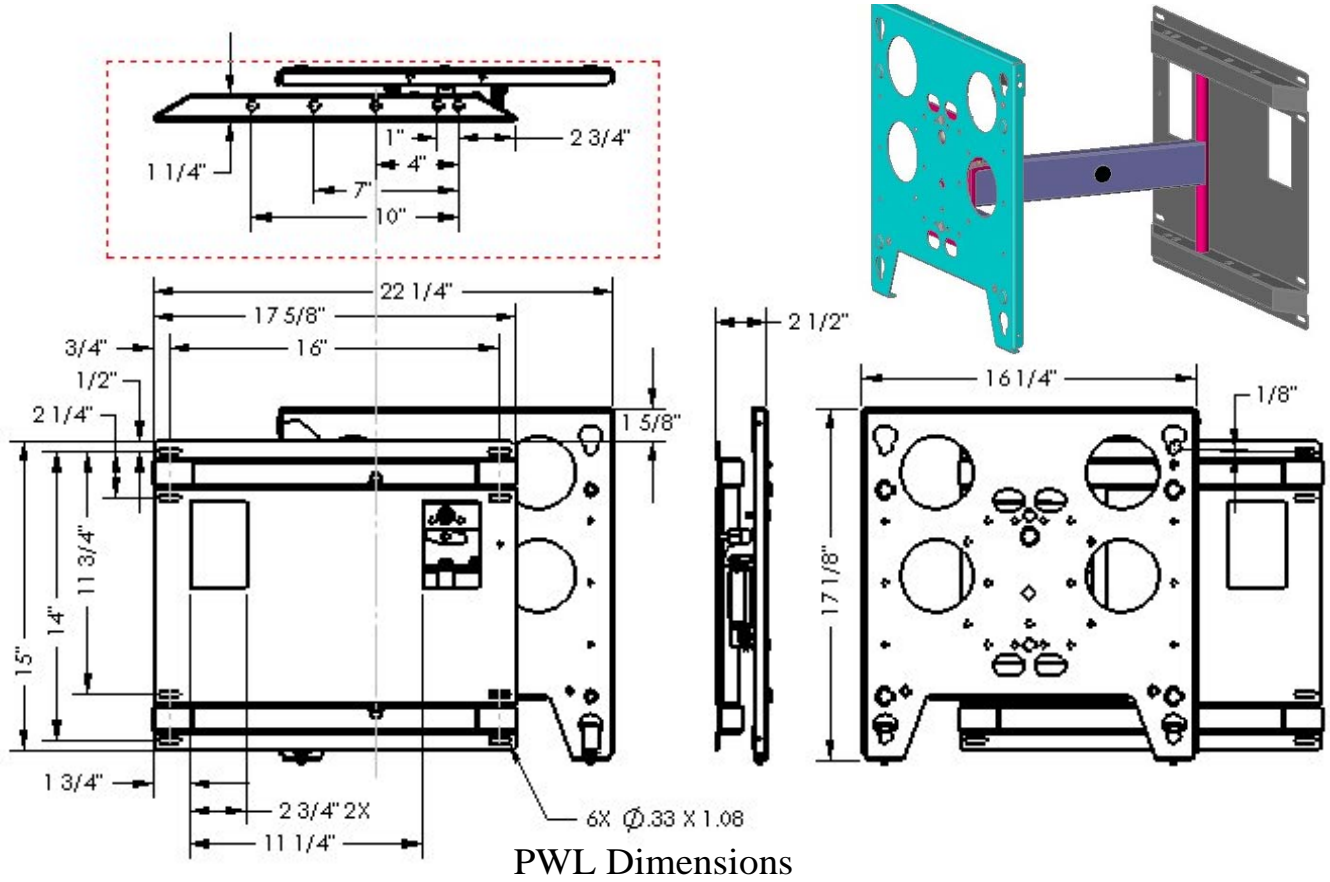
- Electric drill and bit set
- Socket set with extension and open wrenches

NOTE: Other tools may be required depending on the method of installing the mount on the wall.

CONTENTS

DIMENSIONAL DRAWING	2
INSPECT THE UNIT BEFORE INSTALLING	3
PWL/PWP INSTALLATION	3
MOUNT THE DISPLAY	4
ADJUSTMENTS	4
Rotational Adjustment	4
Pitch Adjustment	4
Horizontal Adjustment	4
REMOVE THE DISPLAY	4

DIMENSIONAL DRAWING



INSPECT THE UNIT BEFORE INSTALLING

WARNING: Watch for pinch points. Do not put your fingers between movable parts.

1. Carefully inspect the PWL/PWP for shipping damage. If any damage is apparent, call your carrier claims agent and do not continue with the installation until the carrier has reviewed the damage.

NOTE: Read all instructions before starting installation.

2. Lay out components to ensure you have all the required parts before proceeding:
 - 1 PWL/PWP (see dimensional drawing on page 2)
 - 1 PSB Package

PWL/PWP INSTALLATION

WARNING: It is the responsibility of the installer to verify that the wall to which the PWL/PWP is anchored will safely support the combined load of all attached components and equipment.

CAUTION: DO NOT attempt to mount the Flat Panel Display in an inverted position. Mounting the Flat Panel Display in an inverted position may cause overheating and extensive damage to the Flat Panel Display.

Install the PWL/PWP as follows:

1. Determine the exact mounting location prior to installation, considering the unit's total swing arm radius.
2. Using the wall plate as a pattern, transfer the mounting hole pattern to the wall.

NOTE: Notice the wall plate has a nominal hole (2"X4") to accommodate a duplex wall outlet.

3. Drill pilot holes at the desired height.

WARNING: Improper installation can result in serious personal injury! Make sure that the structural members can support a redundant weight factor *five times* the total weight of the equipment: if not, reinforce the structure before installing the PWP/PWL.

4. With the PWL/PWP correctly oriented and level, secure the PWL/PWP to the wall using a minimum of four fasteners (not included). Fasteners must be driven into the supporting wall studs or other supporting framework.

MOUNT THE DISPLAY

1. Follow the instructions for installing the PSB of your specific flat panel display on your flat panel display.

WARNING: Watch for pinch points. Do not put your fingers between movable parts.

2. Before lifting your flat panel display, make sure the latch of the PWL/PWP is lowered and will not interfere with mounting the plasma (see Figure 1).
3. Using two people, align the Q-latch buttons with the Q-latch openings and install the display. Make sure the buttons of the Q-latch bracket fully engage all the Q-latch openings on the PWL/PWP (see Figure 2).
4. Secure the display to the PWL/PWP by completely engaging the latch (see Figure 3).
5. Connect and secure power/audio/video cables, making sure to leave sufficient slack to allow for movement of the swing arms.

ADJUSTMENTS

Rotational Adjustment

1. If necessary, loosen or tighten bottom rotational tilt tension adjustment nut (see Figure 4).
2. Mount the display and check for desired rotational tilt tension.
3. Repeat Steps 1 and 2 until desired rotational tilt tension is obtained.

Pitch Adjustment

1. Turn the T-knob handle until desired angle is achieved.
2. Make sure the carriage bolt is properly seated.

Horizontal Adjustment

1. Turn the display to desired horizontal position.
2. Pull display from wall or push display back to wall.

REMOVE THE DISPLAY

1. Disconnect power/audio/video cables.
2. Disengage (lower) the latch.
3. Using two people, lift the display from the PWS.

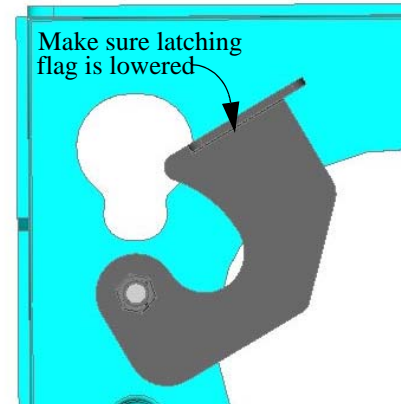


FIGURE 1. LOWER LATCH

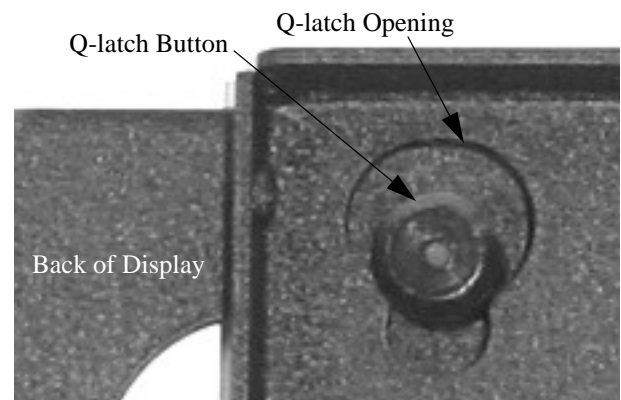


FIGURE 2. ENGAGE Q-LATCH

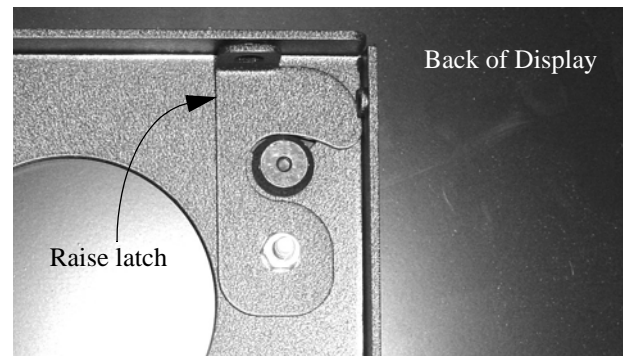


FIGURE 3. RAISE LATCH

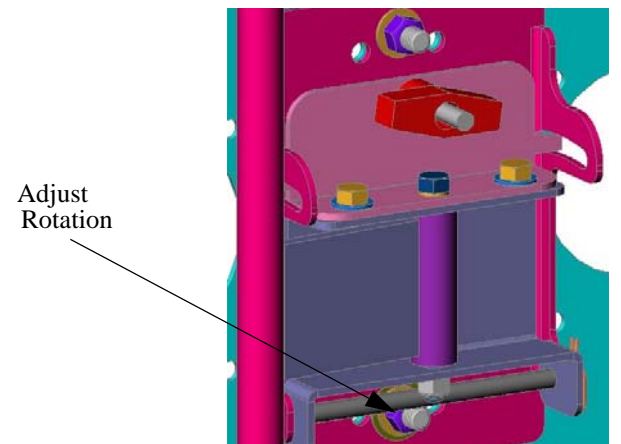


FIGURE 4. ROTATIONAL ADJUSTMENT