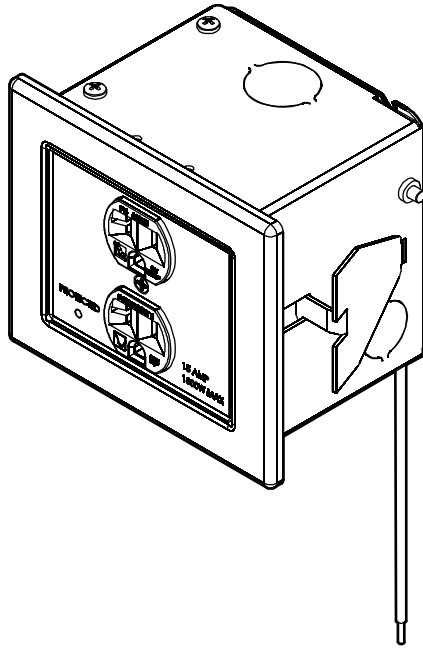


---

# INSTALLATION INSTRUCTIONS

---



---

## Outlet Power Conditioner

---

## DISCLAIMER

Milestone AV Technologies, and its affiliated corporations and subsidiaries (collectively, "Milestone"), intend to make this manual accurate and complete. However, Milestone makes no claim that the information contained herein covers all details, conditions or variations, nor does it provide for every possible contingency in connection with the installation or use of this product. The information contained in this document is subject to change without notice or obligation of any kind. Milestone makes no representation of warranty, expressed or implied, regarding the information contained herein. Milestone assumes no responsibility for accuracy, completeness or sufficiency of the information contained in this document.

Chief® is a registered trademark of Milestone AV Technologies. All rights reserved.



## IMPORTANT WARNINGS AND CAUTIONS!



**WARNING:** A WARNING alerts you to the possibility of serious injury or death if you do not follow the instructions.



**CAUTION:** A CAUTION alerts you to the possibility of damage or destruction of equipment if you do not follow the corresponding instructions.



**WARNING:** Failure to read, thoroughly understand, and follow all instructions can result in serious personal injury, damage to equipment, or voiding of factory warranty! It is the installer's responsibility to make sure all components are properly assembled and installed using the instructions provided.



**CAUTION:** This equipment must be installed and assembled by qualified service personnel in accordance with local building codes.



**WARNING:** Failure to provide adequate structural strength for this accessory can result in serious personal injury or damage to equipment! It is the installer's responsibility to make sure the structure to which this accessory is attached can support the weight of the box.

**IMPORTANT ! : SUITABLE FOR USE IN OTHER ENVIRONMENTAL AIR SPACE IN ACCORDANCE WITH SECTION 300.22, (C) OF THE NATIONAL ELECTRICAL CODE.**

**NOTE:** The equipment shall be installed and assembled by qualified service personnel.







**NOTE:** Knockouts are provided for ease of installation. Any unused knockouts that have been punched are to be closed up with a metal plug.

**NOTE:** Ambient Temperature - The manufacturer's maximum ambient temperature is 120°F (49°C) and minimum ambient temperature is 30°F (-1°C) so that the installer is able to determine acceptability of use of Accessories and components.

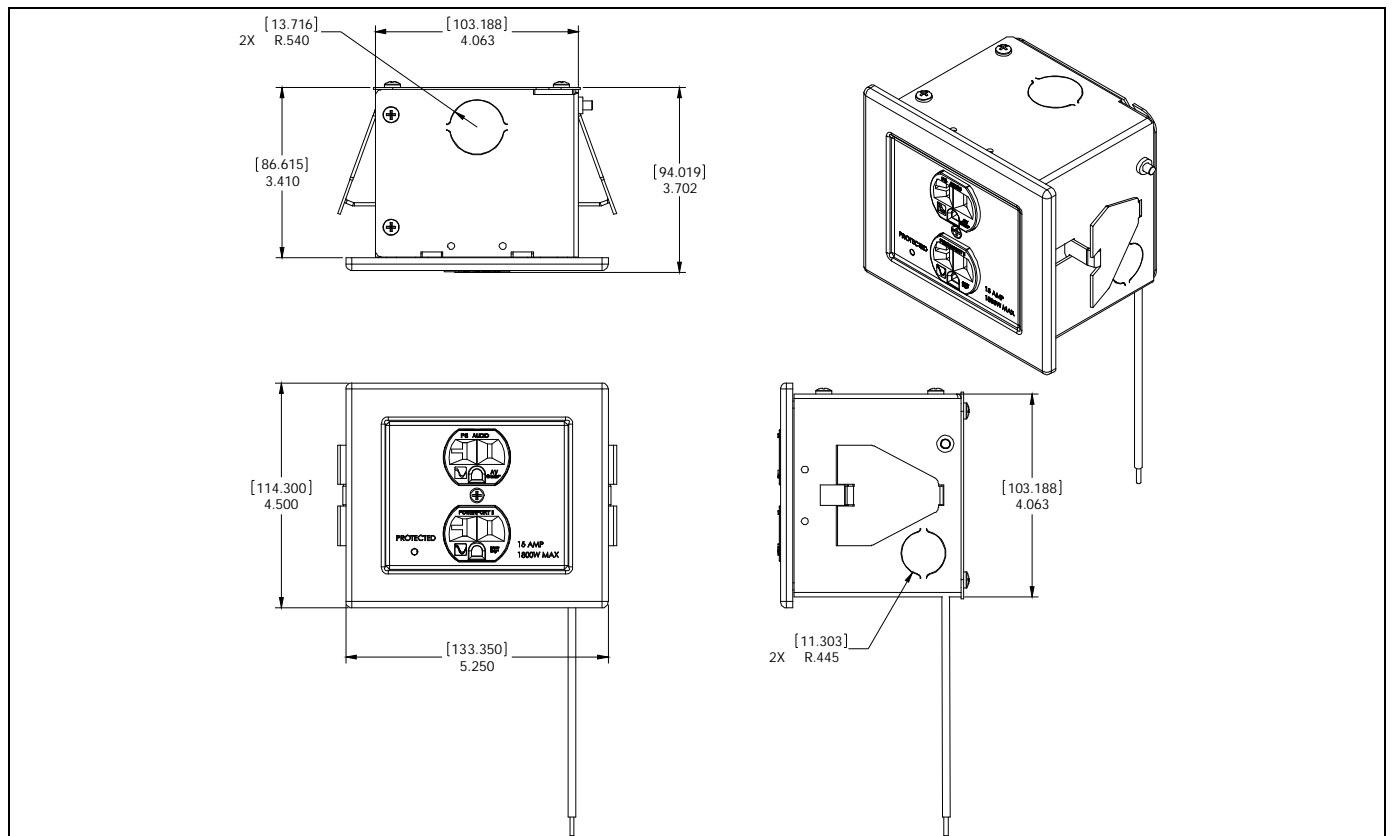
**NOTE:** Spacings - Minimum spacings between the Accessories and components and the housing for Information Technology Communication Equipment shall be maintained for safe operation of the equipment when installed in accordance with the National Electric Code, ANSI/NFPA 70-1999.

**NOTE:** This In-Wall Cabinet System is for use with ITE or Audio/Video equipment only.

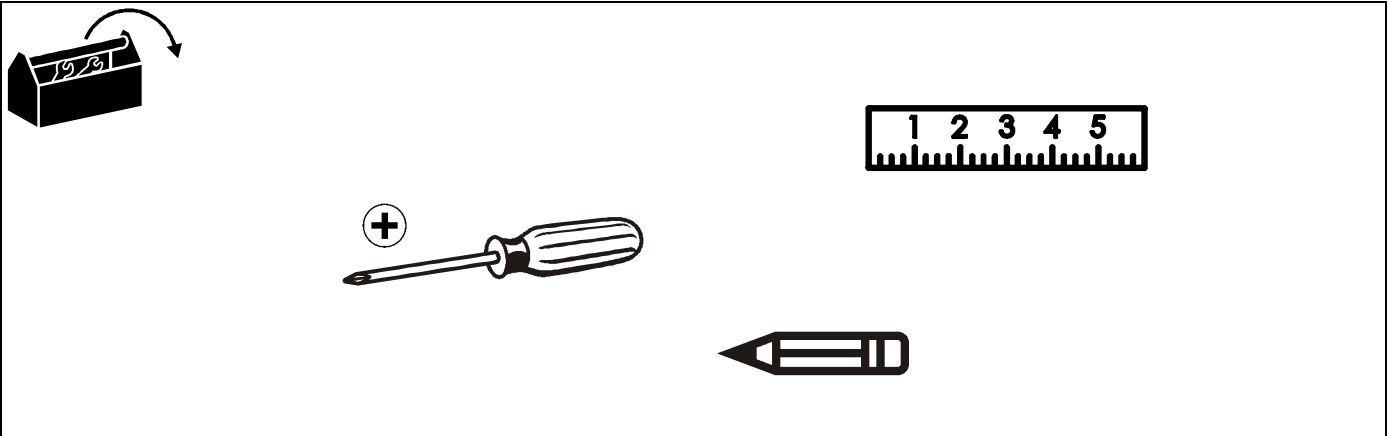
**LEGEND**

	<b>Tighten Fastener</b>		<b>Pencil Mark</b>
	Apretar elemento de fijación		Marcar con lápiz
	Befestigungsteil festziehen		Stiftmarkierung
	Apertar fixador		Marcar com lápis
	Serrare il fissaggio		Segno a matita
Bevestiging vastdraaien	Potloodmerkteken		<b>Drill Hole</b>
Serrez les fixations	Marquage au crayon		Perforar
	<b>Loosen Fastener</b>		Bohrloch
	Aflojar elemento de fijación		Fazer furo
	Befestigungsteil lösen		Praticare un foro
	Desapertar fixador	Gat boren	
	Allentare il fissaggio	Percez un trou	
Bevestiging losdraaien		<b>Adjust</b>	
Desserrez les fixations		Ajustar	
		<b>Phillips Screwdriver</b>	Einstellen
		Destornillador Phillips	Ajustar
		Kreuzschlitzschraubendreher	Regolare
	Chave de fendas Phillips	Afstellen	
	Cacciavite a stella	Ajuster	
Kruiskopschroevendraaier			
Tournevis à pointe cruciforme			

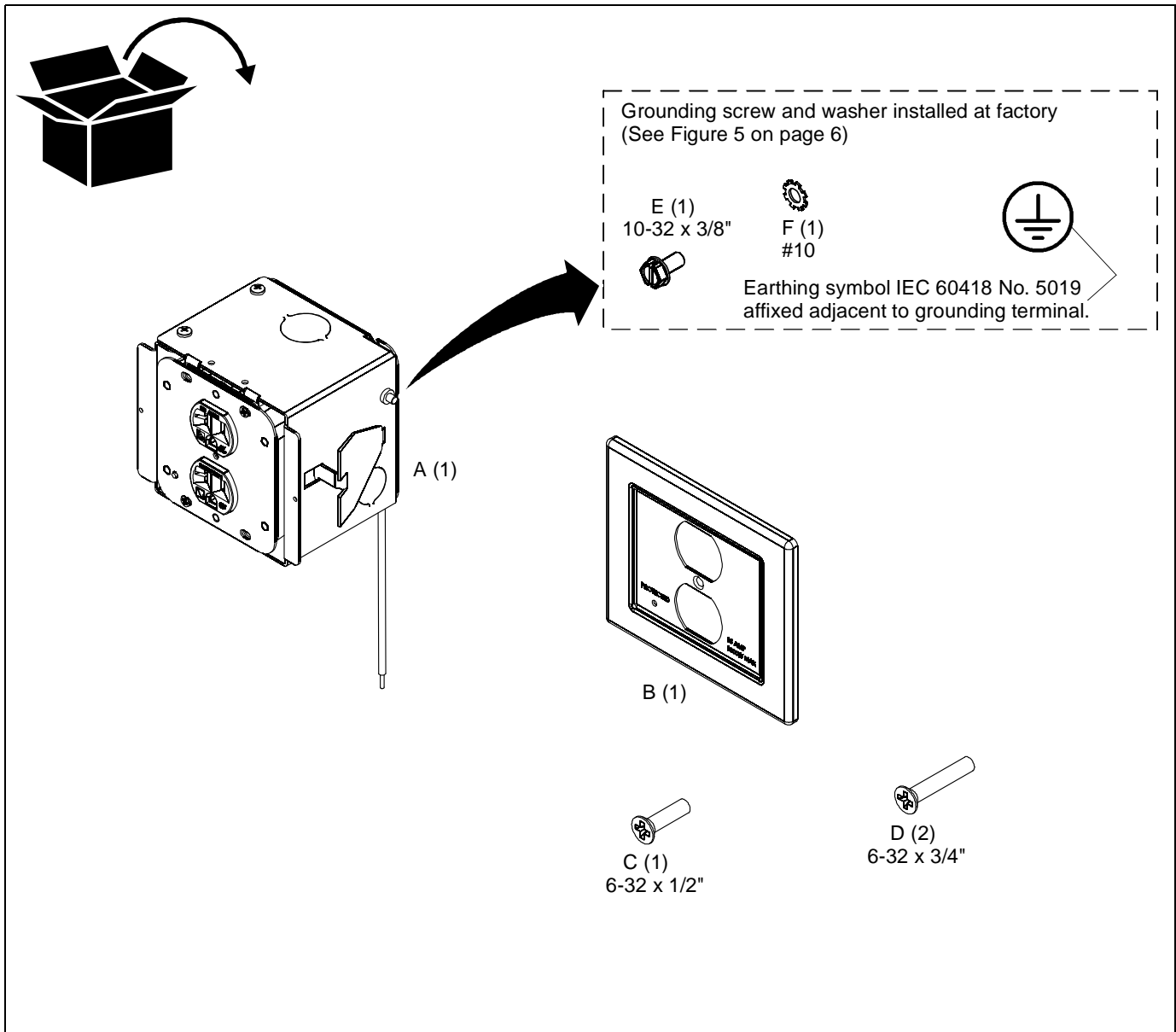
**DIMENSIONS**



### TOOLS REQUIRED FOR INSTALLATION



### PARTS



## INSTALLATION

The PX2W is intended for use in installations where an existing drywall finished wall or ceiling is present.

**NOTE:** The PX2W must be connected to a 15 Amp branch circuit.



**WARNING:** IMPROPER INSTALLATION CAN RESULT IN DEATH OR SERIOUS PERSONAL INJURY! This accessory should be installed by qualified personnel.

### PX2W Site Preparation

1. Identify a suitable wall or ceiling location for the accessory.



**WARNING:** ELECTRICAL SHOCK HAZARD! CUTTING OR DRILLING INTO ELECTRICAL WIRES OR CABLES CAN CAUSE DEATH OR SERIOUS PERSONAL INJURY! ALWAYS make certain area behind mounting surfaces is free of electrical wires and cables before cutting, drilling, or installing fasteners.



**WARNING:** EXPLOSION AND FIRE HAZARD! CUTTING OR DRILLING INTO GAS PLUMBING CAN CAUSE DEATH OR SERIOUS PERSONAL INJURY! ALWAYS make certain area behind mounting surfaces is free of gas, water, waste, or any other plumbing before cutting, drilling, or installing fasteners.

2. Using a stud sensor, locate and mark studs.

**NOTE:** PX2W is designed to fit in a drywall surface.

3. Using housing as a template, draw pencil line completely around housing.
4. Measure the marked area and compare to the dimensions shown in Figure 1. If measurements match continue to step 5. If not, adjust markings to match dimensions in Figure 1.
5. Cut drywall on *outside* edge of line and remove.

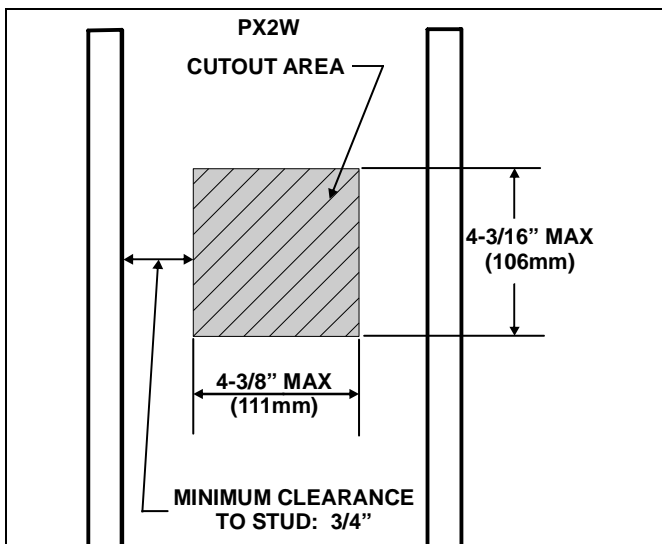


Figure 1

### Installing PX2W

1. Remove and save two Phillips head screws from PX2W. (See Figure 2)
2. Remove outlet from PX2W. (See Figure 2)

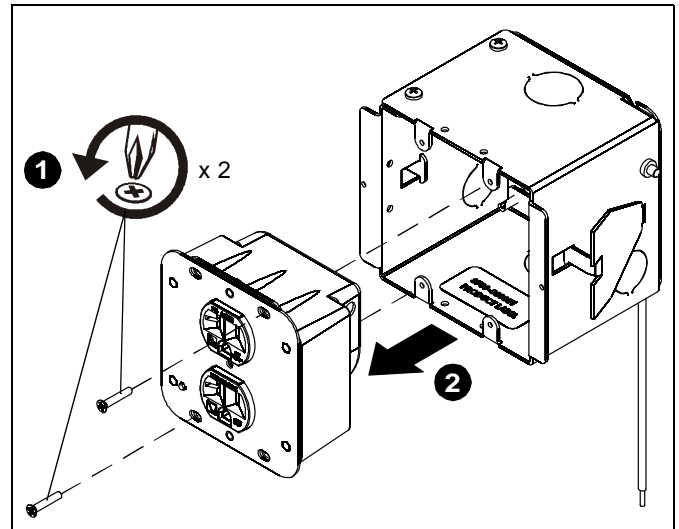


Figure 2

3. Insert PX2W into drywall opening. (See Figure 3)

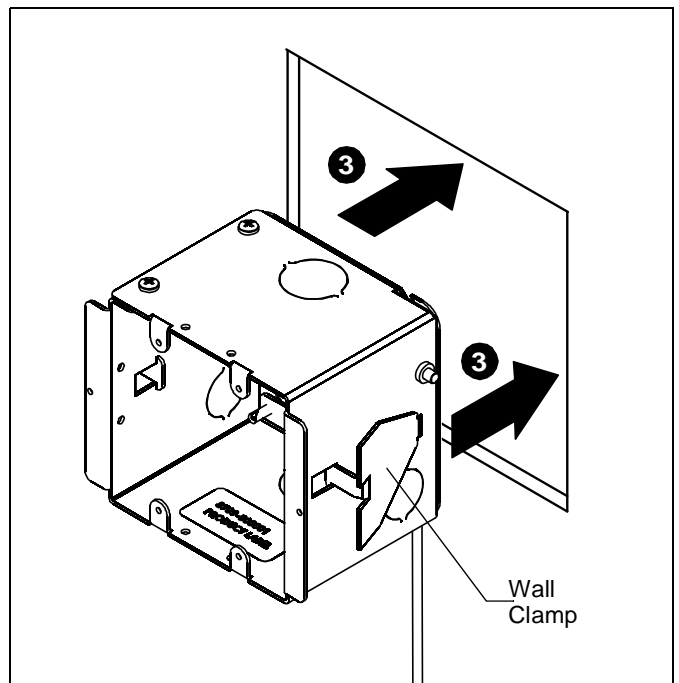


Figure 3

4. Tighten screws on the two drywall clamps so that they are locked in place in the drywall, and not laying flat against the PX2W. (See Figure 4)

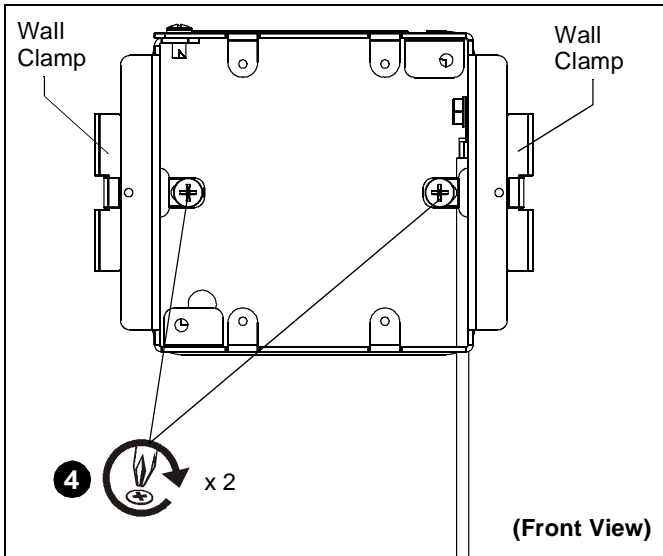


Figure 4

**Wiring**



**DANGER:** IMPROPER WIRING CAN LEAD TO DEATH OR SEVERE PERSONAL INJURY! Grounding must be installed by qualified personnel using a UL Recognized No. 12AWG Green grounding wire connected to grounding lug on box.

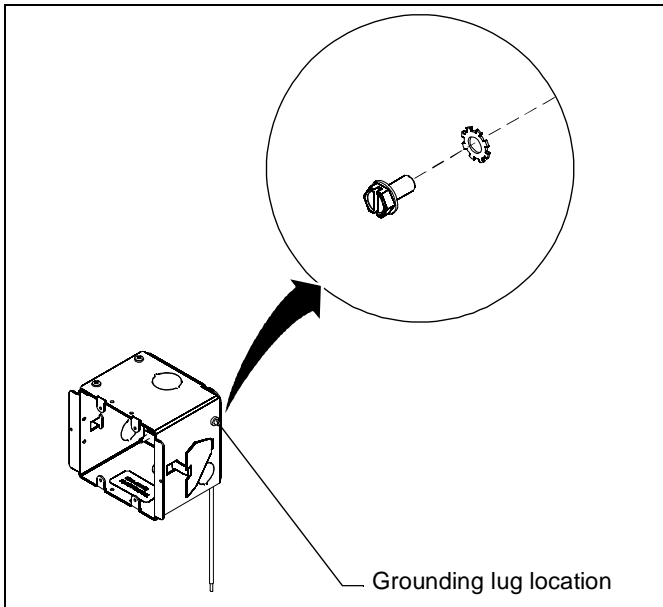


Figure 5

5. Wire the PX2W as required.
6. Replace the outlet in the PX2W. (See Figure 6)

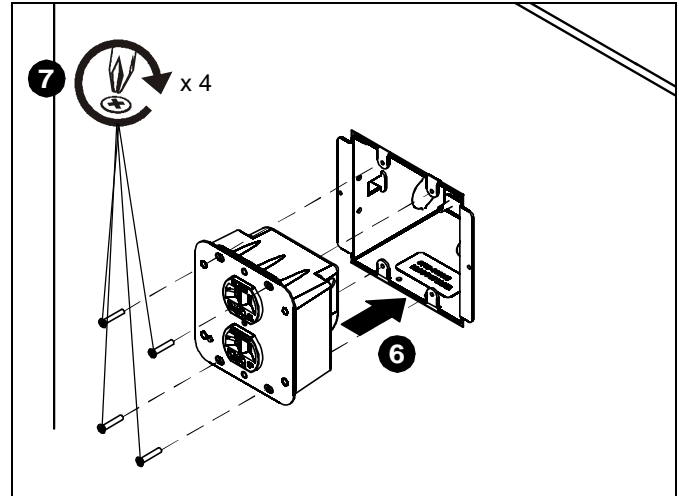


Figure 6

7. Replace and tighten the two Phillips screws removed in Step 1 and also install two Phillips 6-32 x 3/4" screws (D). (See Figure 6)
8. Install faceplate (B) onto PX2W using one 6-32 x 1/2" Phillips flat head screw (C). (See Figure 7)

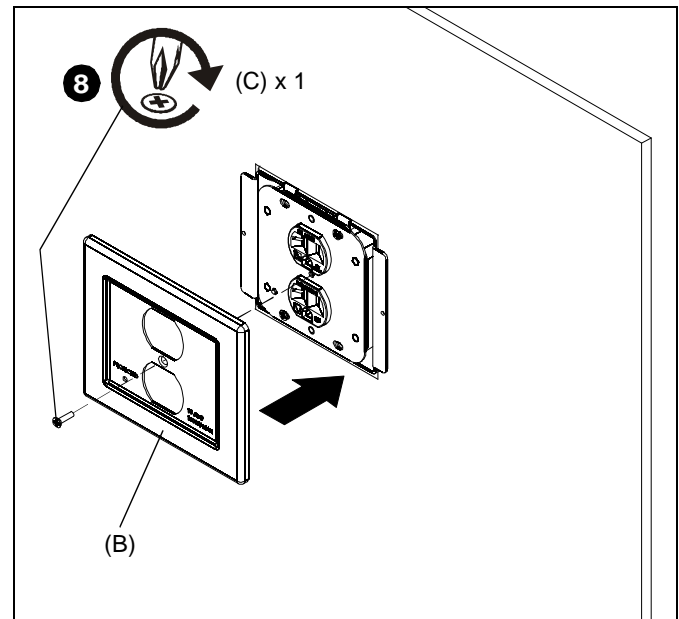


Figure 7





Our Mounts. **Your Vision.**

Chief Manufacturing, a products division  
of Milestone AV Technologies

8803-000124 Rev01

©2012 Milestone AV Technologies, a  
Duchossois Group Company

[www.chiefmfg.com](http://www.chiefmfg.com)

10/12

<b>USA/International</b>	<b>A</b> 6436 City West Parkway, Eden Prairie, MN 55344
	<b>P</b> 800.582.6480 / 952.225.6000
	<b>F</b> 877.894.6918 / 952.894.6918
<b>Europe</b>	<b>A</b> Franklinstraat 14, 6003 DK Weert, Netherlands
	<b>P</b> +31 (0) 495 580 852
	<b>F</b> +31 (0) 495 580 845
<b>Asia Pacific</b>	<b>A</b> Office No. 1 on 12/F, Shatin Galleria 18-24 Shan Mei Street Fotan, Shatin, Hong Kong
	<b>P</b> 852 2145 4099
	<b>F</b> 852 2145 4477

