

# INSTALLATION INSTRUCTIONS

## Pitch Tension Kit

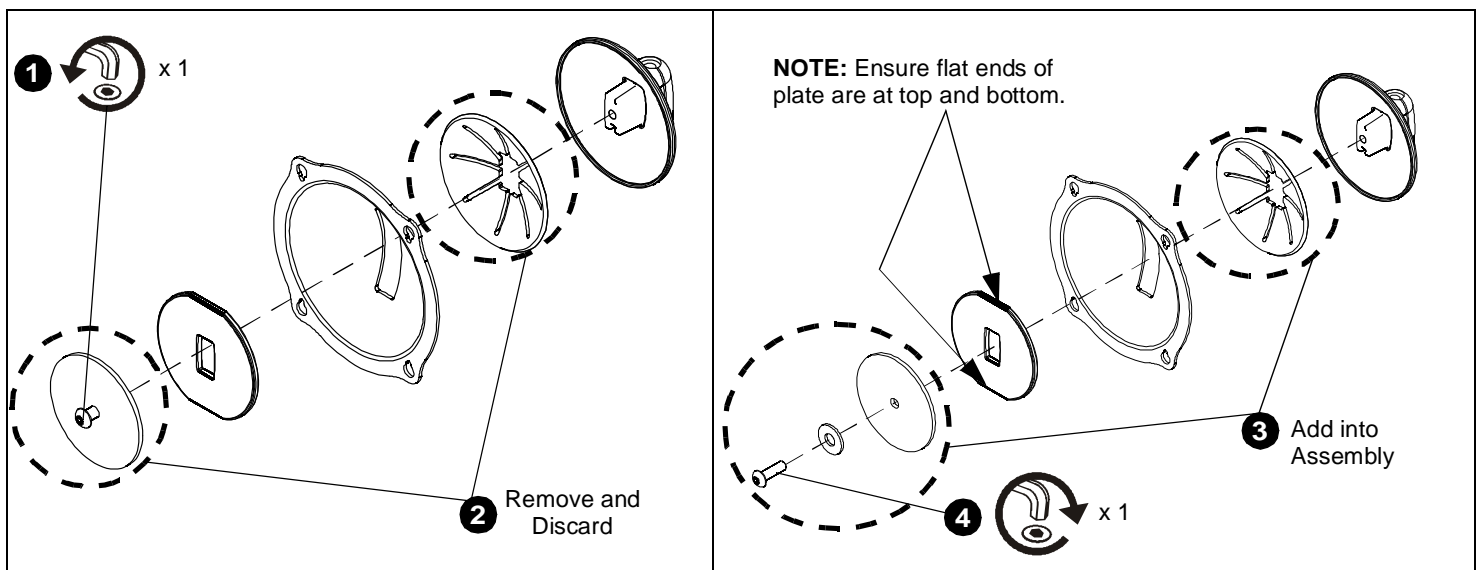
Unpack carton and verify kit contents. If any listed parts are missing, immediately contact a Chief Customer Service representative by calling 1-800-582-6480.



**WARNING: IMPROPER INSTALLATION CAN LEAD TO EQUIPMENT FALLING CAUSING SERIOUS PERSONAL INJURY AND DAMAGE TO EQUIPMENT! DO NOT substitute hardware. Use only hardware supplied by manufacturer!**

- |                        |                                       |
|------------------------|---------------------------------------|
| (1) Star Washer        | (1) 5/16-18 x 1" Buttonhead Cap Screw |
| (1) Flat Plate         | (1) 3/16" Hex Head Wrench             |
| (1) 5/16" Steel Washer |                                       |

### Installation



**Figure 1:**

1. Loosen one buttonhead cap screw using 3/16" hex head wrench provided in kit. (See Figure 1)

**NOTE:** Screw may remain in flat plate.

2. Discard flat plate with screw, and star washer.
3. Insert new star washer, steel washer, flat plate and 5/16-18 x 1" buttonhead cap screw from kit. (See Figure 1)

**NOTE:** Ensure that flat plate with rectangular opening is carefully set in place. The flat edges **MUST** be at the top and bottom with an equal amount showing at the top and bottom behind the flat plate.

4. Tighten using 3/16" hex head wrench provided in kit.

Milestone AV Technologies, Inc., and its affiliated corporations and subsidiaries (collectively, "Milestone"), intend to make this manual accurate and complete. However, Milestone makes no claim that the information contained herein covers all details, conditions or variations, nor does it provide for every possible contingency in connection with the installation or use of this product. The information contained in this document is subject to change without notice or obligation of any kind. Milestone makes no representation of warranty, expressed or implied, regarding the information contained herein. Milestone assumes no responsibility for accuracy, completeness or sufficiency of the information contained in this document.

