
INSTALLATION INSTRUCTIONS

QUICK RELEASE CEILING MOUNT

QD-1[®]



Figure 1

(1) QD-1 Assembly
(1) Safety Pin Assembly

(1) 5/16"-18 Set Screw
(1) 5/32" Allen Key

BEFORE PROCEEDING: Unpack the carton, verify contents shown in Figure 1 and read installation instructions completely. If you are missing any of the listed components, please contact Customer Service at 1-800/582-6480.

1. Orient the 1 1/2" NPT pipe couple plate, with four 5/16" by 7/8" studs, with studs facing down (see Figure 2).
2. Remove the 1/4" diameter by 2 1/4" long safety pin.
3. Loosen, do not remove, four 5/16" nuts enough to allow clearance of plates.
4. Turn bottom 1 1/2" pipe nipple plate clockwise until flared nuts align with 5/16" diameter holes and separate from the top half.

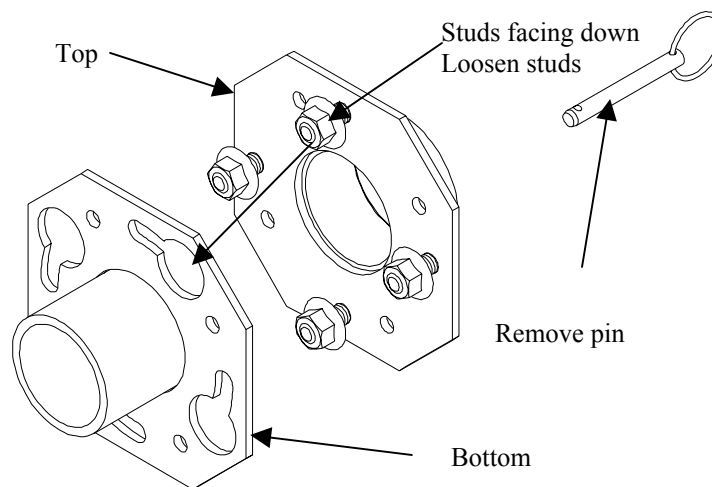


Figure 2



CHIEF MANUFACTURING INC.
1-800-582-6480 952-894-6280 FAX 952-894-6918
12800 HIGHWAY 13 SOUTH, SUITE 500
SAVAGE, MINNESOTA 55378 USA

8810-00008
2003 Chief Manufacturing
www.chiefmfg.com
01/04

ALL COMPONENTS MUST BE SECURELY FASTENED TO A STRUCTURAL MEMBER CAPABLE OF SUPPORTING 4 TIMES THE COMBINED WEIGHT OF ALL COMPONENTS PLUS THE EQUIPMENT BEING MOUNTED. IF IT CANNOT SUPPORT THIS WEIGHT, THE STRUCTURE MUST BE REINFORCED. THE MAXIMUM WEIGHT TO BE INSTALLED ON THE QD-1 IS 250 POUNDS (113.4 KG).

WARNING!

5. Wrap safety chain, with safety pin, around the 1 1/2" extension column or schedule 40 pipe.
6. Thread top half, (QD-1) 1 1/2" pipe coupler quick release ceiling mount securely onto overhead extension column or schedule 40 pipe with threaded end (see WARNING).
7. Install and tighten 15/16" set screw, securing top half 1 1/2" pipe coupler.
8. Attach the bottom half 1 1/2" pipe nipple plate with holes to the equipment you intend to support.
9. Install bottom 1 1/2" pipe nipple plate (removed during Step 4), with equipment attached, to top half 1 1/2" pipe coupler by aligning flared nuts with 5/16" diameter holes and rotating counterclockwise until seated.
10. Insert the 1/4" diameter by 2 1/4" long safety pin in one of the 1/4" holes (see Figure 3).

CAUTION! The safety pin prevents a loose mount from being inadvertently turned. Pin **MUST** remain installed.

11. Tighten four 5/16" nuts and check 15/16" set screw securing top half 1 1/2" pipe coupler.

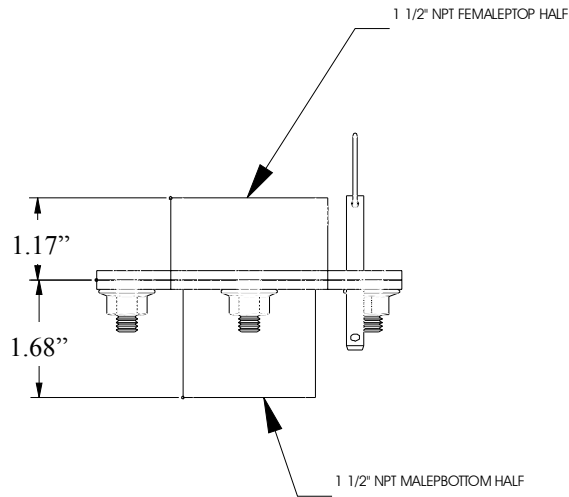


Figure 3

