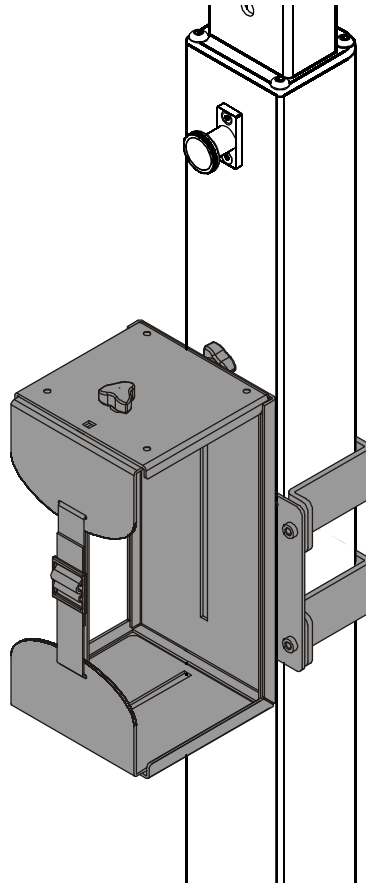

INSTALLATION INSTRUCTIONS



Universal CPU Holder Carts and Stands

DISCLAIMER

Milestone AV Technologies and its affiliated corporations and subsidiaries (collectively "Milestone"), intend to make this manual accurate and complete. However, Milestone makes no claim that the information contained herein covers all details, conditions or variations, nor does it provide for every possible contingency in connection with the installation or use of this product. The information contained in this document is subject to change without notice or obligation of any kind. Milestone makes no representation of warranty, expressed or implied, regarding the information contained herein. Milestone assumes no responsibility for accuracy, completeness or sufficiency of the information contained in this document.

Chief® and Centris® are registered trademarks of Milestone AV Technologies. All rights reserved.

DEFINITIONS

MOUNTING SYSTEM: A MOUNTING SYSTEM is the primary Chief product to which an accessory and/or component is attached.

ACCESSORY: AN ACCESSORY is the secondary Chief product which is attached to a primary Chief product, and may have a component attached or setting on it.

COMPONENT: A COMPONENT is an audiovisual item designed to be attached or resting on an accessory or mounting system such as a video camera, CPU, screen, display, projector, etc.



WARNING: A WARNING alerts you to the possibility of serious injury or death if you do not follow the instructions.



CAUTION: A CAUTION alerts you to the possibility of damage or destruction of equipment if you do not follow the corresponding instructions.



IMPORTANT SAFETY INSTRUCTIONS



WARNING: Failure to read, thoroughly understand, and follow all instructions can result in serious personal injury, damage to equipment, or voiding of factory warranty! It is the installer's responsibility to make sure all accessories are properly assembled and installed using the instructions provided.



WARNING: Failure to provide adequate structural strength for this accessory can result in serious personal injury or damage to equipment! It is the installer's responsibility to make sure the structure to which this accessory is attached can support five times the combined weight of all equipment. Reinforce the structure as required before installing the accessory.



WARNING: Exceeding the weight capacity can result in serious personal injury or damage to equipment! It is the installer's responsibility to make sure the combined weight of all components attached to accessory does not exceed 40 lbs (18.1 kg).



WARNING: Use this accessory only for its intended use as described in these instructions. Do not use attachments not recommended by the manufacturer.



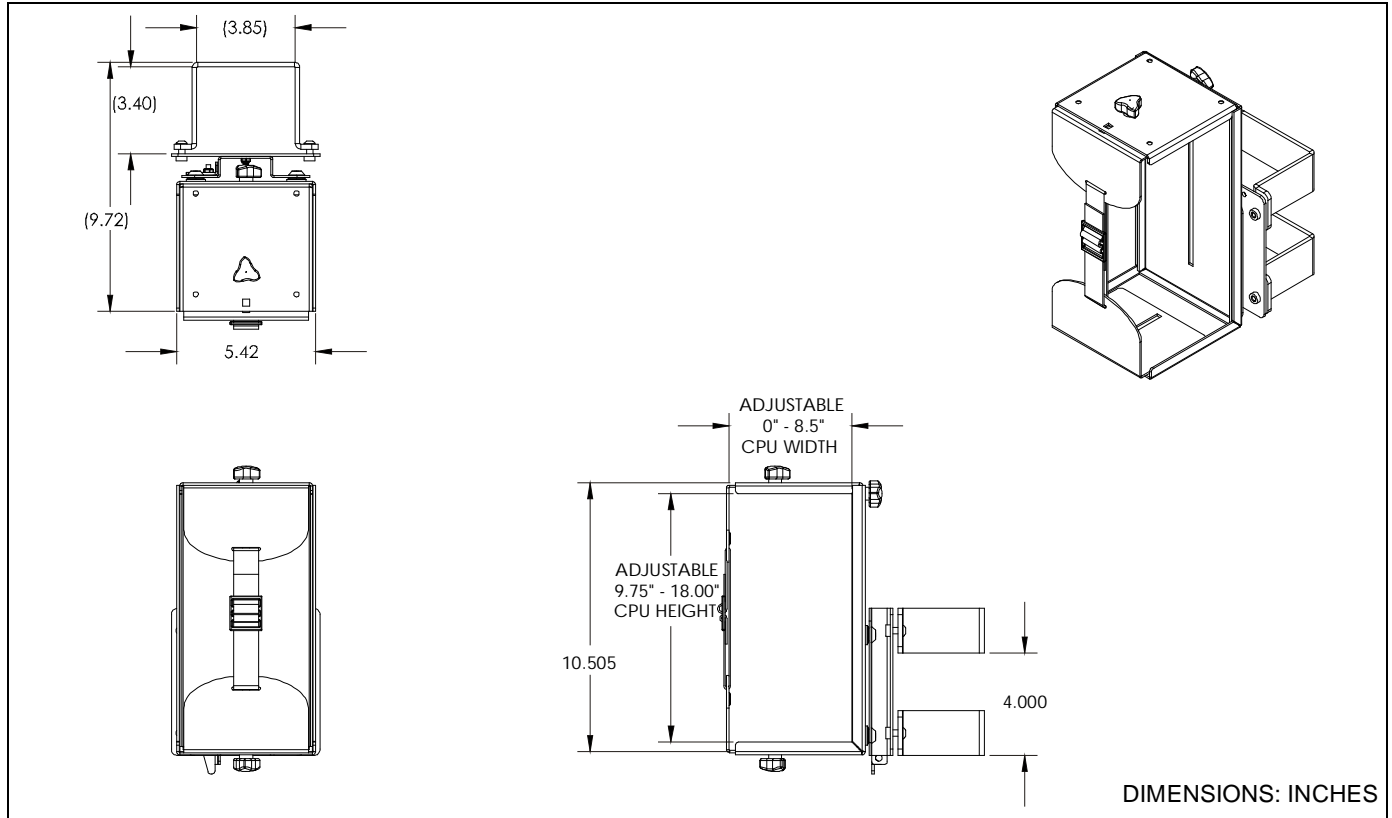
WARNING: Never operate this accessory if it is damaged. Return the accessory to a service center for examination and repair.



WARNING: Do not use this accessory outdoors.

--SAVE THESE INSTRUCTIONS--

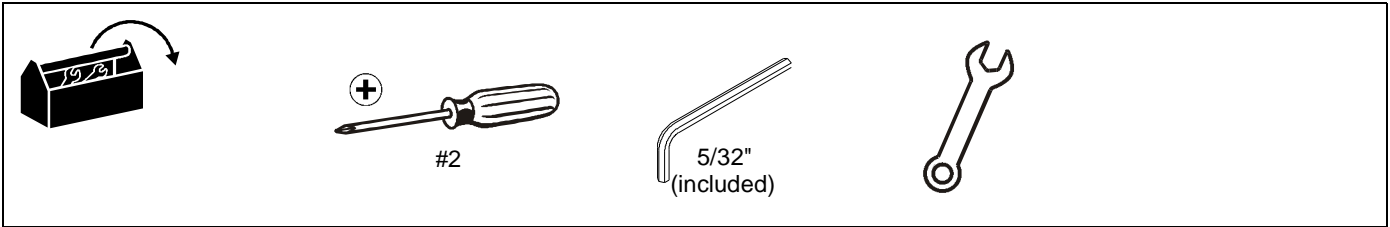
DIMENSIONS



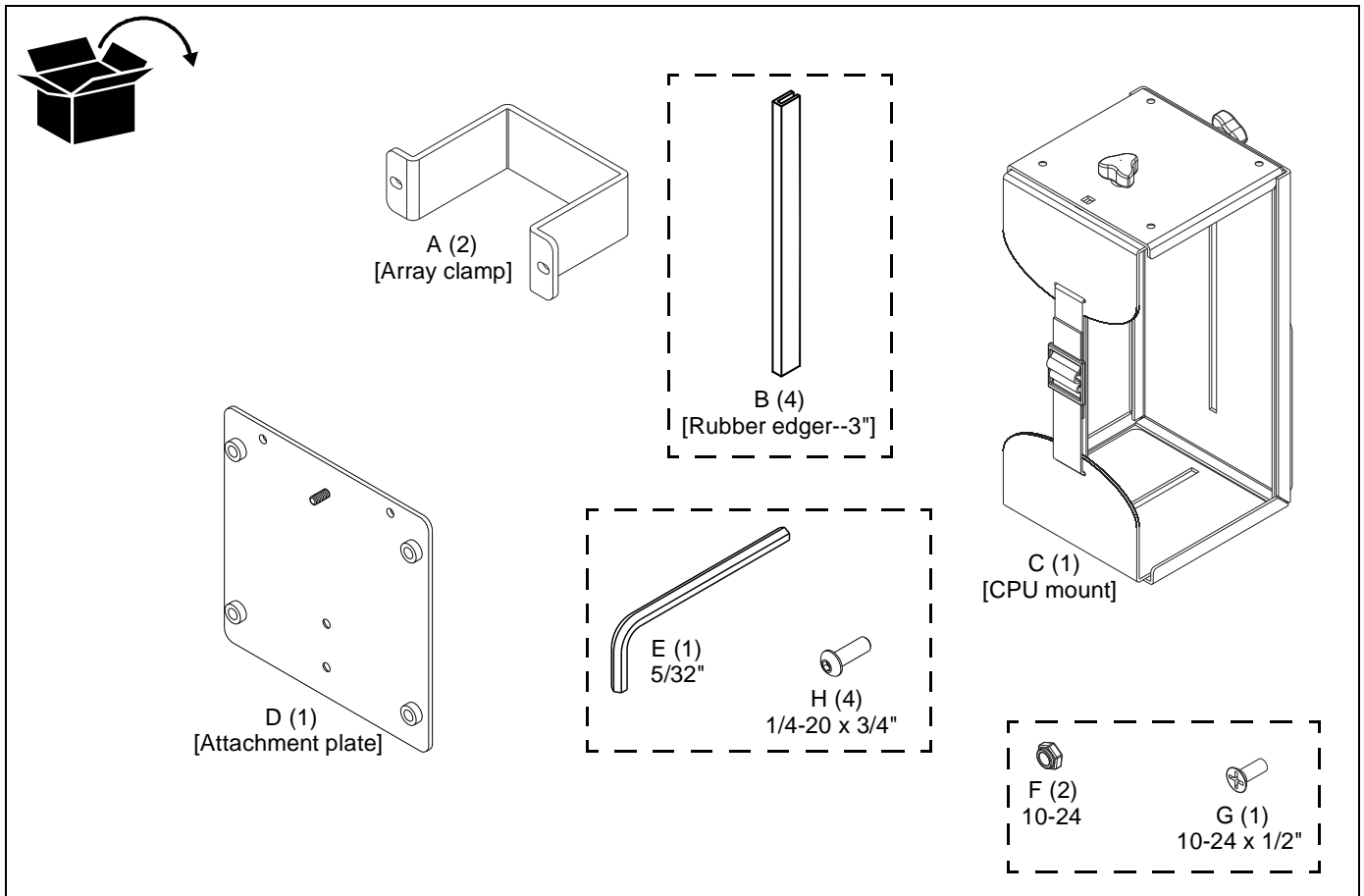
LEGEND

	Tighten Fastener		Phillips Screwdriver
	Apretar elemento de fijación		Destornillador Phillips
	Befestigungsteil festziehen		Kreuzschlitzschraubendreher
	Apertar fixador		Chave de fendas Phillips
	Serrare il fissaggio		Cacciavite a stella
	Bevestiging vastdraaien		Kruiskopschroevendraaier
Serrez les fixations	Tournevis à pointe cruciforme		
	Loosen Fastener		Hex-Head Wrench
	Aflojar elemento de fijación		Llave de cabeza hexagonal
	Befestigungsteil lösen		Sechskantschlüssel
	Desapertar fixador		Chave de cabeça sextavada
	Allentare il fissaggio		Chiave esagonale
	Bevestiging losdraaien		Zeskantsleutel
Desserrez les fixations	Clé à tête hexagonale		
	Open-Ended Wrench		By Hand
	Llave de boca		A mano
	Gabelschlüssel		Von Hand
	Chave de bocas		Com a mão
	Chiave a punte aperte		A mano
	Steeksleutel		Met de hand
Clé à fourche	À la main		

TOOLS REQUIRED FOR INSTALLATION



PARTS



ASSEMBLY

The QMP1C is designed to be attached to the Chief QMP1FB fixed music stand or the QMB1MB mobile music cart.

1. Attach column to cart/stand base (not included) following instructions included with cart/stand.
2. Place four strips of protective rubber edging (B) over the sharp edges located on the top and bottom of the CPU mount (C). (See Figure 1)

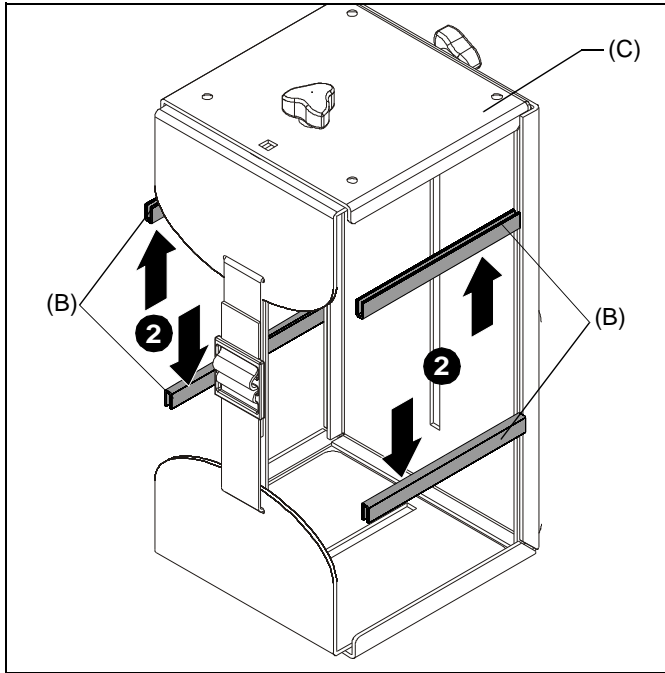


Figure 1

3. Release bracket from CPU mount (C) by moving the flag to the open position. (See Figure 2)
4. Remove bracket from mounting buttons on back of CPU mount (C). (See Figure 2)

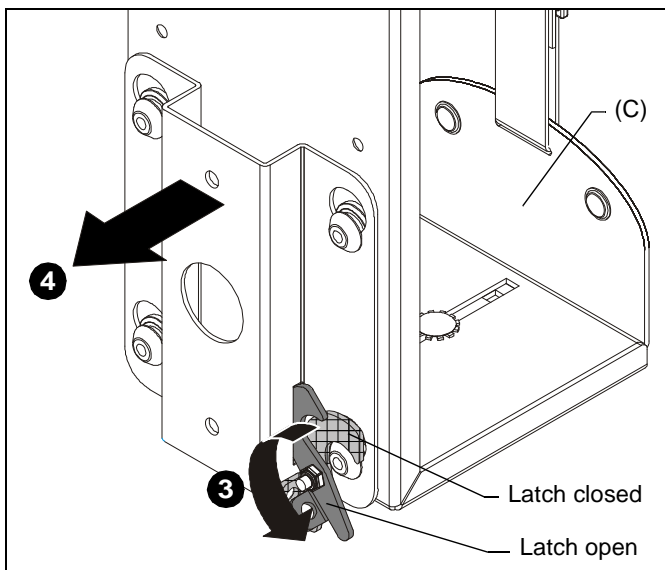


Figure 2

5. Fasten attachment plate (D) to bracket using one 10-24 x 1/2" Phillips undercut machine screw (G) and two 10-24 nylon lock nuts (F). (See Figure 3)

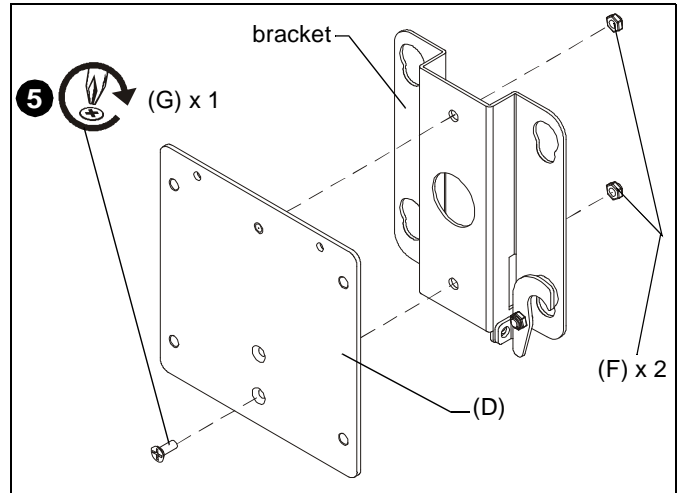


Figure 3

6. Fasten attachment plate with bracket around cart or stand column using two array clamps (A) and four 1/4-20 x 3/4" button head cap screws (H). (See Figure 4)

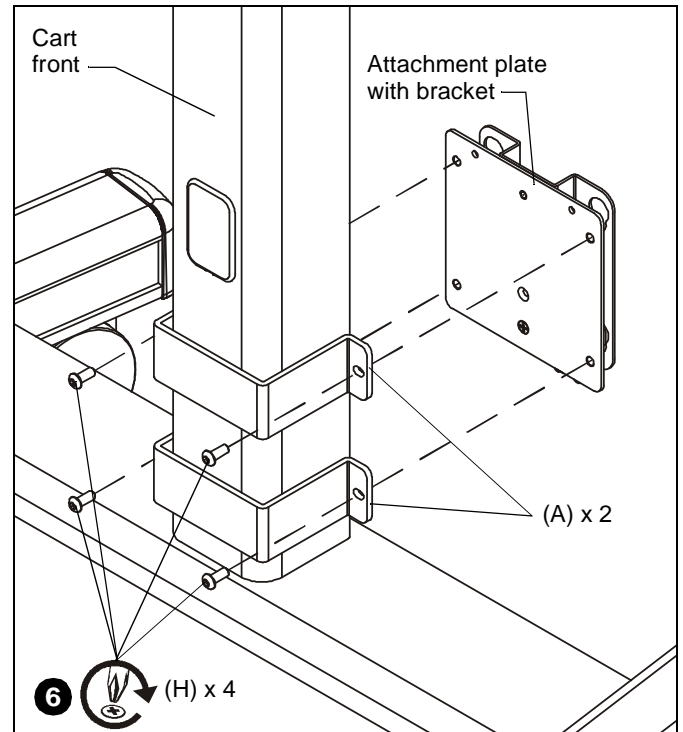


Figure 4

Adding CPU

1. Loosen adjustment knob at the back of the CPU mount (C).
2. Adjust height of mount to a height greater than the height of the CPU to be installed. Loosen strap at the front of the CPU mount if necessary. (See Figure 5)

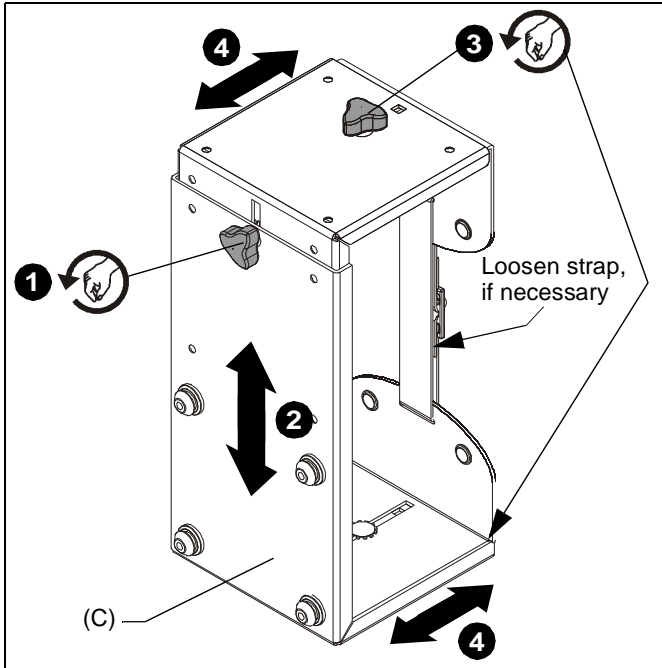


Figure 5

3. Loosen adjustment knobs on top and bottom of the CPU mount. (See Figure 6)
4. Slide flanges to allow insertion of the CPU. (See Figure 5)

NOTE: Top and bottom knobs may be removed and inserted into the front square holes to allow for large CPU installation. (See Figure 5)

NOTE: Flanges may be reversed to allow for installation of narrow CPU's. If reversing flanges, also remove and reinstall strap so that buckle is facing out for easy adjustment.

5. Set CPU within CPU mount (C). (See Figure 6)
6. Slide flanges to compress CPU mount (C) around CPU until CPU is tightly secured within mount. (See Figure 6)
7. Use adjustment knobs to tighten CPU mount flanges into place.
8. Tighten strap as required.

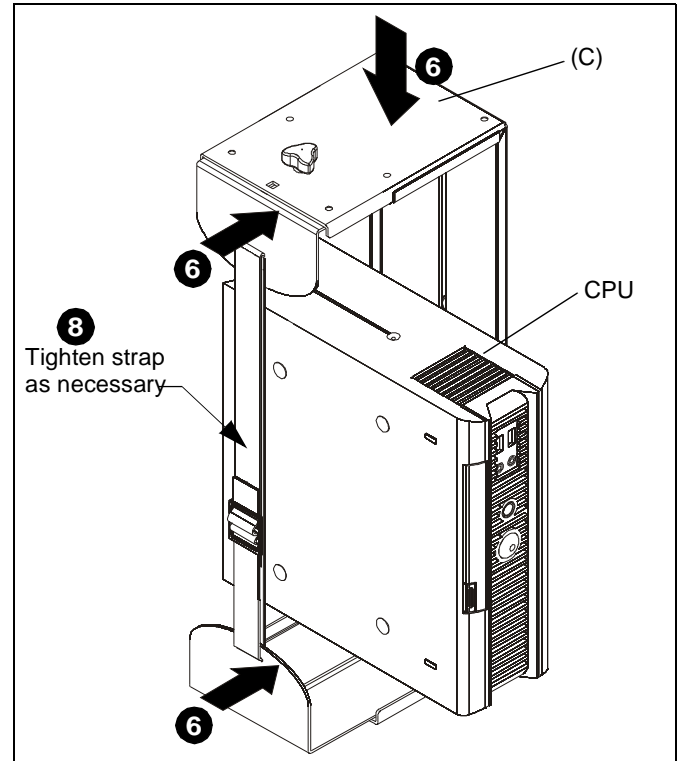


Figure 6

Completing Installation

1. Ensure flag on attachment plate with bracket is in the open position. (See Figure 7)
2. Attach CPU mount (C) to cart/stand by inserting four mounting buttons on the CPU mount into the four large mounting holes on the bracket. (See Figure 7)
3. Lower CPU mount (C) mounting buttons into the bottom of the teardrop mounting holes.
4. Move flag to closed position to secure mount to bracket and cart/stand. (See Figure 7)

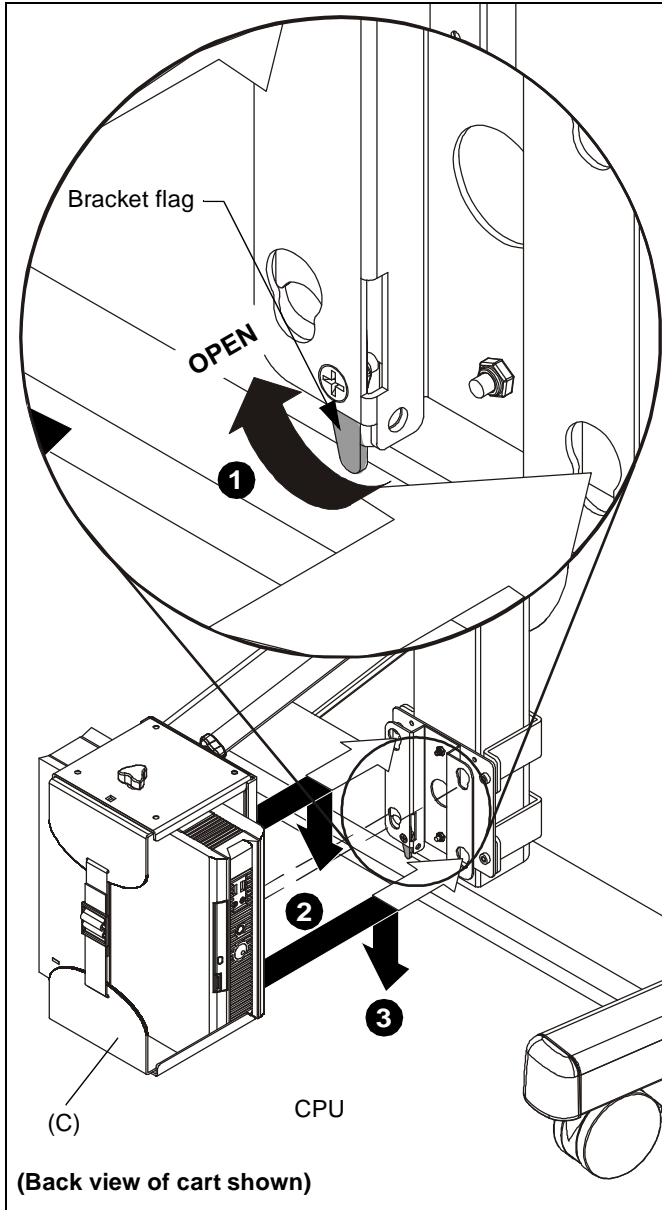


Figure 7



Our Mounts. **Your Vision.**

Chief, a products division of
Milestone AV Technologies

8800-002932 Rev01
©2017 Milestone AV Technologies
www.milestone.com
11/17

USA/International	A 6436 City West Parkway, Eden Prairie, MN 55344 P 800.582.6480 / 952.225.6000 F 877.894.6918 / 952.894.6918
Europe	A Franklinstraat 14, 6003 DK Weert, Netherlands P +31 (0) 495 580 852 F +31 (0) 495 580 845
Asia Pacific	A Office No. 918 on 9/F, Shatin Galleria 18-24 Shan Mei Street Fotan, Shatin, Hong Kong P 852 2145 4099 F 852 2145 4477

