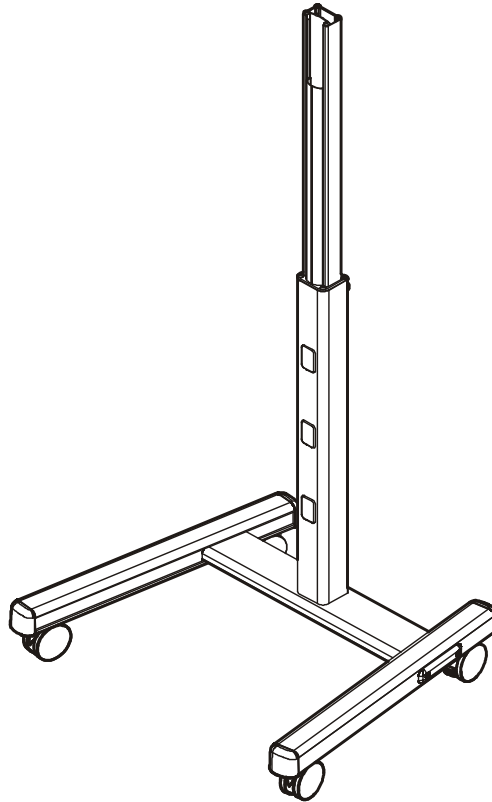

INSTALLATION INSTRUCTIONS



Mobile Base Music Stand

DISCLAIMER

Milestone AV Technologies and its affiliated corporations and subsidiaries (collectively, "Milestone"), intend to make this manual accurate and complete. However, Milestone makes no claim that the information contained herein covers all details, conditions or variations, nor does it provide for every possible contingency in connection with the installation or use of this product. The information contained in this document is subject to change without notice or obligation of any kind. Milestone makes no representation of warranty, expressed or implied, regarding the information contained herein. Milestone assumes no responsibility for accuracy, completeness or sufficiency of the information contained in this document.

Chief® is a registered trademark of Milestone AV Technologies. All rights reserved.



WARNING: Failure to read, thoroughly understand, and follow all instructions can result in serious personal injury, damage to equipment, or voiding of factory warranty! It is the installer's responsibility to make sure all components are properly assembled and installed using the instructions provided.



WARNING: Failure to provide adequate structural strength for this component can result in serious personal injury or damage to equipment! It is the installer's responsibility to make sure the structure to which this component is attached can support five times the combined weight of all equipment. Reinforce the structure as required before installing the component.



WARNING: Exceeding the weight capacity can result in serious personal injury or damage to equipment! It is the installer's responsibility to make sure the combined weight of all components on the stand does not exceed 150 lbs (68.04 kg).



IMPORTANT WARNINGS AND CAUTIONS!

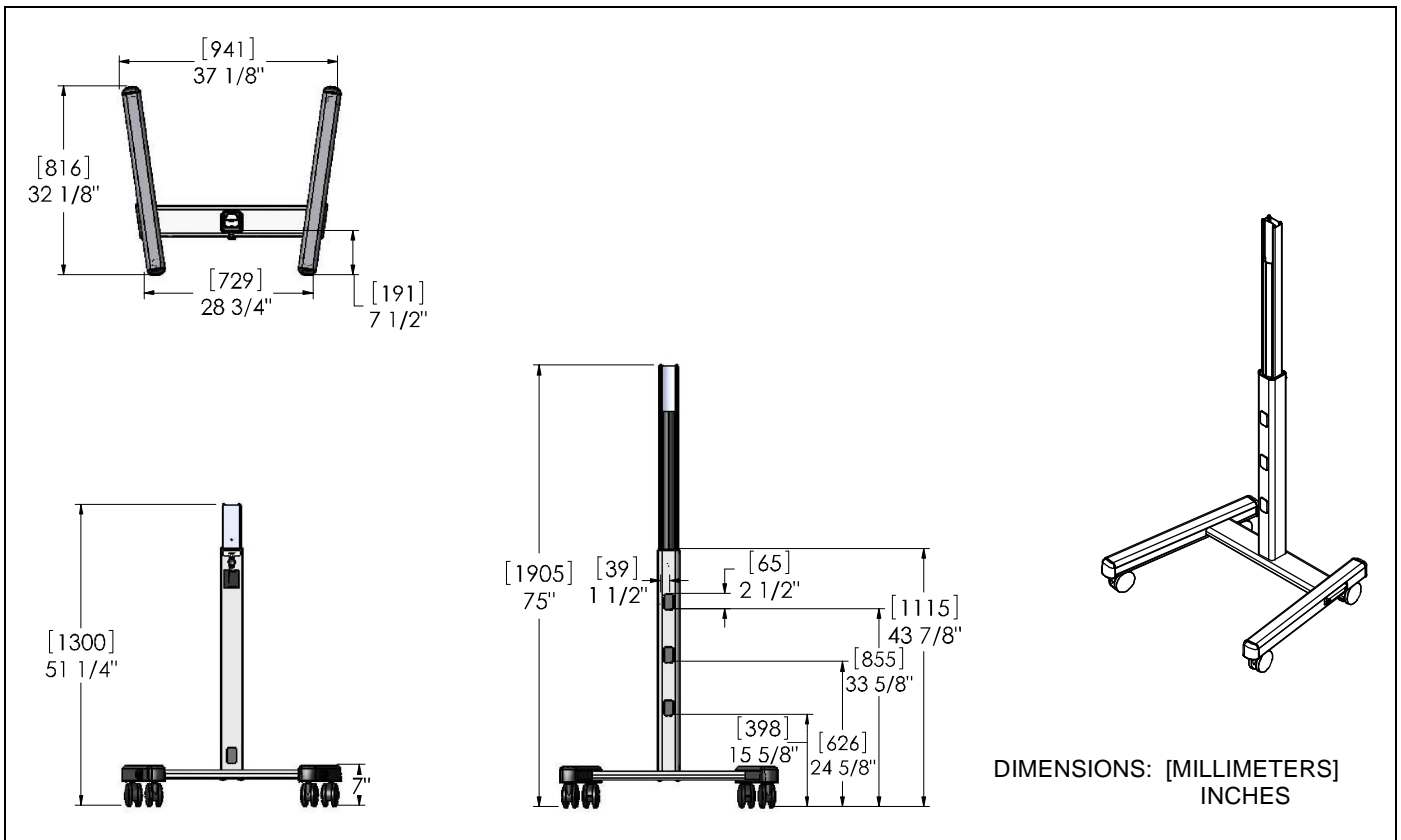


WARNING: A WARNING alerts you to the possibility of serious injury or death if you do not follow the instructions.

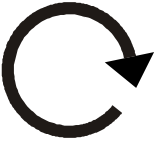

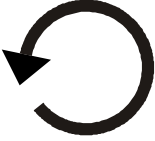











CAUTION: A CAUTION alerts you to the possibility of damage or destruction of equipment if you do not follow the corresponding instructions.

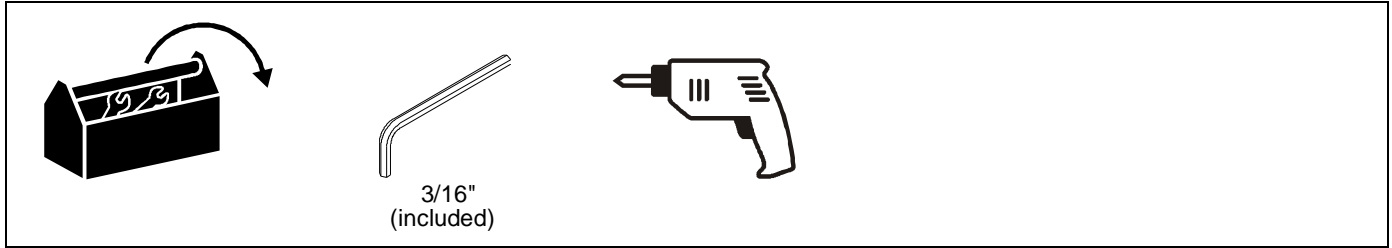
DIMENSIONS



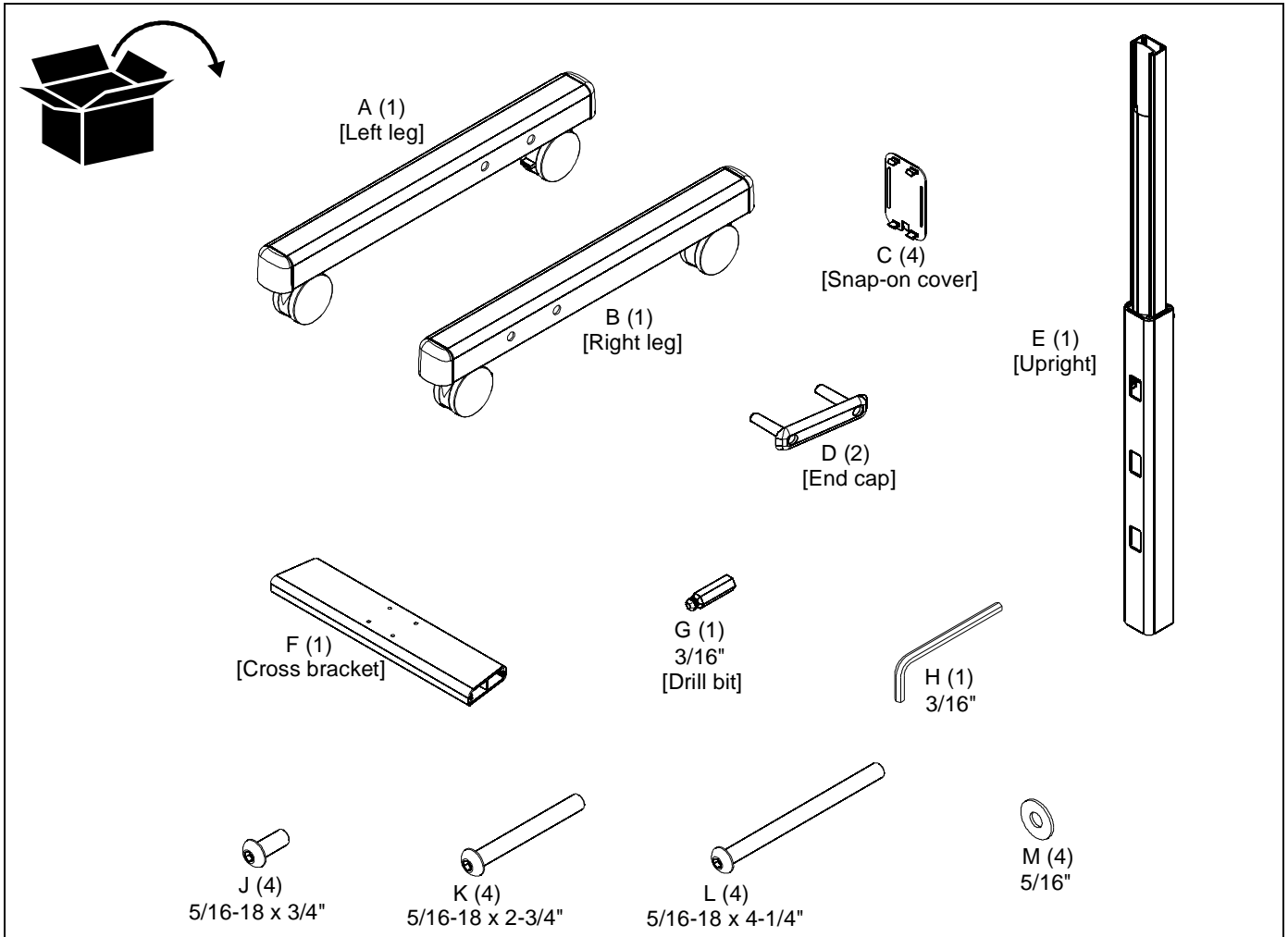
LEGEND

	Tighten Fastener Apretar elemento de fijación Befestigungsteil festziehen Apertar fixador Serrare il fissaggio Bevestiging vastdraaien Serrez les fixations		Pencil Mark Marcar con lápiz Stiftmarkierung Marcar com lápis Segno a matita Potloodmerkteken Marquage au crayon
	Loosen Fastener Aflojar elemento de fijación Befestigungsteil lösen Desapertar fixador Allentare il fissaggio Bevestiging losdraaien Desserrez les fixations		Drill Hole Perforar Bohrloch Fazer furo Praticare un foro Gat boren Percez un trou
	Phillips Screwdriver Destornillador Phillips Kreuzschlitzschraubendreher Chave de fendas Phillips Cacciavite a stella Kruiskopschroevendraaier Tournevis à pointe cruciforme		Adjust Ajustar Einstellen Ajustar Regolare Afstellen Ajuster
	Open-Ended Wrench Llave de boca Gabelschlüssel Chave de bocas Chiave a punte aperte Steeksleutel Clé à fourche		Remove Quitar Entfernen Remover Rimuovere Verwijderen Retirez
	By Hand A mano Von Hand Com a mão A mano Met de hand À la main		Optional Opcional Optional Opcional Opzionale Optie En option
	Hex-Head Wrench Llave de cabeza hexagonal Sechskantschlüssel Chave de cabeça sextavada Chiave esagonale Zeskantsleutel Clé à tête hexagonale		Security Wrench Llave de seguridad Sicherheitsschlüssel Chave de segurança Chiave di sicurezza Veiligheidssleutel Clé de sécurité

TOOLS REQUIRED FOR INSTALLATION



PARTS



ASSEMBLY



CAUTION: Attachment holes may be damaged if a power drill is used to insert button head cap screws. Screws should first be inserted and turned **BY HAND** with the hex key or with a handheld screwdriver **BEFORE** using the hex head drill bit (G) and power drill to complete the attachment.

1. Assemble two legs (A) and (B) to the stand cross bracket (F) using two 5/16-18 x 4-1/4" button head cap screws (L) through one end cap (D) per leg. (See Figure 1)

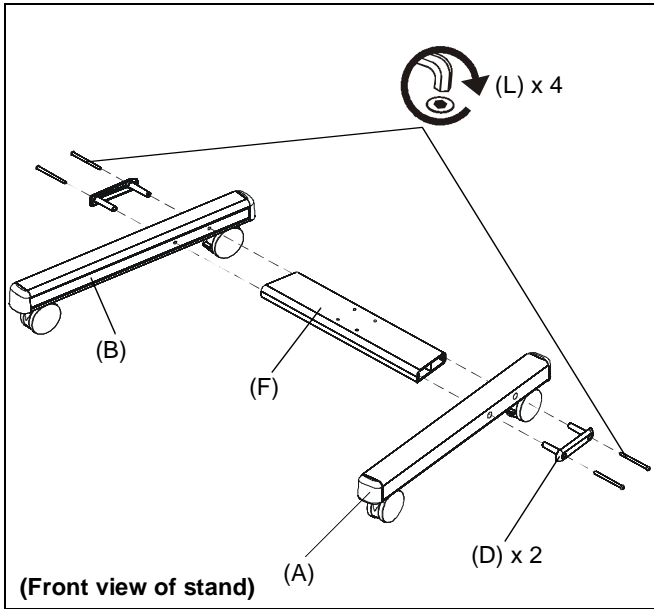


Figure 1



CAUTION: INNER COLUMN IS SHIPPED DISENGAGED and may pinch hands! Hold both inner column and outer upright while removing from box.

IMPORTANT ! : Press cable tie tab to loosen and remove cable tie from around knob post. (See Figure 2)

NOTE: Disengage knob on upright **BEFORE** attaching base to the upright.

2. Lift up slightly on the inner column of upright and hold firmly toward top of upright. (See Figure 2)
3. Pull out knob on the upright and turn 90° in either direction to disengage the locking mechanism. (See Figure 2)
4. Raise the inner column and turn the knob 90° in either direction to engage the knob and lock the column in place. (See Figure 2)

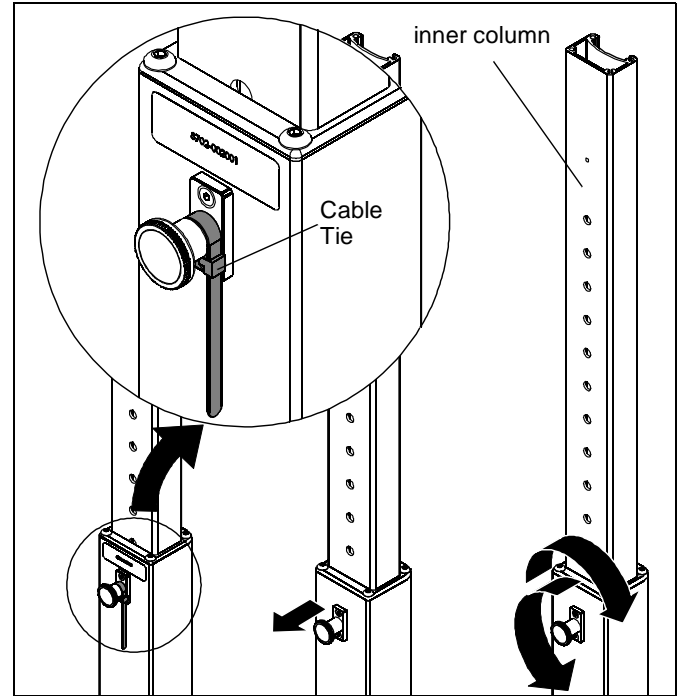


Figure 2

NOTE: Insert and turn screws in order shown (1, 2, 3, 4). (See Figure 3)

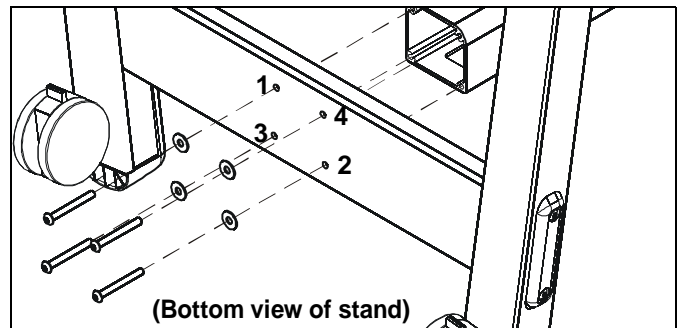


Figure 3

5. Attach upright (E) to leg assembly using four 5/16-18 x 2-3/4" button head cap screws (K) and four 5/16" washers (M). (See Figure 3) and (See Figure 4)

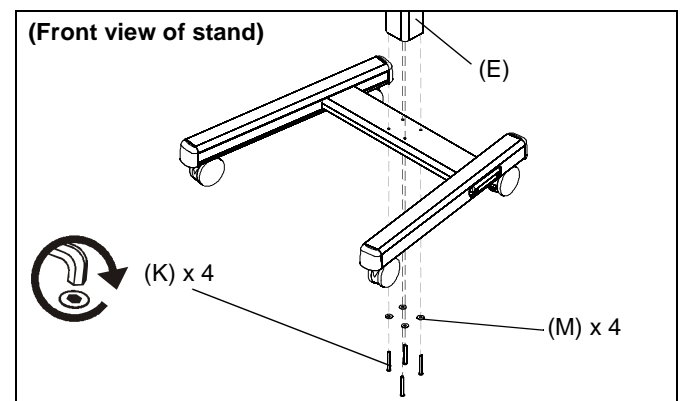


Figure 4

Attaching Accessories to Mobile Stand

⚠ WARNING: EXCEEDING MAXIMUM WEIGHT CAPACITY MAY LEAD TO SERIOUS PERSONAL INJURY OR DAMAGE TO EQUIPMENT! It is the installer's responsibility to ensure the total amount of weight placed on the stand does not exceed 150 lbs (68.04 kg).

⚠ CAUTION: Before attaching accessories to stand set the brakes on the back wheels by pressing down on the tab. (See Figure 5)

1. Attach accessory and component(s) to stand following instructions included with the accessory.

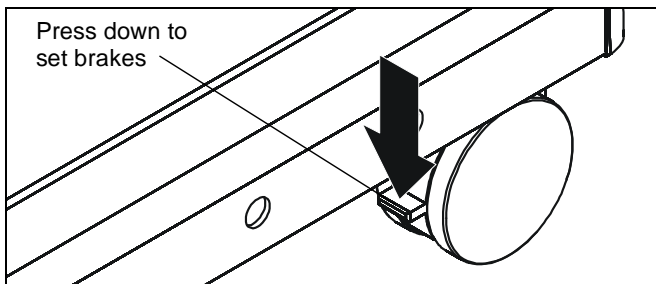


Figure 5

Adjusting Stand Height

⚠ CAUTION: ALWAYS remove components attached to accessories BEFORE adjusting the height of stand.

1. Firmly grasp **top** of **inner** column. (See Figure 6)

IMPORTANT ! : Firmly grasp at the **top** of the **inner** column when adjusting stand height. (See Figure 6)

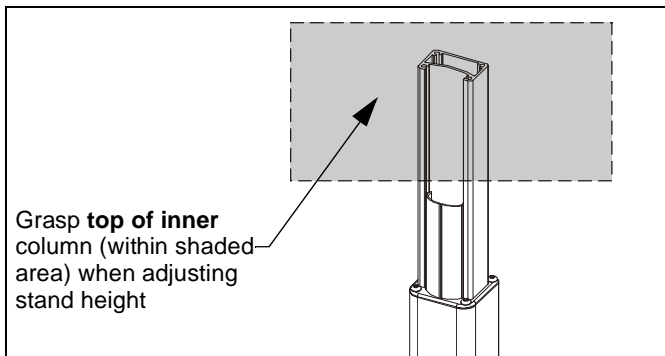


Figure 6

2. Adjust the stand to the desired height by slightly lifting the accessory, pulling out knob on the center post and turning 90° in either direction to disengage the locking mechanism. (See Figure 7)
3. Raise or lower the upright, then turn the knob 90° either direction to engage the knob and lock the stand at desired height. (See Figure 7)

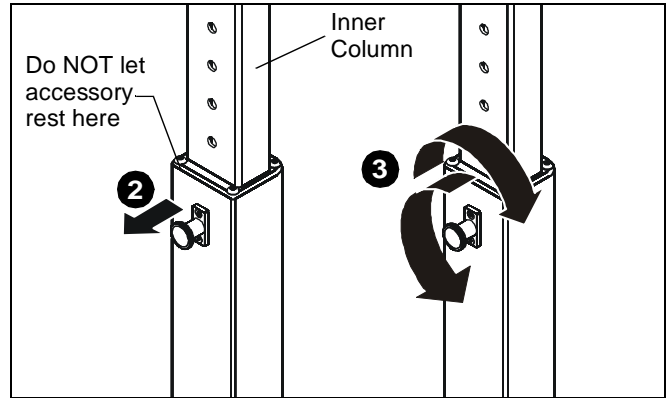


Figure 7

IMPORTANT ! : Set the height of the stand so the accessories do NOT rest on the upper part of the outer column. (See Figure 7) Always set the height so the knob is engaged in a hole in the inner column.

Cable Management

1. Signal cables can be run down the front flap of the upright and out the front of the upright at any of the openings. (See Figure 8)
2. Any accessory power cords can be run through the front and down through the upright to exit out the back. (See Figure 8)
3. Install the snap-on covers (C) to any opening that is not being used. (See Figure 8)
4. To remove the snap-on covers, grip the sides of the cover in the middle and pull off. They can also be removed by inserting a flat-blade screwdriver into the bottom slot and rotating the screwdriver.

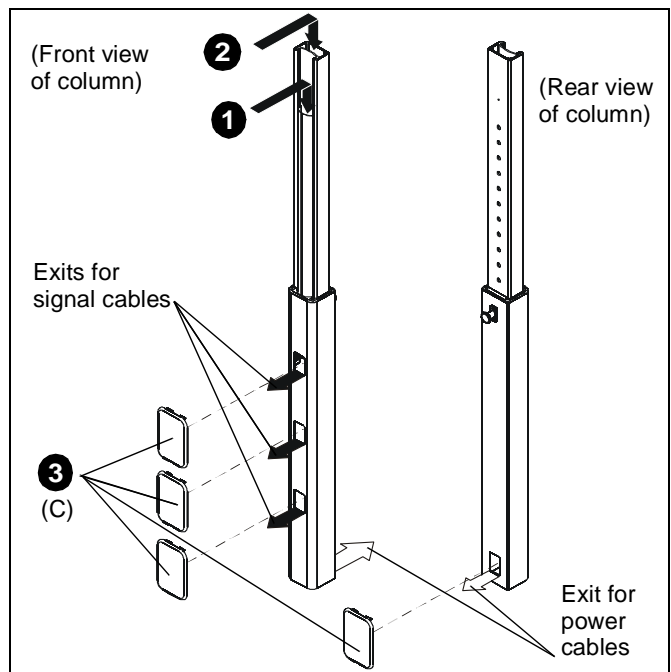


Figure 8

Stand Use and Maintenance



CAUTION: This stand is intended for use only with the products and maximum weight indicated (150 lbs [68.04 kg]). Use with other products or products heavier than the maximum weight indicated may result in instability causing possible injury.



WARNING: STAND CAN TIP OVER RESULTING IN RISK OF INJURY. Move stand slowly. Apply moving force on narrow dimension. Never apply force at top - always push near middle. Push, don't pull.

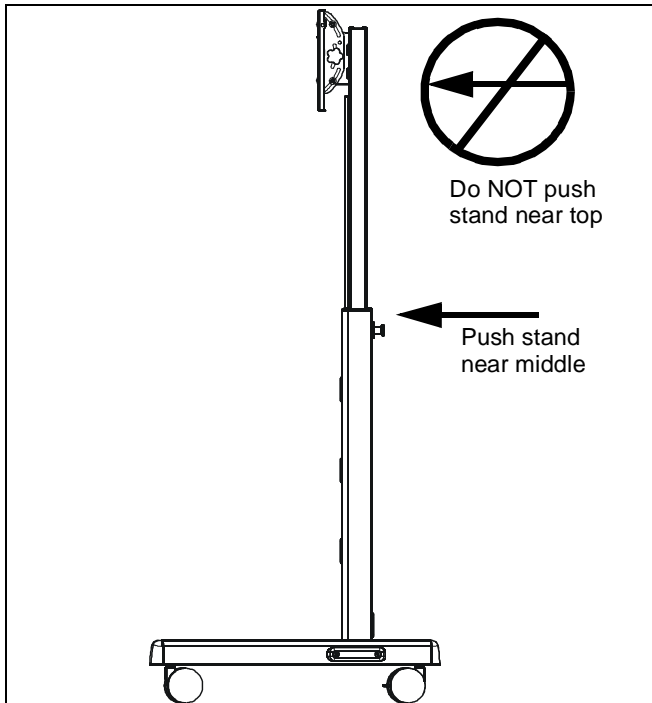


Figure 9

1. Always place stand on level surface.
2. Always lock the wheels when the stand is not moving.
3. Check and tighten the hex nuts on the casters occasionally. (See Figure 10) These should be checked especially after use on uneven ground.

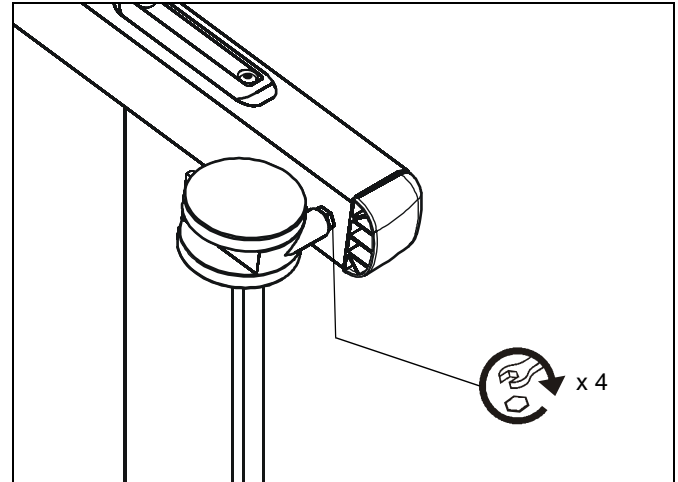


Figure 10



Our Mounts. **Your Vision.**

Chief, a products division of
Milestone AV Technologies

8800-002907 Rev00

©2016 Milestone AV Technologies

www.milestone.com

12/16

USA/International	A 6436 City West Parkway, Eden Prairie, MN 55344
	P 800.582.6480 / 952.225.6000
	F 877.894.6918 / 952.894.6918
Europe	A Franklinstraat 14, 6003 DK Weert, Netherlands
	P +31 (0) 495 580 852
	F +31 (0) 495 580 845
Asia Pacific	A Office No. 918 on 9/F, Shatin Galleria 18-24 Shan Mei Street Fotan, Shatin, Hong Kong
	P 852 2145 4099
	F 852 2145 4477

