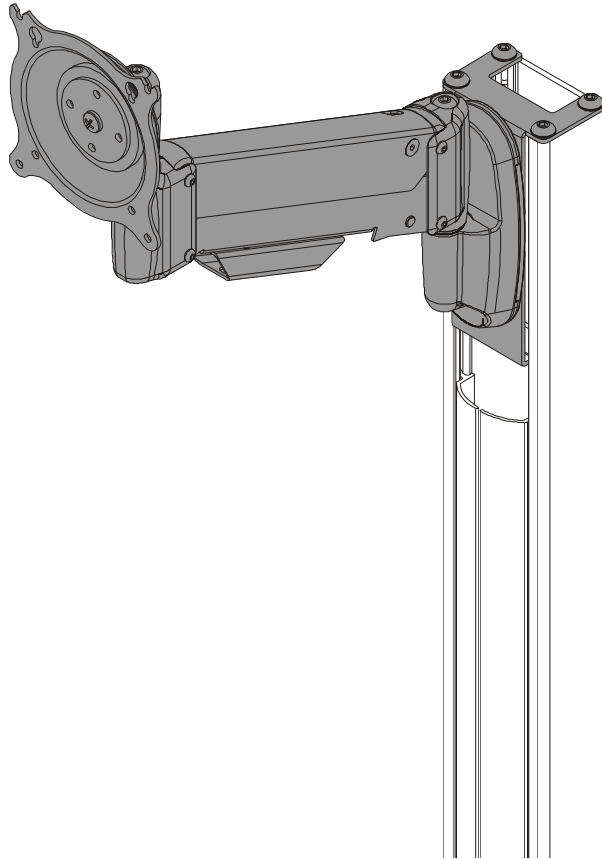

INSTALLATION INSTRUCTIONS



Music Stand Height Adjust Single Monitor

DISCLAIMER

Milestone AV Technologies and its affiliated corporations and subsidiaries (collectively "Milestone"), intend to make this manual accurate and complete. However, Milestone makes no claim that the information contained herein covers all details, conditions or variations, nor does it provide for every possible contingency in connection with the installation or use of this product. The information contained in this document is subject to change without notice or obligation of any kind. Milestone makes no representation of warranty, expressed or implied, regarding the information contained herein. Milestone assumes no responsibility for accuracy, completeness or sufficiency of the information contained in this document.

Chief® and Centris® are registered trademarks of Milestone AV Technologies. All rights reserved.

! IMPORTANT WARNINGS AND CAUTIONS!

! WARNING: A WARNING alerts you to the possibility of serious injury or death if you do not follow the instructions.

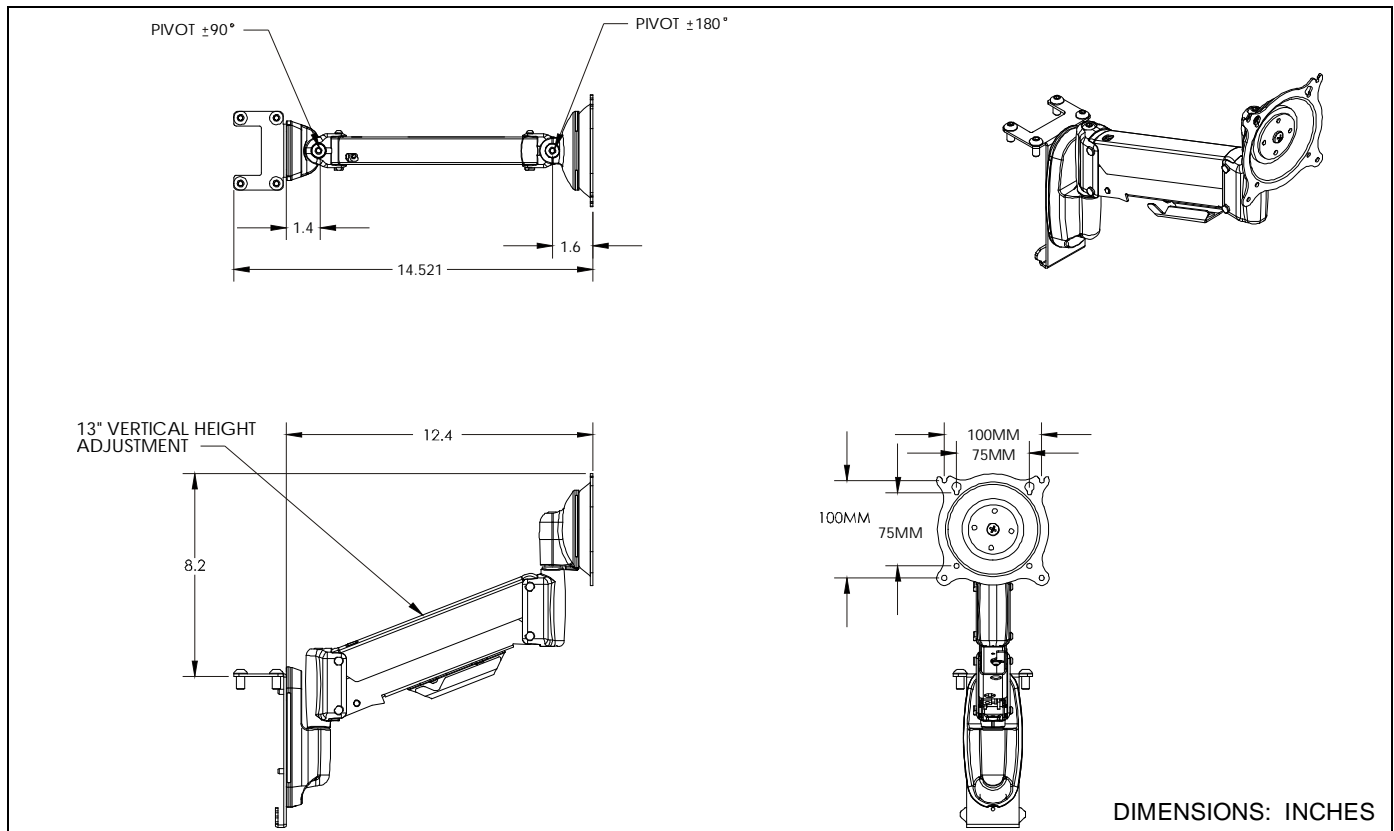
! CAUTION: A CAUTION alerts you to the possibility of damage or destruction of equipment if you do not follow the corresponding instructions.

! WARNING: Failure to read, thoroughly understand, and follow all instructions can result in serious personal injury, damage to equipment, or voiding of factory warranty! It is the installer's responsibility to make sure all components are properly assembled and installed using the instructions provided.

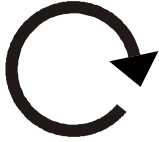

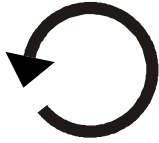

! WARNING: Failure to provide adequate structural strength for this component can result in serious personal injury or damage to equipment! It is the installer's responsibility to make sure the structure to which this component is attached can support five times the combined weight of all equipment. Reinforce the structure as required before installing the component.

! WARNING: Exceeding the weight capacity can result in serious personal injury or damage to equipment! It is the installer's responsibility to make sure the combined weight of all components attached to the QMP1MM1 up to (and including) the display does not exceed 25 lbs (11.3 kg). Use with products heavier than the maximum weight indicated may result in collapse of the mount and its accessories causing possible injury.

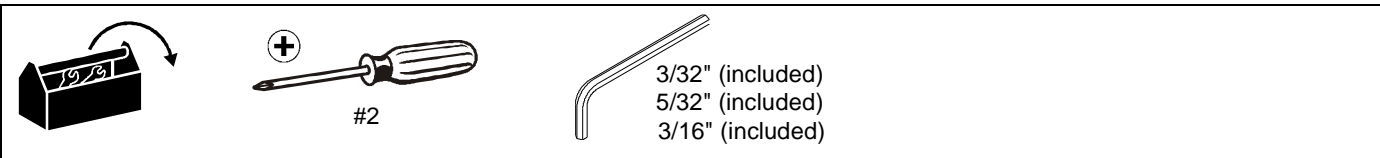
DIMENSIONS



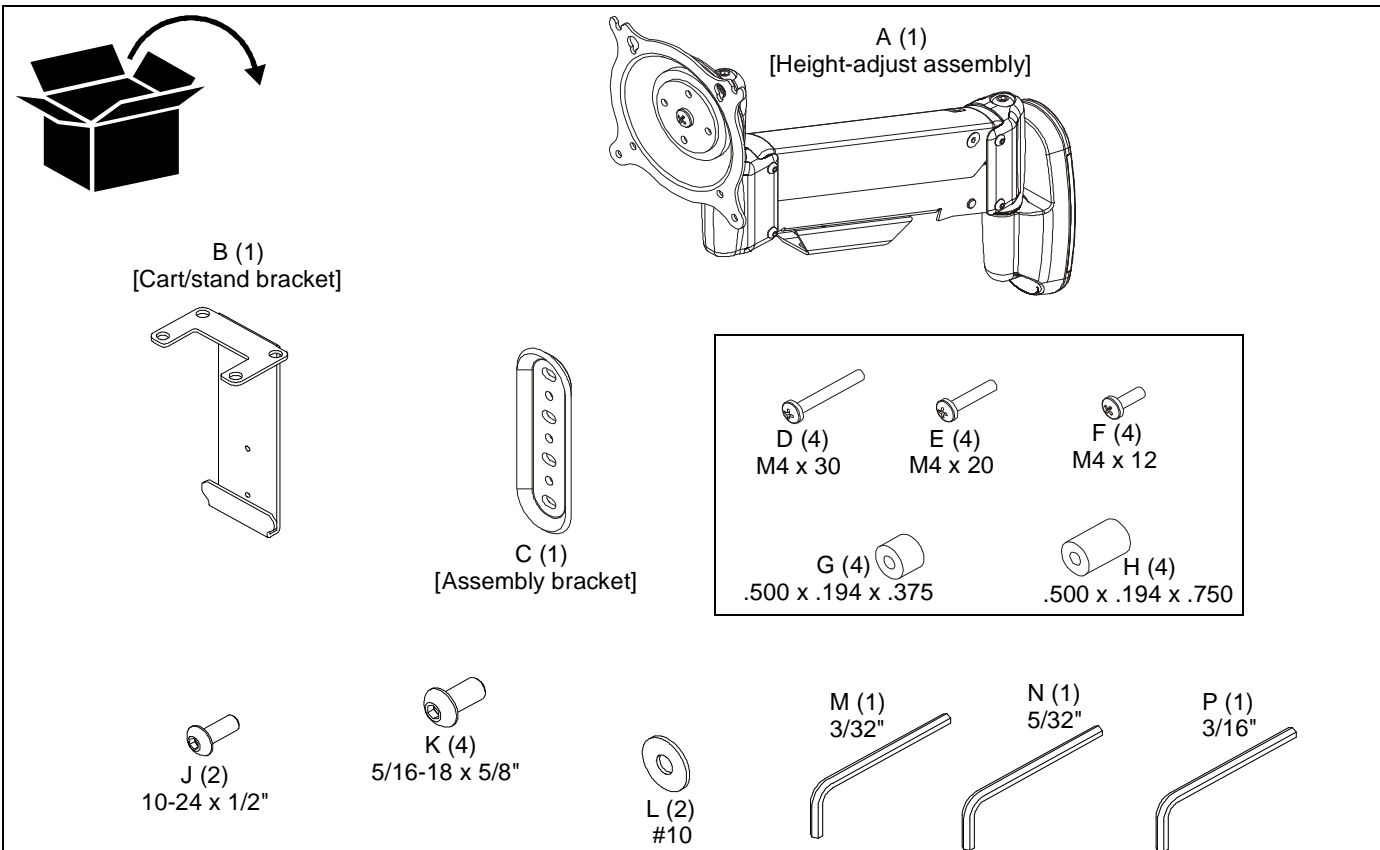
LEGEND

	Tighten Fastener		Phillips Screwdriver
	Apretar elemento de fijación		Destornillador Phillips
	Befestigungsteil festziehen		Kreuzschlitzschraubendreher
	Apertar fixador		Chave de fendas Phillips
	Serrare il fissaggio		Cacciavite a stella
	Bevestiging vastdraaien		Kruiskopschroevendraaier
Serrez les fixations	Tournevis à pointe cruciforme		
	Loosen Fastener		Hex-Head Wrench
	Aflojar elemento de fijación		Llave de cabeza hexagonal
	Befestigungsteil lösen		Sechskantschlüssel
	Desapertar fixador		Chave de cabeça sextavada
	Allentare il fissaggio		Chiave esagonale
	Bevestiging losdraaien		Zeskantsleutel
Desserrez les fixations	Clé à tête hexagonale		

TOOLS REQUIRED FOR INSTALLATION



PARTS



ASSEMBLY

The QMP1MM1 is designed to be attached to Chief carts and stands.

1. Slide cart/stand bracket (B) onto cart/stand column (not included), ensuring that cart/stand bracket tab slides into the front of cart/stand column. (See Figure 1)
2. Fasten the bracket to the cart/stand using four 5/16-18 x 5/8" button head cap screws (K). (See Figure 1)

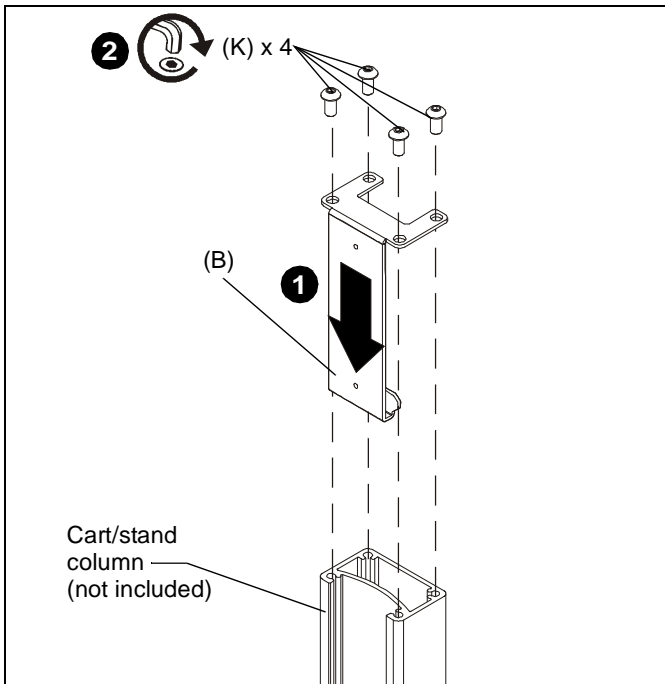


Figure 1

3. Attach assembly bracket (C) to cart/stand bracket (B) using two 10-24 x 1/2" button head cap screws (J) and two #10 flat washers (L) through the top two holes in the assembly bracket. (See Figure 2)

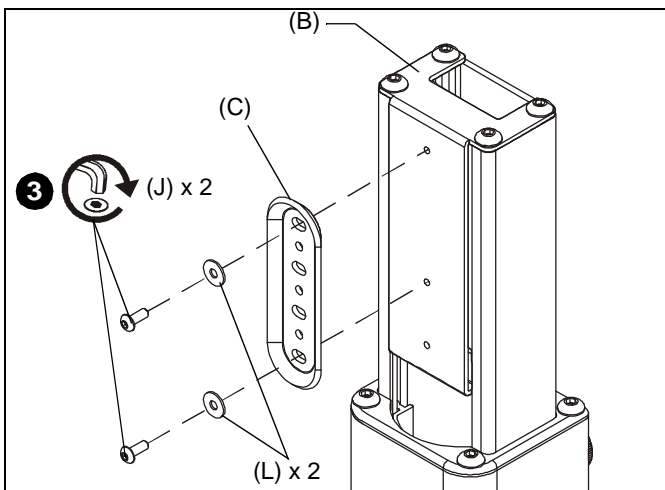


Figure 2

IMPORTANT ! : If the display being installed has a recessed mounting surface, the display must be assembled to the mount prior to mount installation. See **Display Installation** section before proceeding.

4. Insert top of height-adjust assembly (A) over lip on top of assembly bracket (C). (See Figure 3)

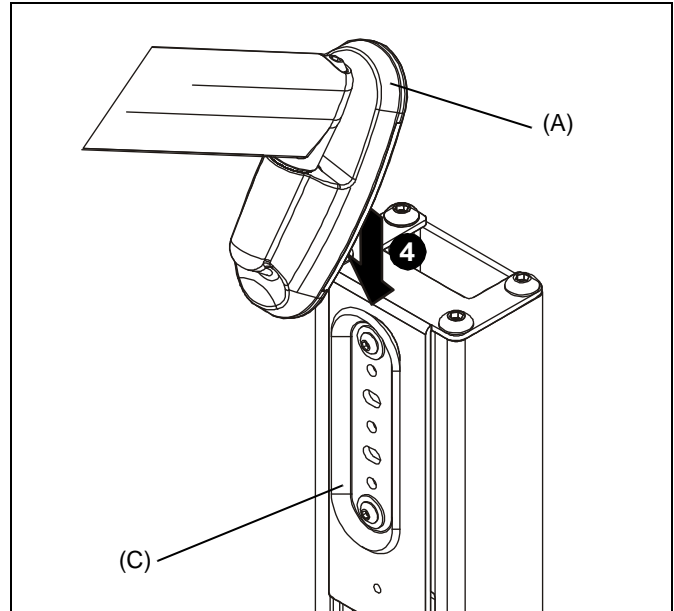


Figure 3

5. Swing height-adjust assembly (A) down flush against assembly bracket (C). (See Figure 4)

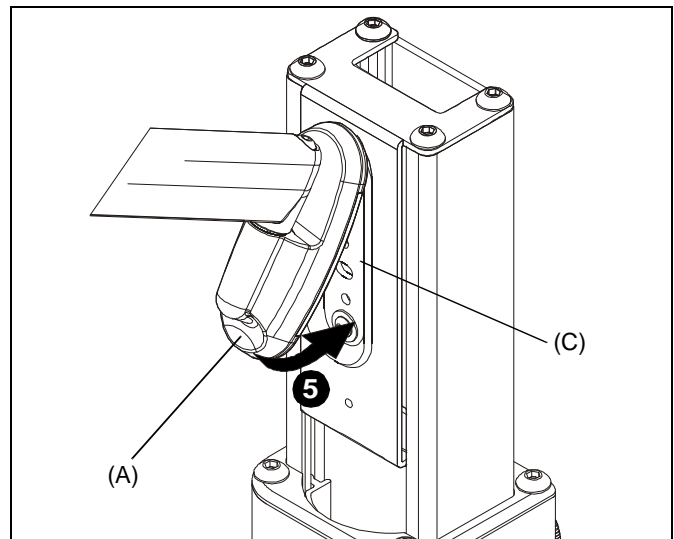


Figure 4

- Tighten set screw using 5/32" hex key (N). (See Figure 5)



CAUTION: IMPROPER INSTALLATION CAN LEAD TO DISPLAY FALLING CAUSING SERIOUS PERSONAL INJURY OR DAMAGE TO EQUIPMENT! Make sure set screw engages back side of assembly bracket on cart/stand column. (See Figure 5)

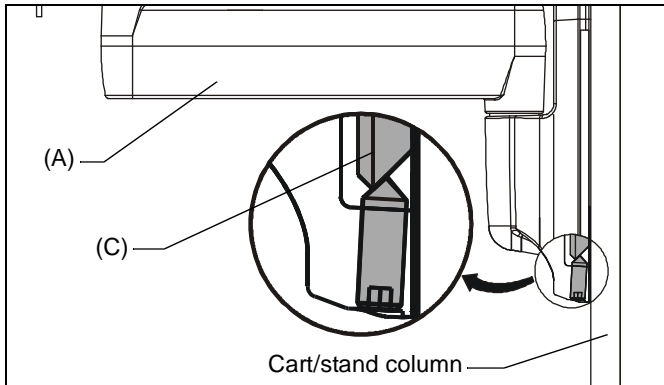


Figure 5

DISPLAY INSTALLATION

The mounting holes on the back of the display will be *flush with* the back surface, or *recessed into* the back. Refer to the applicable installation procedure below.

Swing Arm Flush Display Installation



CAUTION: IMPROPER INSTALLATION CAN LEAD TO DISPLAY FALLING CAUSING SERIOUS PERSONAL INJURY OR DAMAGE TO EQUIPMENT! Using screws of improper size may damage your display! Proper screws will easily and completely thread into display mounting holes.



CAUTION: IMPROPER INSTALLATION CAN LEAD TO DISPLAY FALLING CAUSING SERIOUS PERSONAL INJURY OR DAMAGE TO EQUIPMENT! Inadequate thread engagement in display may cause display to fall! Back out screws **ONLY** as necessary to allow installation of Centris bracket!

- Ensure Centris cup is able to swivel and tilt easily, yet still be tight enough to hold display in desired position. Adjust as required before proceeding. See **Adjustment** section for detail.
- Carefully install two M4 x 12mm Phillips head cap screws (F) into the *upper* mounting holes on the display. Thread screws completely into display, then back out 3 complete turns. (See Figure 6)
- Align two screws (F) with the two top teardrop mounting holes on the Centris cup and lower Centris cup onto installed screws.



CAUTION: IMPROPER INSTALLATION CAN LEAD TO DISPLAY FALLING CAUSING SERIOUS PERSONAL INJURY OR DAMAGE TO EQUIPMENT! Smaller area of teardrop mounting holes must be facing downward for proper installation. Reposition Centris cup if required.

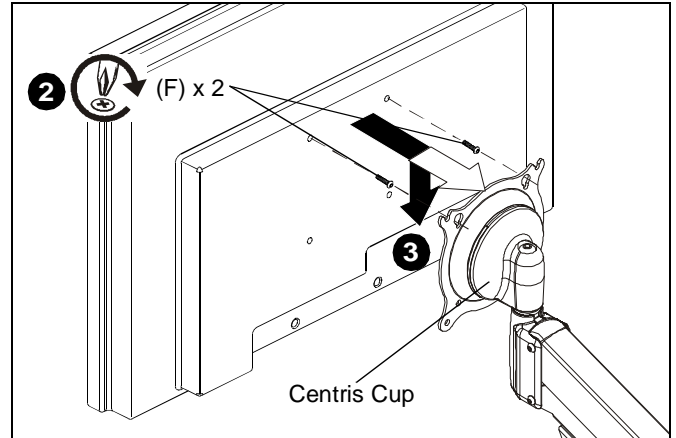


Figure 6

- Install two M4 x 12mm Phillips head cap screws (F) through the *lower* mounting holes in Centris cup into the display. (See Figure 7)
- Tighten all screws. Do not overtighten!

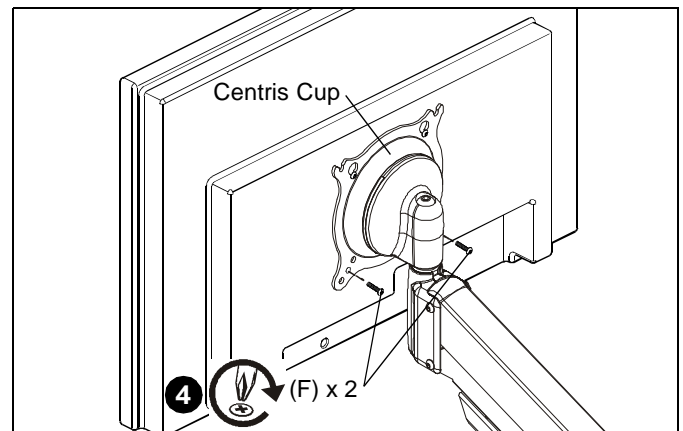


Figure 7

- Proceed to **Cable Management** section.

Swing Arm Recessed Display Installation

- Ensure Centris bracket is able to swivel and tilt easily, yet still be tight enough to hold display in desired position. Adjust as required before proceeding. See **Adjustment** section for detail.
- Carefully place display face down on a clean and dry surface.
- Determine depth of recessed mounting holes relative to back surface of display.

4. Select proper length spacer and screw from table below:

IMPORTANT ! : All spacers used should be the same length. If the recess depths result in multiple spacer lengths, then select the longer spacer.

IF recess DEPTH is:	THEN use spacer:	AND screw:
3/8" or less	G (3/8" long)	E (M4 x 20mm)
More than 3/8" up to and including 3/4"	H (3/4" long)	D (M4 x 30mm)

- Place the four spacers (G or H) over each mounting hole on the back of display. (See Figure 8)
- Orient mount so that mounting holes in the Centris cup are aligned with the holes in the spacers (G or H); rotate the Centris cup as required (See Figure 8).



CAUTION: IMPROPER INSTALLATION CAN LEAD TO DISPLAY FALLING CAUSING SERIOUS PERSONAL INJURY OR DAMAGE TO EQUIPMENT! Using screws of improper size may damage your display! Proper screws will easily and completely thread into display mounting holes.

- Install four M4 x 20mm (E) or four M4 x 30mm (D) Phillips head cap screws through the mounting holes in Centris cup, through the spacers (G or H), into display (See Figure 8).
- Tighten all four screws. Do not overtighten!
- Return to mount installation section to continue.

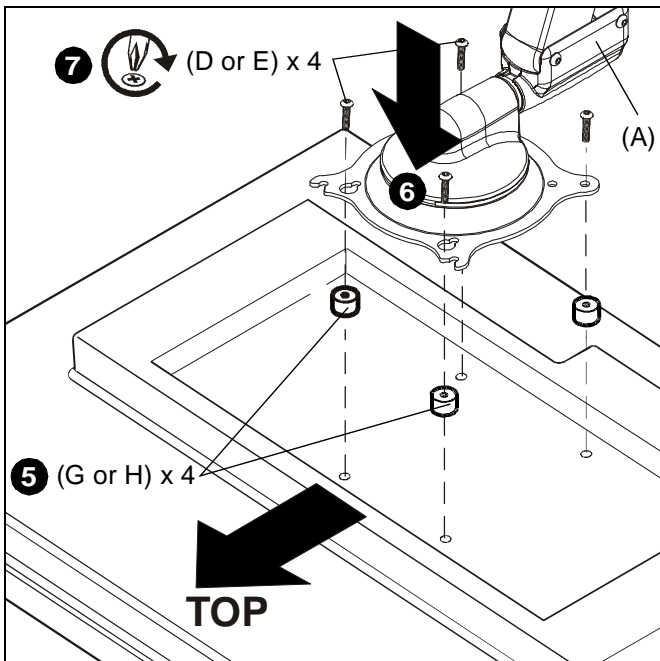


Figure 8

CABLE MANAGEMENT

- Attach all cables to display.
- Open the cable management bracket on the height-adjust assembly (A) by sliding it towards the edge of the arm. (See Figure 9)

NOTE: If necessary, cable management bracket attach screws may be loosened using 3/32" hex key (M).

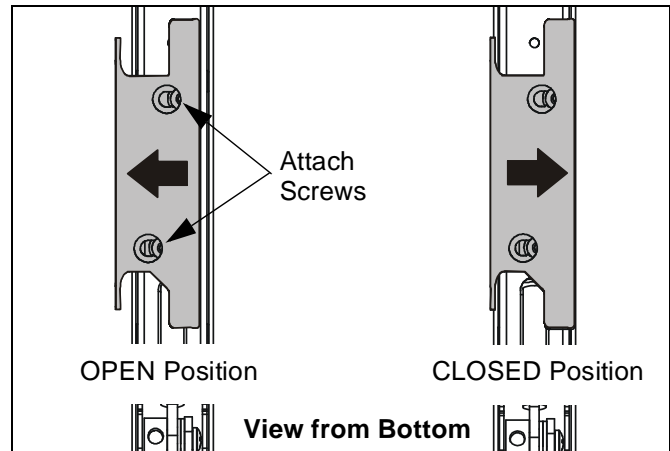


Figure 9



CAUTION: Ensure that adequate cable slack exists for movement of display, and that cables will not be pinched when bracket is closed.

- Carefully insert cables into bracket (See Figure 10).

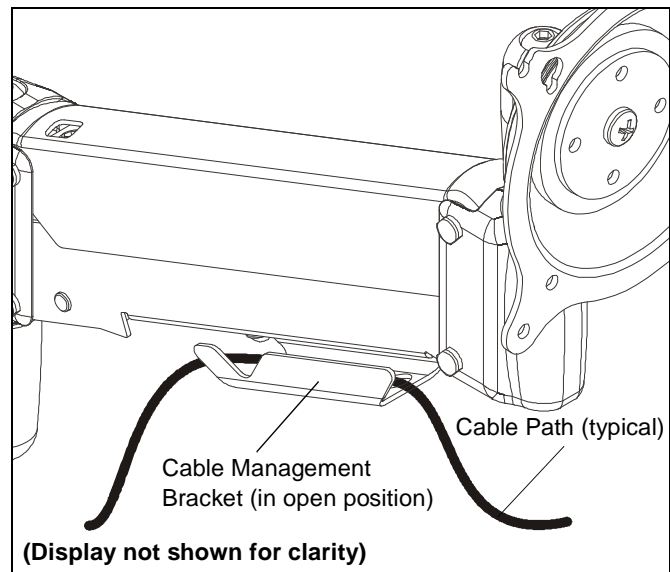


Figure 10

- Close cable management bracket by sliding it back towards the centerline of the arm (See Figure 9).

NOTE: If necessary, cable management bracket attach screws may be tightened using 3/32" hex key (M).

Installation is complete.

ADJUSTMENTS

Centris Head Tension Adjustment

1. If previously attached, disconnect cables from display, remove display.
2. Using Phillips screwdriver, slightly loosen or tighten the adjustment screw as necessary (See Figure 11).

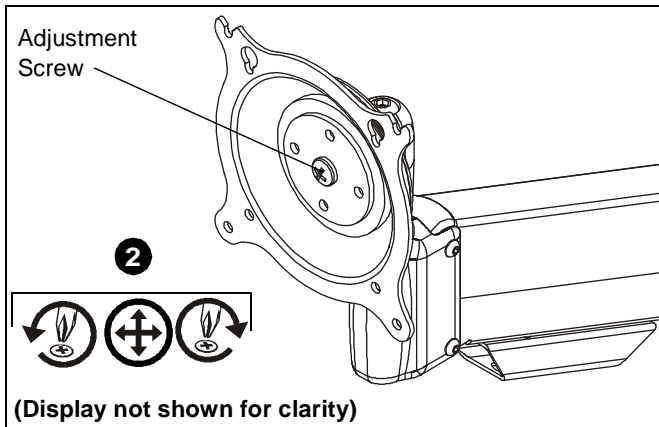


Figure 11

3. Reinstall display. See **Display Installation** section.

Swing Arm Tension

1. Using 3/16" hex wrench (P), loosen or tighten adjustment screw(s) as necessary (See Figure 12).

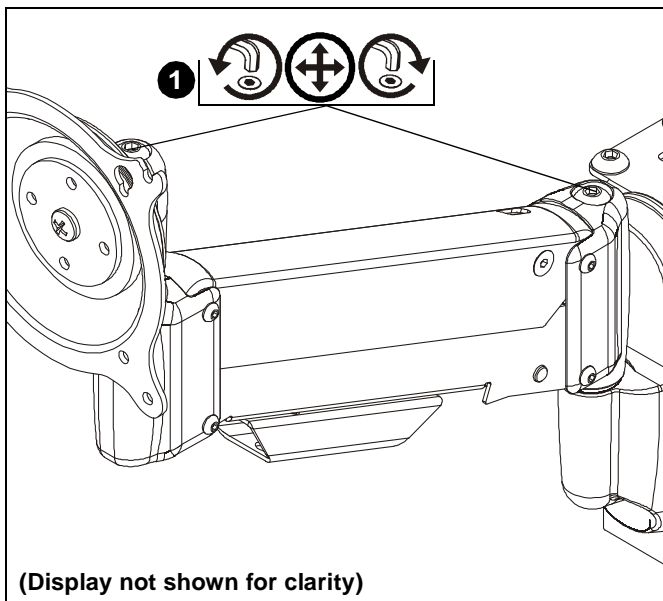


Figure 12

Arm Height Adjustment

IMPORTANT ! : It is important that the QMP1MM1 be attached to the cart/stand AND display be attached to the QMP1MM1 BEFORE attempting to adjust the height-adjust arm.

1. Using 5/32" hex key (N), slightly loosen or tighten the adjustment screw as necessary (See Figure 13).
 - If display settles on its own, then rotate adjustment screw counterclockwise (towards the "+" symbol).
 - If display rises on its own, then rotate adjustment screw clockwise (towards the "-" symbol).

NOTE: It may be necessary to raise or lower the height adjustable arm to expose the adjustment screw.

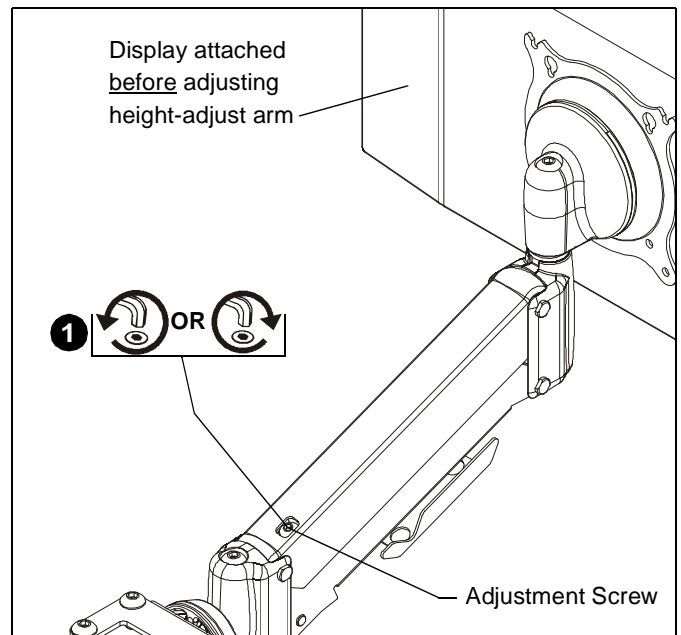


Figure 13



Chief Manufacturing, a products division
of Milestone AV Technologies

8832-002046 Rev00
©2011 Milestone AV Technologies, a
Duchossois Group Company
www.chiefmfg.com
01/11

USA/International	A 8401 Eagle Creek Parkway, Savage, MN 55378 P 800.582.6480 / 952.894.6280 F 877.894.6918 / 952.894.6918
Europe	A Fellenoord 130 5611 ZB EINDHOVEN, The Netherlands P +31 (0)40 2668620 F +31 (0)40 2668615
Asia Pacific	A Office No. 1 on 12/F, Shatin Galleria 18-24 Shan Mei Street Fotan, Shatin, Hong Kong P 852 2145 4099 F 852 2145 4477

