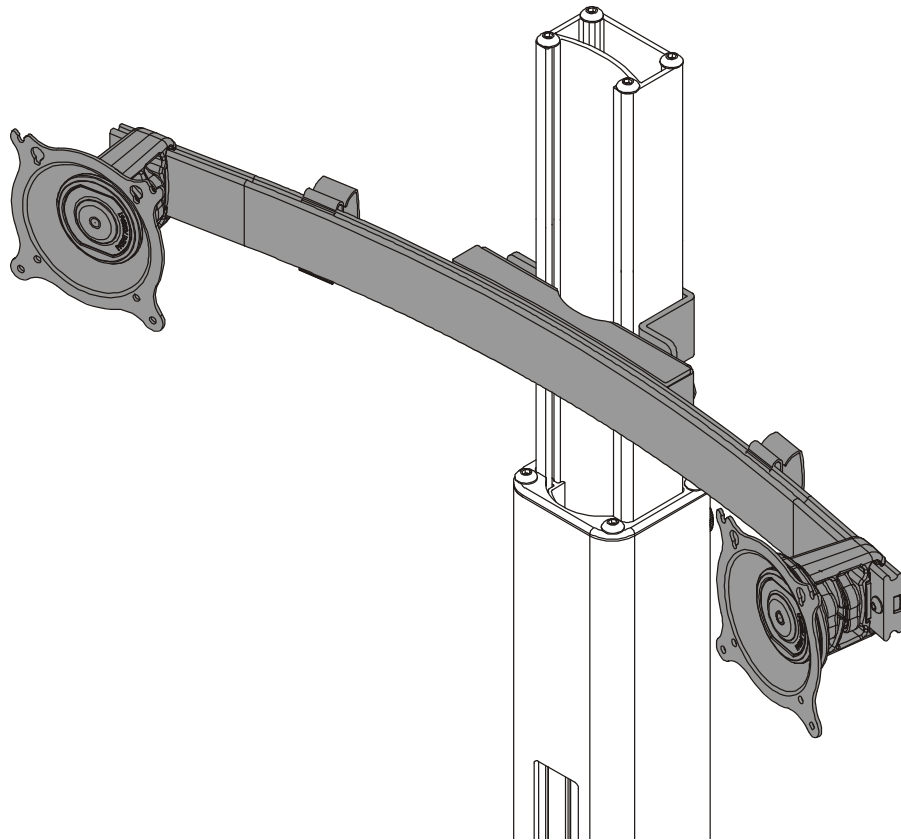

INSTALLATION INSTRUCTIONS



Music Stand Dual Array

DISCLAIMER

Milestone AV Technologies and its affiliated corporations and subsidiaries (collectively "Milestone"), intend to make this manual accurate and complete. However, Milestone makes no claim that the information contained herein covers all details, conditions or variations, nor does it provide for every possible contingency in connection with the installation or use of this product. The information contained in this document is subject to change without notice or obligation of any kind. Milestone makes no representation of warranty, expressed or implied, regarding the information contained herein. Milestone assumes no responsibility for accuracy, completeness or sufficiency of the information contained in this document.

Chief® and Centris® are registered trademarks of Milestone AV Technologies. All rights reserved.

! IMPORTANT WARNINGS AND CAUTIONS!

! WARNING: A WARNING alerts you to the possibility of serious injury or death if you do not follow the instructions.

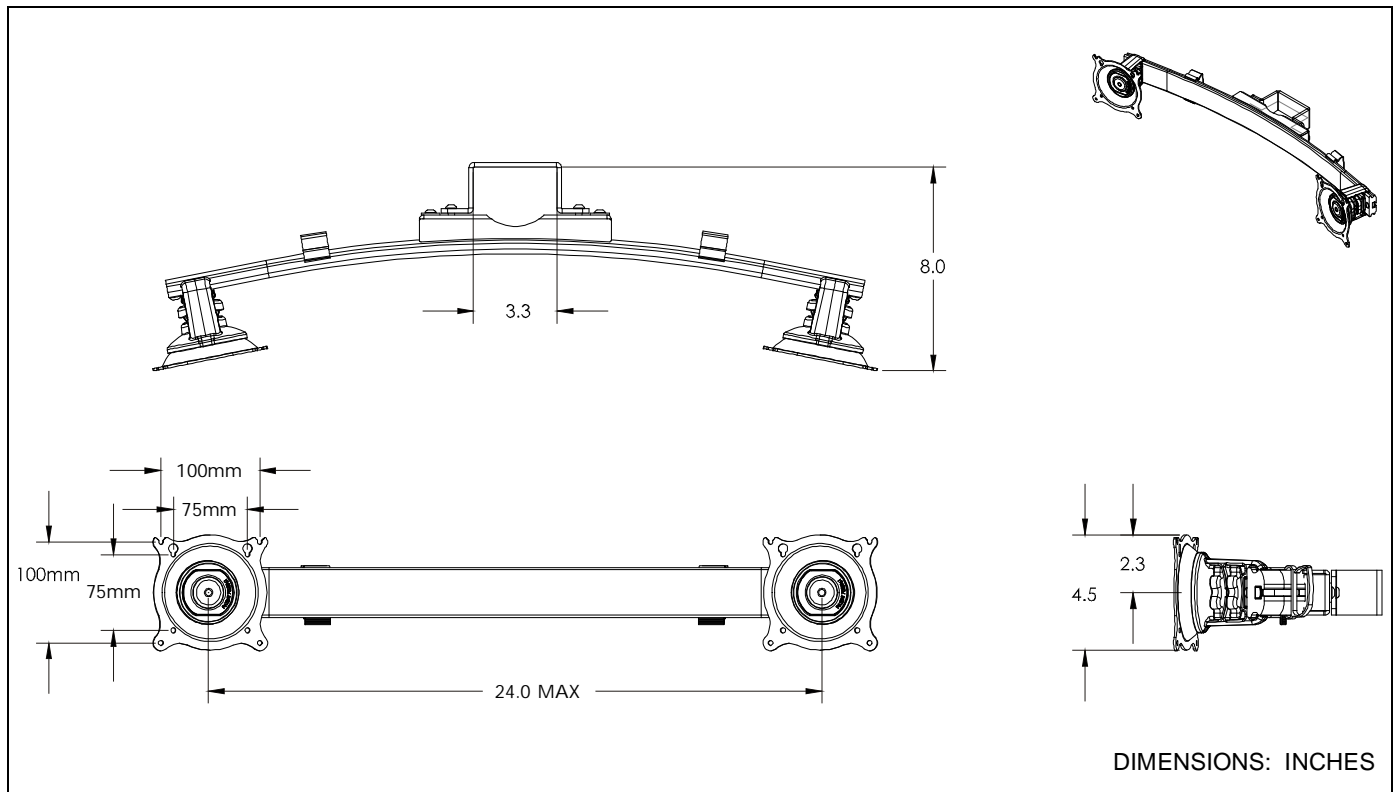
! CAUTION: A CAUTION alerts you to the possibility of damage or destruction of equipment if you do not follow the corresponding instructions.

! WARNING: Failure to read, thoroughly understand, and follow all instructions can result in serious personal injury, damage to equipment, or voiding of factory warranty! It is the installer's responsibility to make sure all components are properly assembled and installed using the instructions provided.

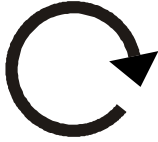

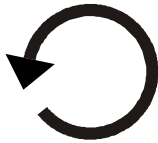

! WARNING: Failure to provide adequate structural strength for this component can result in serious personal injury or damage to equipment! It is the installer's responsibility to make sure the structure to which this component is attached can support five times the combined weight of all equipment. Reinforce the structure as required before installing the component.

! WARNING: Exceeding the weight capacity can result in serious personal injury or damage to equipment! It is the installer's responsibility to make sure the combined weight of all components attached to the QMP1MM2 up to (and including) the displays does not exceed 70 lbs (31.8 kg) [35 lbs (15.9 kg) per display]. Use with products heavier than the maximum weight indicated may result in collapse of the mount and its accessories causing possible injury.

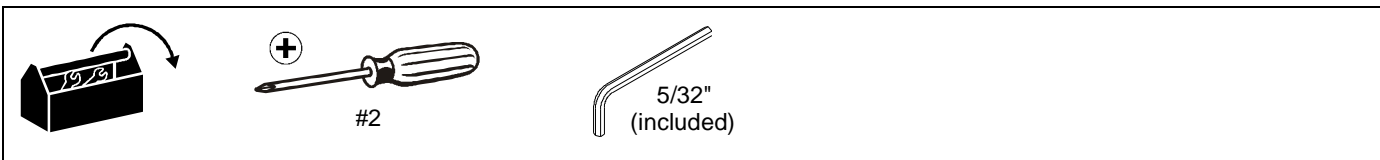
DIMENSIONS



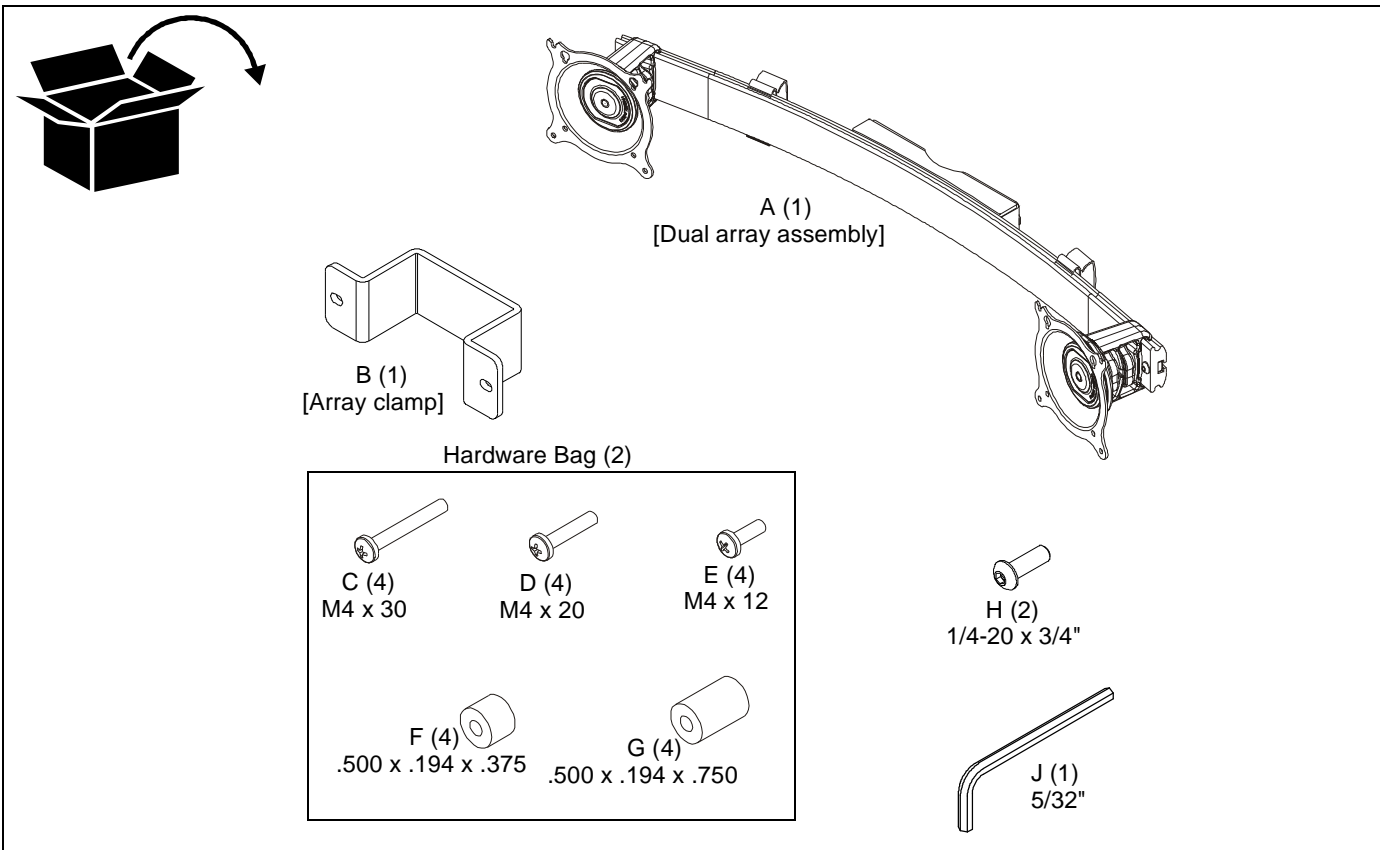
LEGEND

| | | | |
|---|-------------------------------|--|-----------------------------|
|  | Tighten Fastener |  | Phillips Screwdriver |
| | Apretar elemento de fijación | | Destornillador Phillips |
| | Befestigungsteil festziehen | | Kreuzschlitzschraubendreher |
| | Apertar fixador | | Chave de fendas Phillips |
| | Serrare il fissaggio | | Cacciavite a stella |
| | Bevestiging vastdraaien | | Kruiskopschroevendraaier |
| Serrez les fixations | Tournevis à pointe cruciforme | | |
|  | Loosen Fastener |  | Hex-Head Wrench |
| | Aflojar elemento de fijación | | Llave de cabeza hexagonal |
| | Befestigungsteil lösen | | Sechskantschlüssel |
| | Desapertar fixador | | Chave de cabeça sextavada |
| | Allentare il fissaggio | | Chiave esagonale |
| | Bevestiging losdraaien | | Zeskantsleutel |
| Desserrez les fixations | Clé à tête hexagonale | | |

TOOLS REQUIRED FOR INSTALLATION



PARTS



ASSEMBLY

The QMP1MM2 is designed to be attached to the inner column of Chief carts and stands.

1. Attach column to cart/stand base (not included) following instructions included with cart/stand (not included).
2. Fasten array clamp (B) around the cart/stand inner column and to the dual array assembly (A) using two 1/4-20 x 3/4" button head screws (H). (See Figure 1)

NOTE: The QMP1MM2 attaches only to the **INNER** column of the Chief cart or stand.

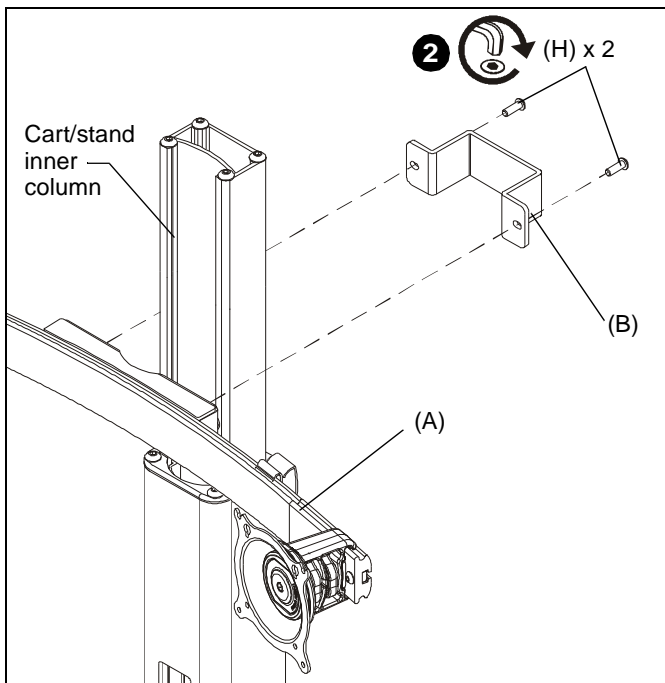


Figure 1

DISPLAY INSTALLATION

The mounting holes on the back of the displays will be *flush with the back surface*, or *recessed into the back*. Refer to the applicable installation procedure below.

Flush Display Installation



CAUTION: IMPROPER INSTALLATION CAN LEAD TO DISPLAY FALLING CAUSING SERIOUS PERSONAL INJURY OR DAMAGE TO EQUIPMENT! Using screws of improper size may damage your display! Proper screws will easily and completely thread into display mounting holes.



CAUTION: IMPROPER INSTALLATION CAN LEAD TO DISPLAY FALLING CAUSING SERIOUS PERSONAL INJURY OR DAMAGE TO EQUIPMENT! Inadequate thread engagement in display may cause display to fall! Back out screws **ONLY** as necessary to allow installation of Centris cup!

1. Ensure Centris cup is able to swivel and tilt easily, yet still be tight enough to hold display in desired position. Adjust as required before proceeding. See **Adjustment** section for details.

2. Carefully install two M4 x 12mm Phillips head cap screws (E) into the *upper* mounting holes on the display. Thread screws completely into display, then back out 3 complete turns.
3. Align two screws (E) with the two top teardrop mounting holes on the Centris cup and lower Centris cup onto installed screws. (See Figure 2)



CAUTION: IMPROPER INSTALLATION CAN LEAD TO DISPLAY FALLING CAUSING SERIOUS PERSONAL INJURY OR DAMAGE TO EQUIPMENT! Smaller area of teardrop mounting holes must be facing downward for proper installation. Reposition Centris cup if required.

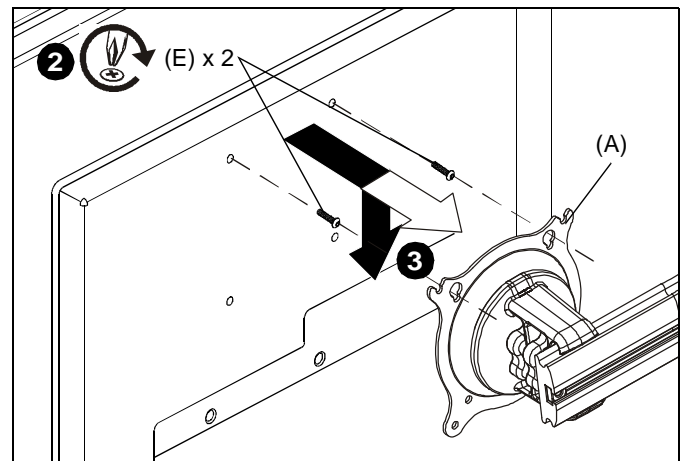


Figure 2

4. Install two M4 x 12mm Phillips head cap screws (E) through the *lower* mounting holes in Centris cup into the display. (See Figure 3)
5. Tighten all screws. Do not over tighten!

NOTE: Repeat previous steps for the additional display.

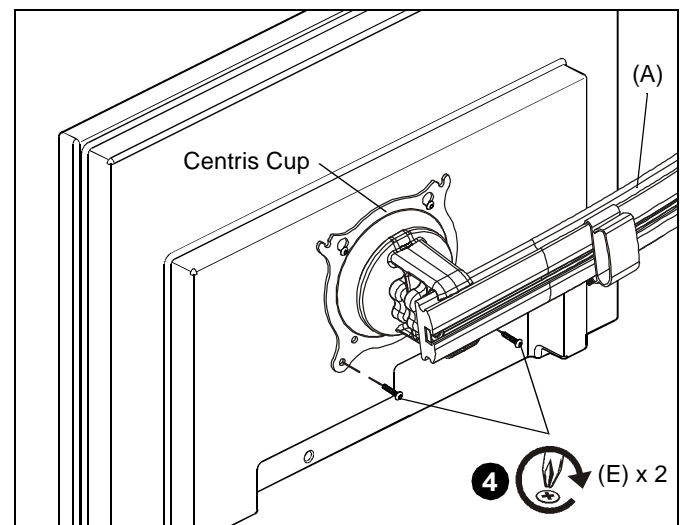


Figure 3

6. Proceed to **Cable Management** section.

Recessed Display Installation

1. Uninstall end lock from dual array assembly (A) using the 5/32" hex key (J). (See Figure 4)

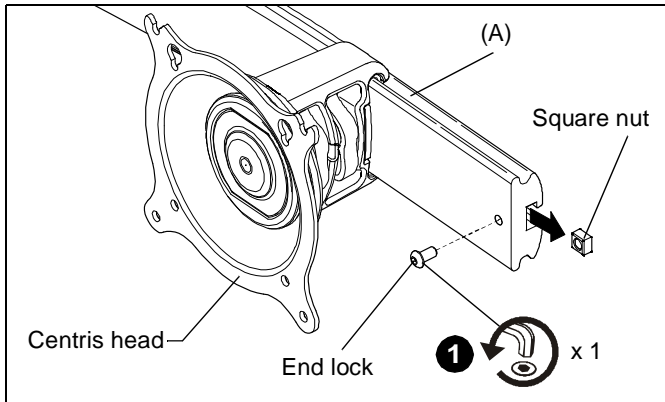


Figure 4

2. Remove Centris head from array rail. (See Figure 5)

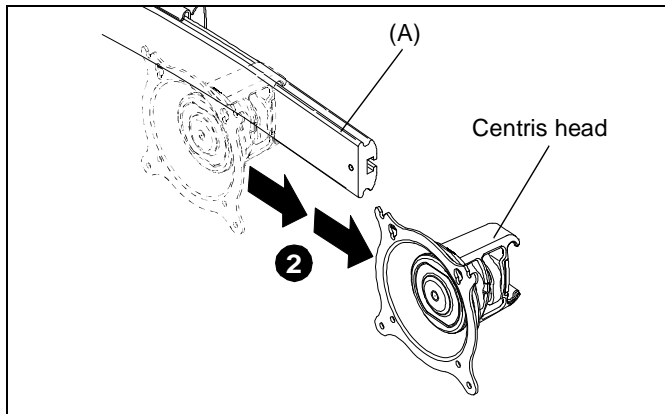


Figure 5

3. Carefully place display face down on a clean and dry surface.
4. Determine depth of recessed mounting holes relative to back surface of display.
5. Select proper length spacer and screw from table below:

IMPORTANT ! : All spacers used should be the same length. If the recess depths result in multiple spacer lengths, then select the longer spacer.

| IF recess DEPTH is: | THEN use spacer: | AND screw: |
|---|------------------|---------------|
| 3/8" or less | F (3/8" long) | D (M4 x 20mm) |
| More than 3/8" up to and including 3/4" | G (3/4" long) | C (M4 x 30mm) |

6. Place the four spacers (F or G) over each mounting hole on the back of display. (See Figure 6)
7. Orient mount so that mounting holes in the Centris cup are aligned with the holes in the spacers (F or G); rotate the Centris cup as required (See Figure 6).



CAUTION: IMPROPER INSTALLATION CAN LEAD TO DISPLAY FALLING CAUSING SERIOUS PERSONAL INJURY OR DAMAGE TO EQUIPMENT! Using screws of improper size may damage your display! Proper screws will easily and completely thread into display mounting holes.

8. Install four M4 x 20mm (D) or four M4 x 30mm (C) Phillips head cap screws through the mounting holes in Centris cup, through the spacers (F or G), and into display (See Figure 6).
9. Tighten all four screws. Do not overtighten!

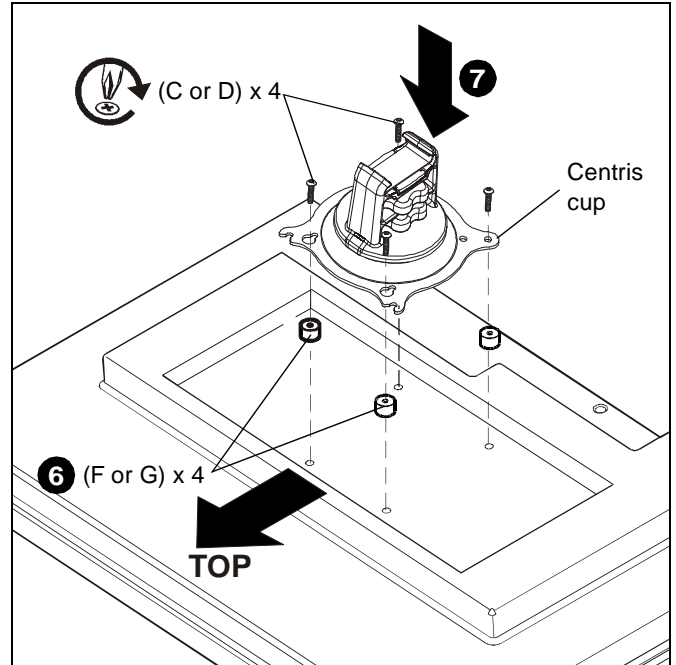


Figure 6

10. Slide display with Centris bracket onto array rail. (See Figure 7)

NOTE: Repeat previous steps for the additional display.

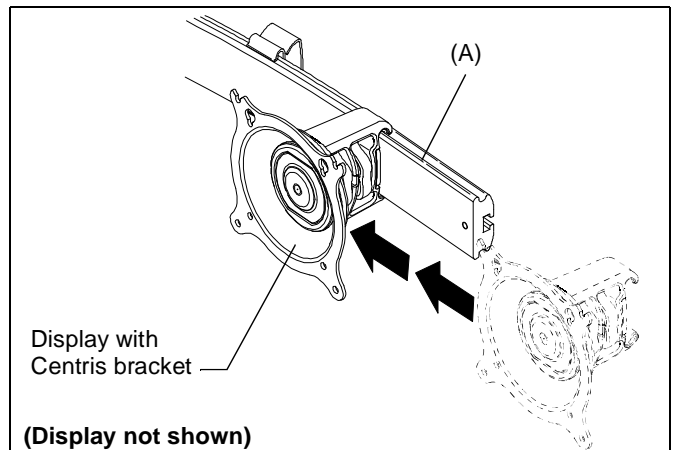


Figure 7

11. Reinstall end lock(s) into mounting rail using the 5/32" hex key (J). (See Figure 8)

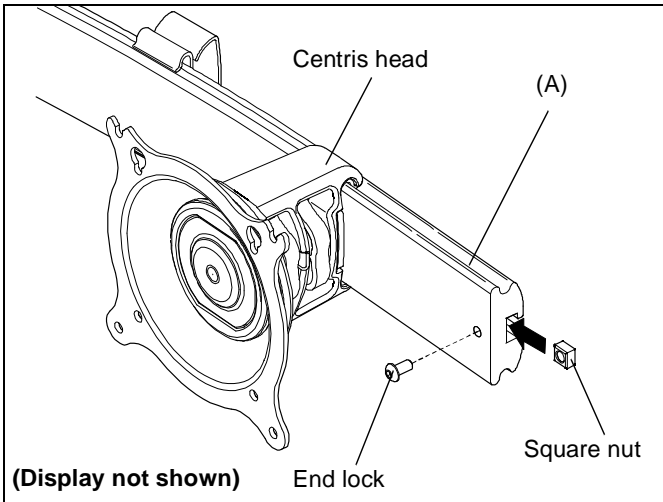


Figure 8

CABLE MANAGEMENT

1. Attach all cables to display.
2. Route cables through cable clips on array assembly (A). (See Figure 9)
3. Route cables down cart/stand column and away from mount following instructions included with the cart/stand column.

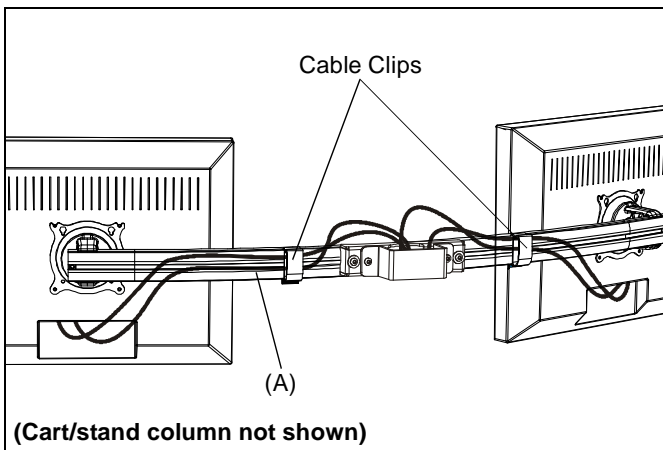


Figure 9

ADJUSTMENTS

Display Adjustment

Horizontal position

1. Using your fingers, slightly loosen horizontal adjustment knob. (See Figure 10)
2. Slide display along array to desired position.

3. Using your fingers, tighten horizontal adjustment knob. (See Figure 10)

Pitch / Yaw / Roll Tension

1. Using your fingers, slightly loosen tension knob. (See Figure 10)
2. Adjust display as desired.
3. Using your fingers, tighten tension knob.

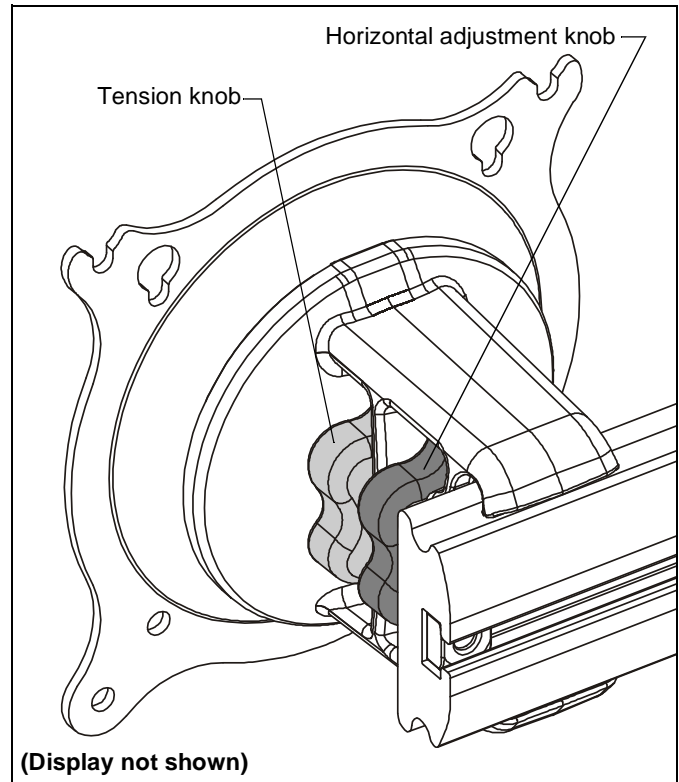


Figure 10

Cart/Stand Adjustment

Follow adjustment instructions included in the cart/stand installation instructions.



Our Mounts. **Your Vision.**

Chief, a products division of
Milestone AV Technologies

8800-002933 Rev00
©2016 Milestone AV Technologies
www.milestone.com
12/16

| | |
|--------------------------|--|
| USA/International | A 6436 City West Parkway, Eden Prairie, MN 55344 P 800.582.6480 / 952.225.6000 F 877.894.6918 / 952.894.6918 |
| Europe | A Franklinstraat 14, 6003 DK Weert, Netherlands P +31 (0) 495 580 852 F +31 (0) 495 580 845 |
| Asia Pacific | A Office No. 918 on 9/F, Shatin Galleria 18-24 Shan Mei Street Fotan, Shatin, Hong Kong P 852 2145 4099 F 852 2145 4477 |

