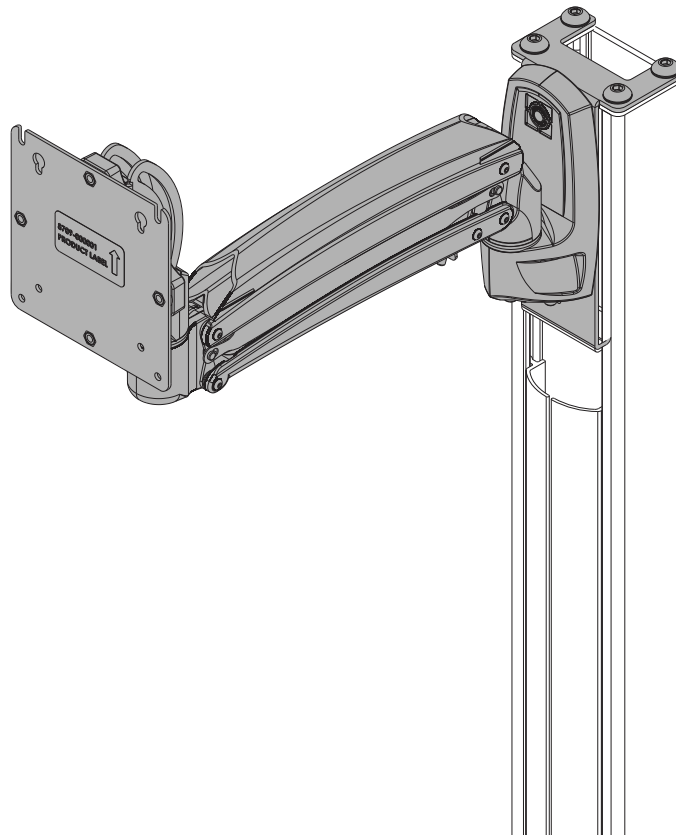

INSTALLATION INSTRUCTIONS



Music Stand Height Adjust Single Monitor

DISCLAIMER

Milestone AV Technologies and its affiliated corporations and subsidiaries (collectively "Milestone"), intend to make this manual accurate and complete. However, Milestone makes no claim that the information contained herein covers all details, conditions or variations, nor does it provide for every possible contingency in connection with the installation or use of this product. The information contained in this document is subject to change without notice or obligation of any kind. Milestone makes no representation of warranty, expressed or implied, regarding the information contained herein. Milestone assumes no responsibility for accuracy, completeness or sufficiency of the information contained in this document.

Chief® and Centris® are registered trademarks of Milestone AV Technologies. All rights reserved.

DEFINITIONS

MOUNTING SYSTEM: A MOUNTING SYSTEM is the primary Chief product to which an accessory and/or component is attached.

ACCESSORY: AN ACCESSORY is the secondary Chief product which is attached to a primary Chief product, and may have a component attached or setting on it.

COMPONENT: A COMPONENT is an audiovisual item designed to be attached or resting on an accessory or mounting system such as a video camera, CPU, screen, display, projector, etc.

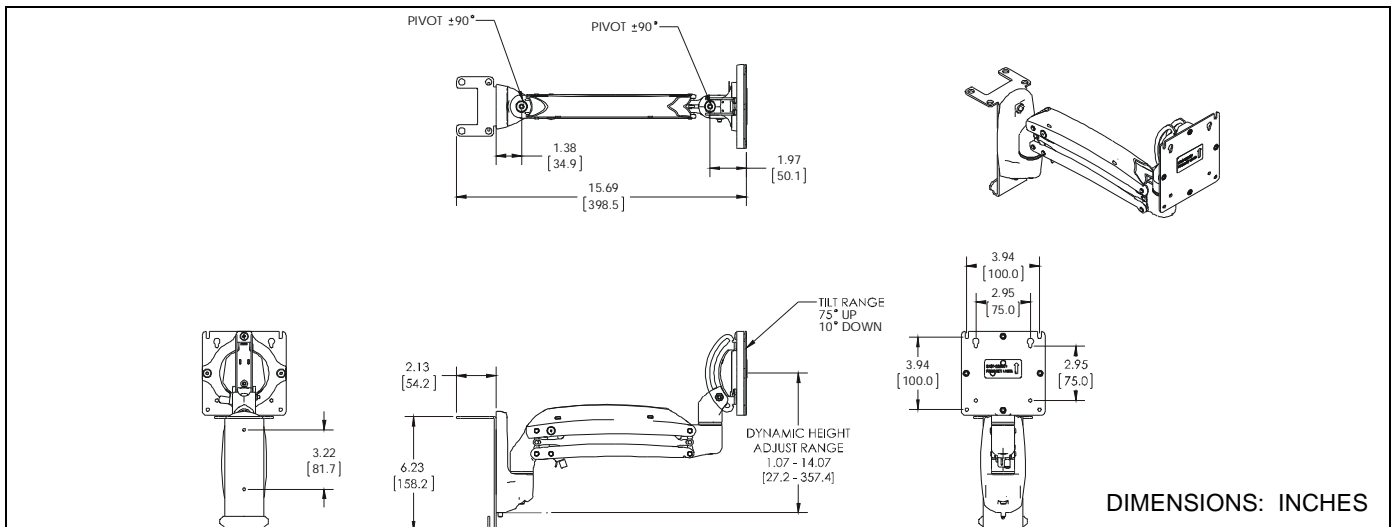
WARNING: A WARNING alerts you to the possibility of serious injury or death if you do not follow the instructions.

CAUTION: A CAUTION alerts you to the possibility of damage or destruction of equipment if you do not follow the corresponding instructions.

IMPORTANT SAFETY INSTRUCTIONS

WARNING: Failure to read, thoroughly understand, and

DIMENSIONS



DIMENSIONS: INCHES

follow all instructions can result in serious personal injury, damage to equipment, or voiding of factory warranty! It is the installer's responsibility to make sure all components are properly assembled and installed using the instructions provided.

WARNING: Failure to provide adequate structural strength for this component can result in serious personal injury or damage to equipment! It is the installer's responsibility to make sure the structure to which this component is attached can support five times the combined weight of all equipment. Reinforce the structure as required before installing the component.

WARNING: Exceeding the weight capacity can result in serious personal injury or damage to equipment! It is the installer's responsibility to make sure the combined weight of all components attached to the QMP2MM1 up to (and including) the display does not exceed 25 lbs (11.3 kg). Use with products heavier than the maximum weight indicated may result in collapse of the mount and its accessories causing possible injury.

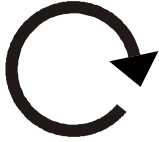

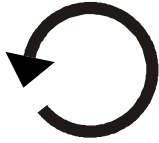

WARNING: Use this mounting system only for its intended use as described in these instructions. Do not use attachments not recommended by the manufacturer.

WARNING: Never operate this mounting system if it is damaged. Return the mounting system to a service center for examination and repair.

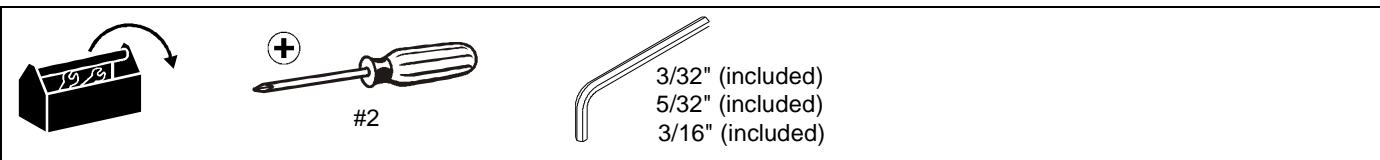
WARNING: Do not use this product outdoors.

--SAVE THESE INSTRUCTIONS--

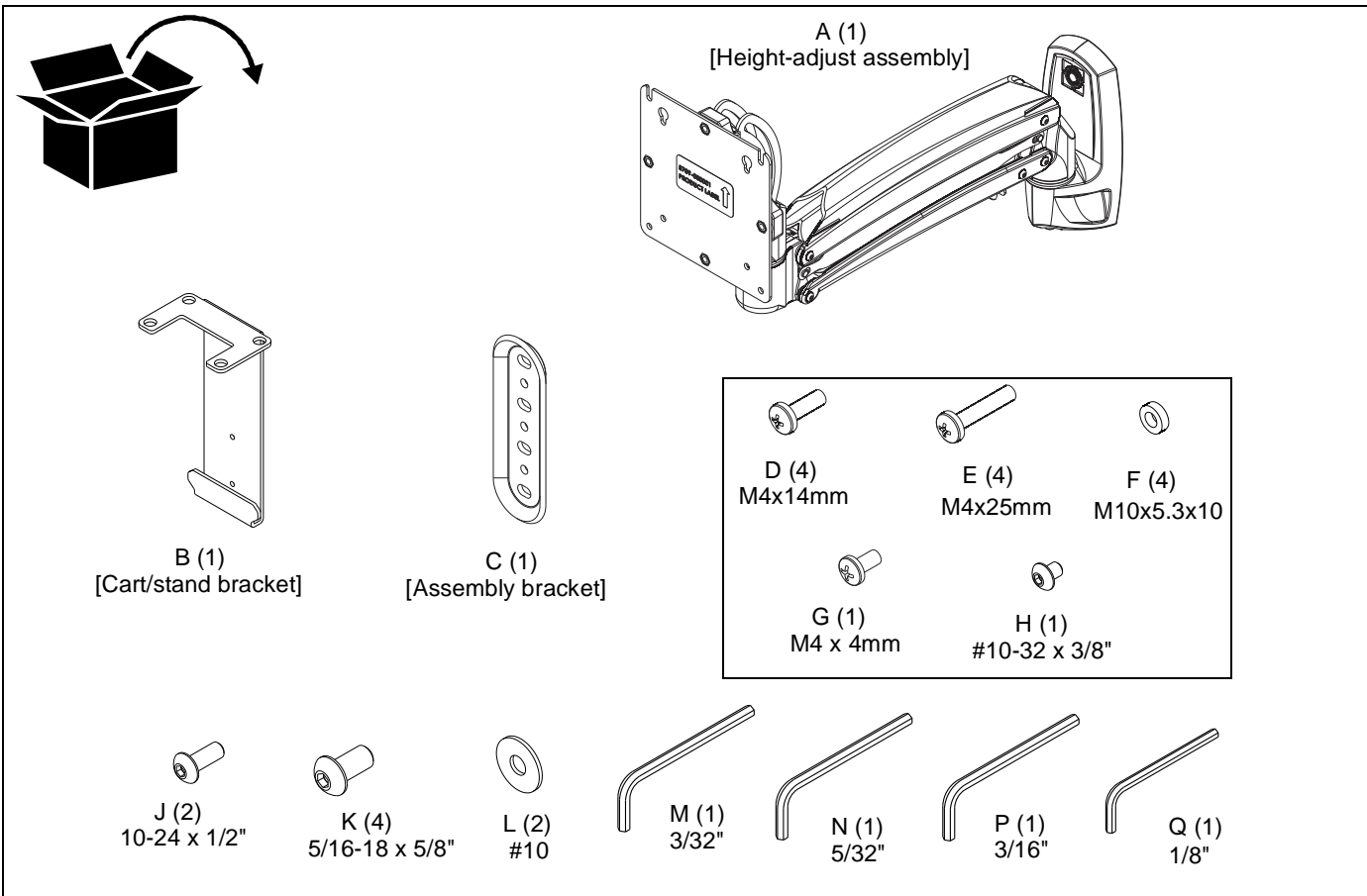
LEGEND

	Tighten Fastener		Phillips Screwdriver
	Apretar elemento de fijación		Destornillador Phillips
	Befestigungsteil festziehen		Kreuzschlitzschraubendreher
	Apertar fixador		Chave de fendas Phillips
	Serrare il fissaggio		Cacciavite a stella
	Bevestiging vastdraaien		Kruiskopschroevendraaier
Serrez les fixations	Tournevis à pointe cruciforme		
	Loosen Fastener		Hex-Head Wrench
	Aflojar elemento de fijación		Llave de cabeza hexagonal
	Befestigungsteil lösen		Sechskantschlüssel
	Desapertar fixador		Chave de cabeça sextavada
	Allentare il fissaggio		Chiave esagonale
	Bevestiging losdraaien		Zeskantsleutel
Desserrez les fixations	Clé à tête hexagonale		

TOOLS REQUIRED FOR INSTALLATION



PARTS



ASSEMBLY

The QMP2MM1 is designed to be attached to Chief carts and stands.

1. Slide cart/stand bracket (B) onto cart/stand column (not included), ensuring that cart/stand bracket tab slides into the front of cart/stand column. (See Figure 1)
2. Fasten the bracket to the cart/stand using four 5/16-18 x 5/8" button head cap screws (K). (See Figure 1)

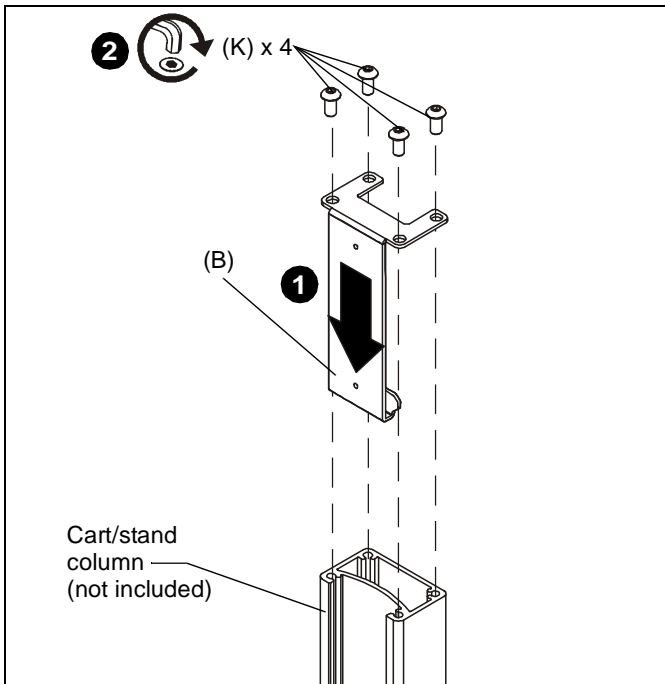


Figure 1

3. Attach assembly bracket (C) to cart/stand bracket (B) using two 10-24 x 1/2" button head cap screws (J) and two #10 flat washers (L) through the top two holes in the assembly bracket. (See Figure 2)

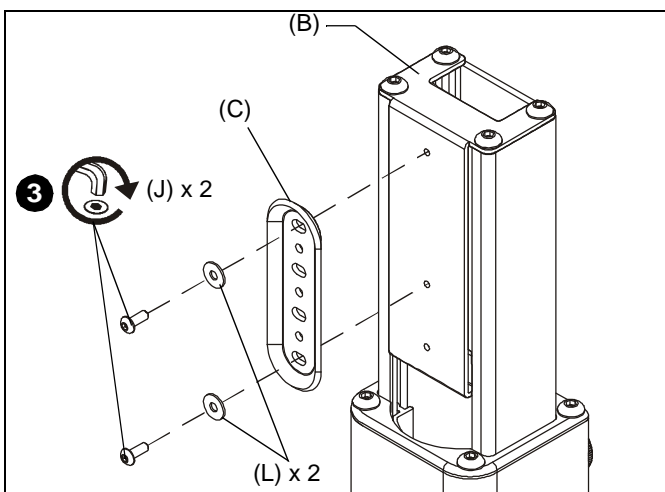


Figure 2

IMPORTANT ! : If the display being installed has a recessed mounting surface, the display must be assembled to the mount prior to mount installation. See **Display Installation** section before proceeding.

4. Insert top of height-adjust assembly (A) over lip on top of assembly bracket (C). (See Figure 3)

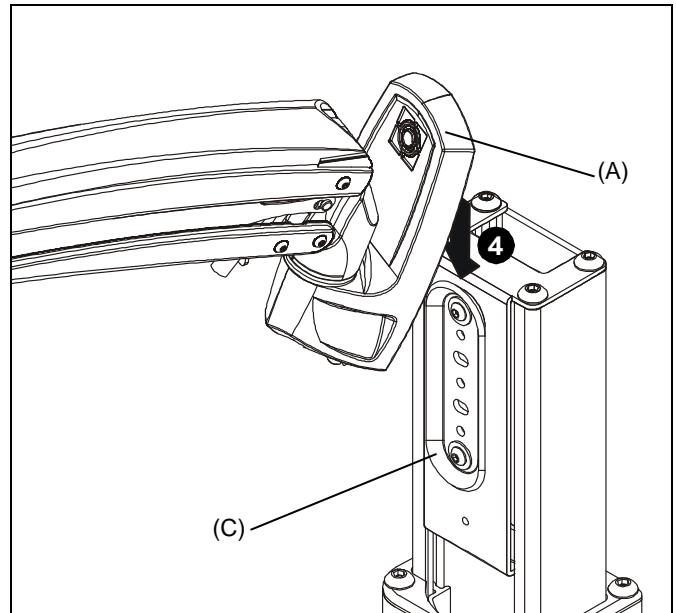


Figure 3

5. Swing height-adjust assembly (A) down flush against assembly bracket (C). (See Figure 4)

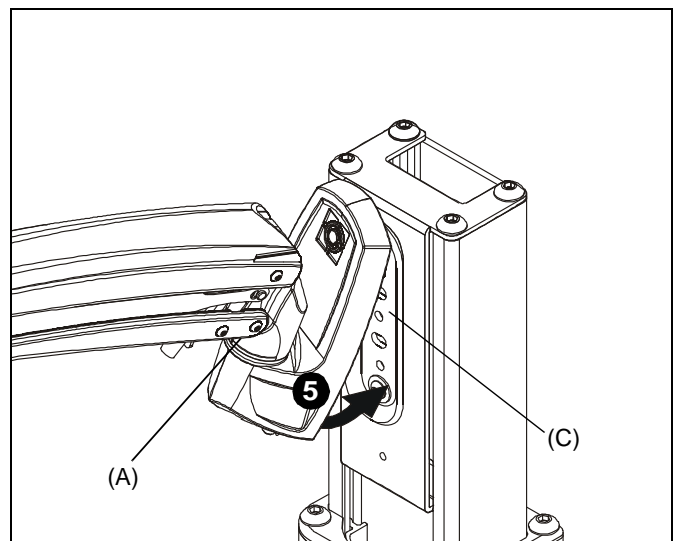


Figure 4

- Tighten set screw using 5/32" hex key (N). (See Figure 5)



CAUTION: IMPROPER INSTALLATION CAN LEAD TO DISPLAY FALLING CAUSING SERIOUS PERSONAL INJURY OR DAMAGE TO EQUIPMENT! Make sure set screw engages back side of assembly bracket on cart/stand column. (See Figure 5)

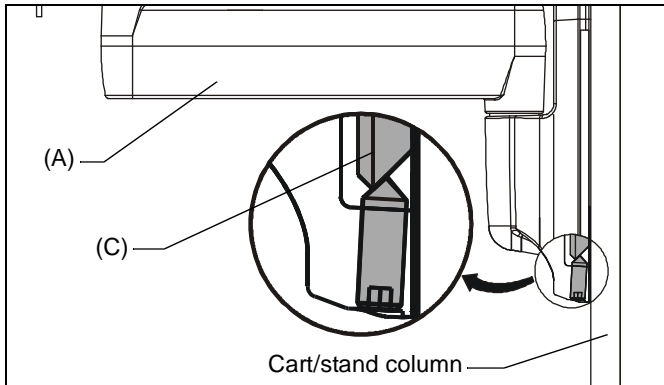


Figure 5

DISPLAY INSTALLATION

Display Installation

- Remove quick release faceplate from mount by pulling quick release lever and sliding faceplate off mount. (See Figure 6)

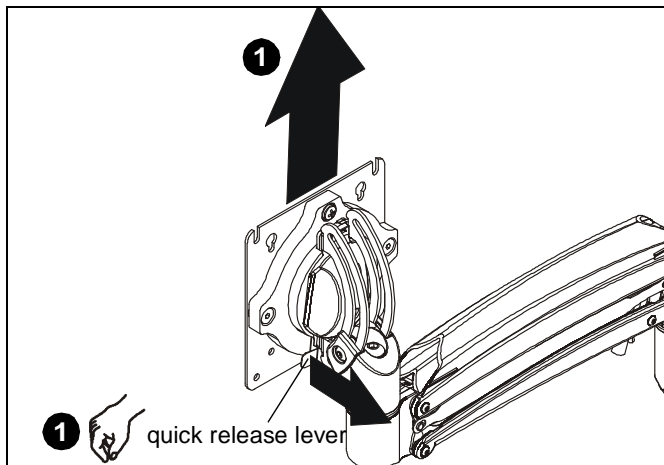


Figure 6

- Carefully place display face down on protective surface.
- Connect faceplate to display

For flush mounting hole installation:

- Using Phillips screwdriver, carefully install four M4x14mm screws (D) through corresponding holes on faceplate and into the mounting holes on the display. (See Figure 7)

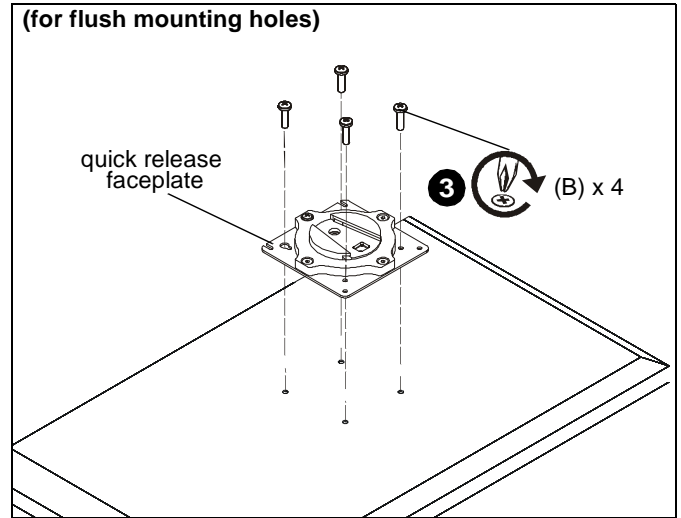


Figure 7

For recessed mounting hole installation:

- Place four spacers (F) on top of mounting holes on back of display. (See Figure 8)
- Using Phillips screwdriver, carefully install four M4x25mm screws (E) through corresponding holes on faceplate, spacers (F) and into the mounting holes on the display. (See Figure 8)

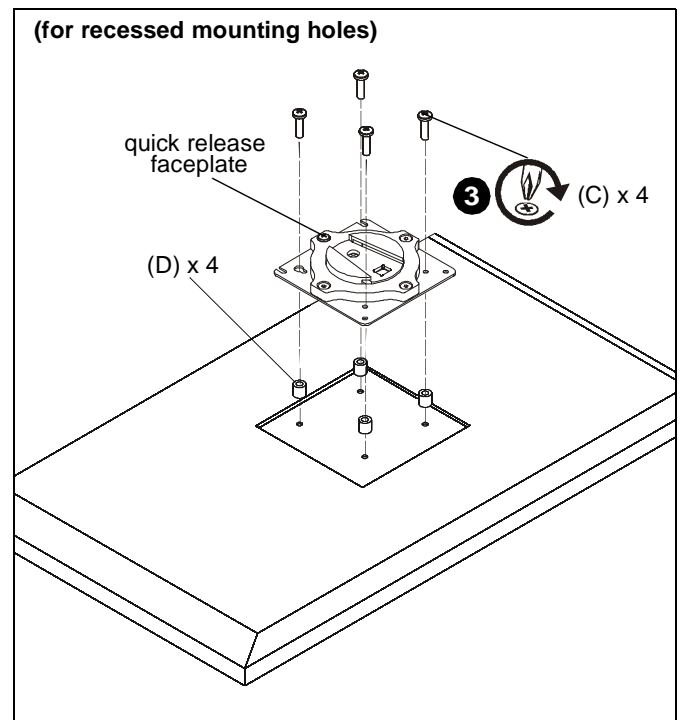


Figure 8

4. Position display with faceplate attached above mount. (See Figure 9)
5. Slide faceplate onto mounting head until quick release tab clicks into place. (See Figure 9)

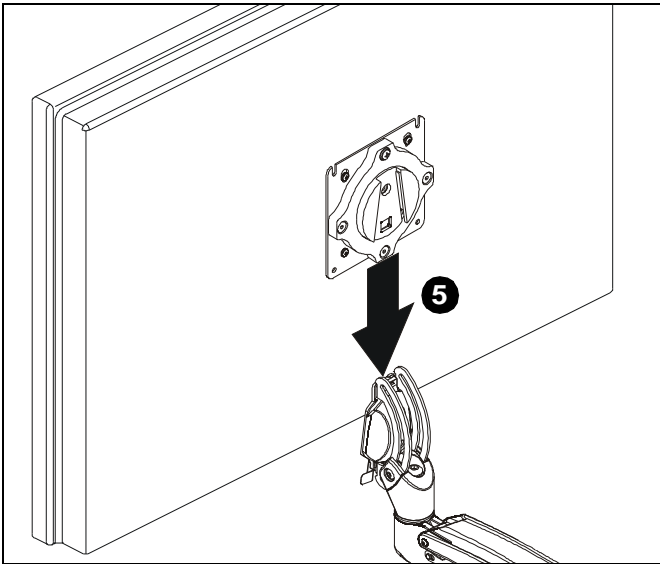


Figure 9

Adjustments

Pitch Adjustment (non-array models)

1. Adjust pitch to desired tilt position. (See Figure 10)
2. Adjust pitch tension screw to change the adjustment tension. (See Figure 10)

Pivot Adjustment (non-array models)

3. Adjust pivot position as desired. (See Figure 10)
4. Use 3/16" hex key (M) to adjust pivot point tension screws to change pivot adjustment tension. (See Figure 10)

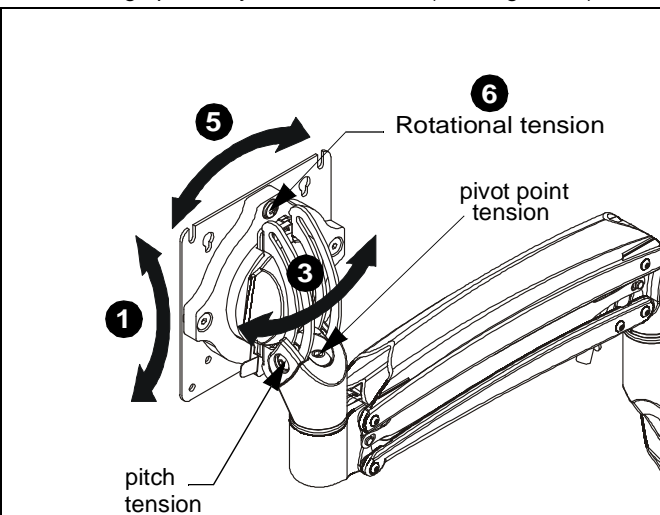


Figure 10

Rotational Adjustment

NOTE: (Optional) Rotational adjustment may be locked by installing rotational locking screw (H) into back of faceplate. (See Figure 11)

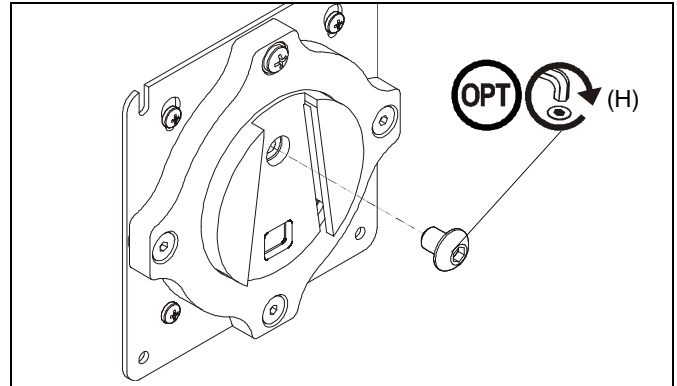


Figure 11

5. The monitor may be adjusted 90 degrees in either direction in order to provide a portrait view of the monitor. (See Figure 10)
6. Use 3/16" hex key (P) to adjust rotational adjustment screw to adjust rotational tension. (See Figure 10)

Lift Arm Tension Adjustment

1. Tension may be adjusted with tension adjustment screw inside cable management cover and 1/8" hex key (Q). Turn clockwise to reduce tension or counter-clockwise to increase tension. (See Figure 12)

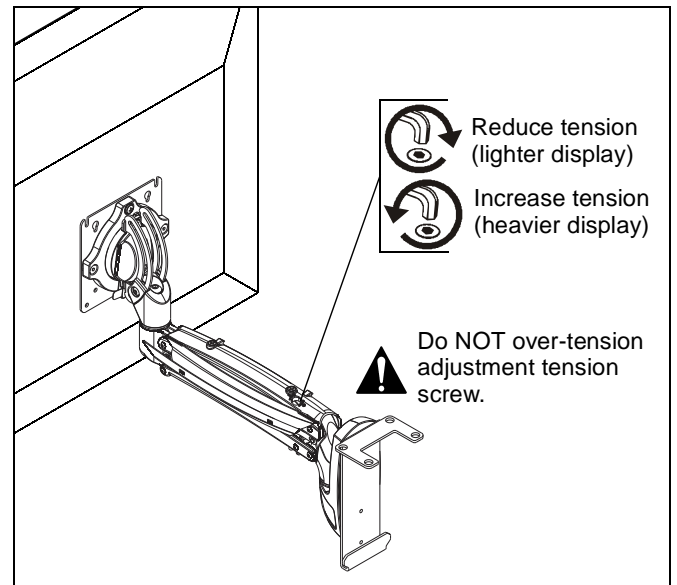


Figure 12

Display Removal



WARNING: Only remove display from mount when the display can be lifted up from the mount! DO NOT remove display unless the display is in the upright position! (See Figure 13)

1. Make sure display is in the upright position.
2. Remove quick release faceplate from mount by pulling quick release lever and sliding faceplate off mount. (See Figure 13)

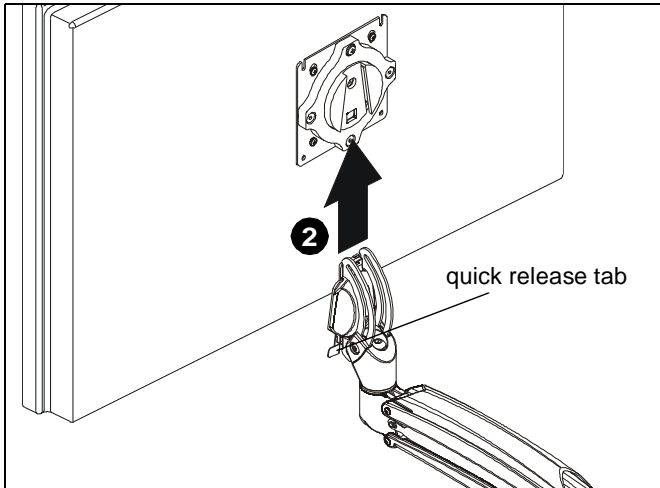


Figure 13

Display Removal Security Screw

NOTE: In order to prevent display from being easily removed from mount using the quick release lever, install M4x4mm security screw (H) into lower hole on back of faceplate. (See Figure 14)

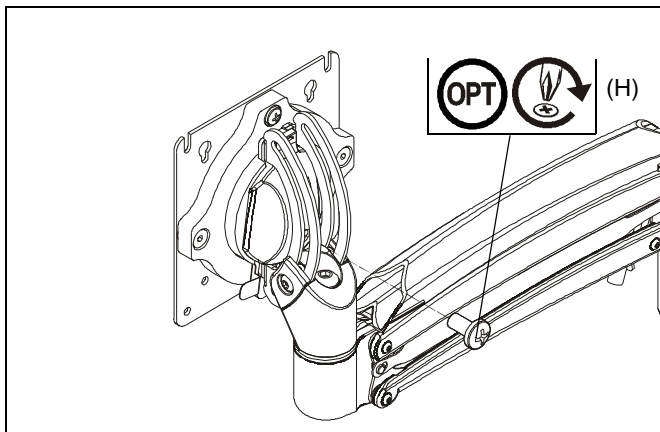


Figure 14

Cable Management

1. Press insides of cable management covers at both ends to unhinge tabs on either end of cable management cover on upper arm. (See Figure 15)
2. Lift cable management cover up until tabs are unhinged and cover is in the "open" position. (See Figure 15)

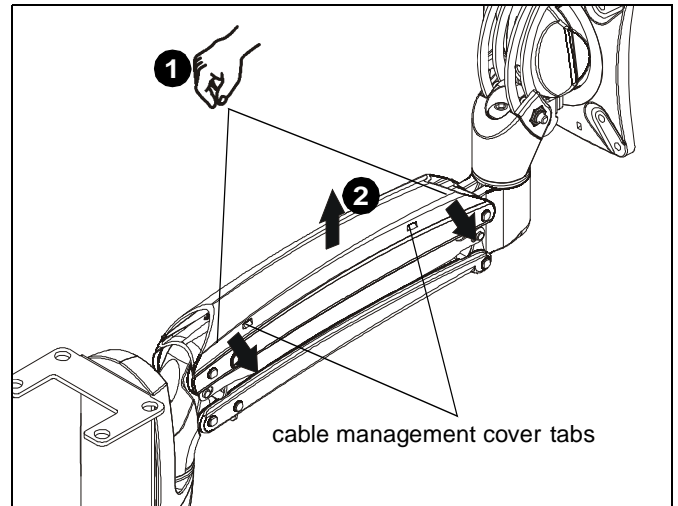


Figure 15

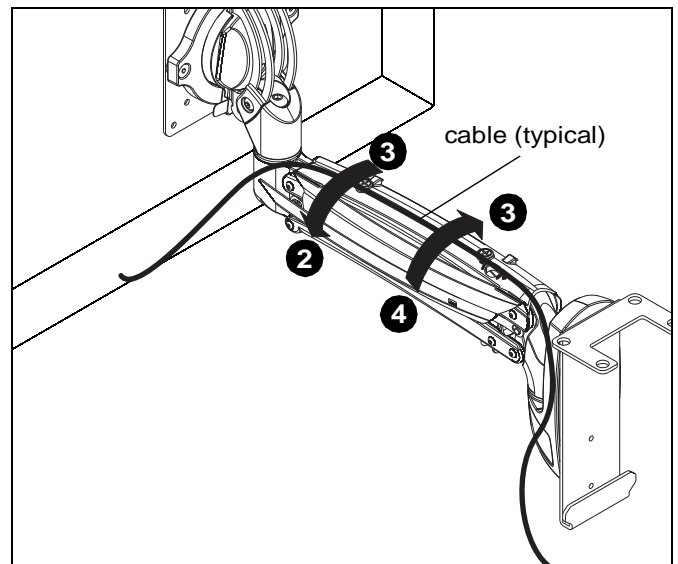


Figure 16

3. Route cables through cable management channels. (See Figure 16)

IMPORTANT ! : Be sure to leave enough slack in the cables near display and arm joint to allow for full arm articulation!

4. Close cable management covers on monitor arm. (See Figure 16)



Our Mounts. **Your Vision.**

Chief, a products division of
Milestone AV Technologies

8800-002772 Rev00
©2016 Milestone AV Technologies
www.milestone.com
11/16

USA/International	A 6436 City West Parkway, Eden Prairie, MN 55344 P 800.582.6480 / 952.225.6000 F 877.894.6918 / 952.894.6918
Europe	A Franklinstraat 14, 6003 DK Weert, Netherlands P +31 (0) 495 580 852 F +31 (0) 495 580 845
Asia Pacific	A Office No. 918 on 9/F, Shatin Galleria 18-24 Shan Mei Street Fotan, Shatin, Hong Kong P 852 2145 4099 F 852 2145 4477

