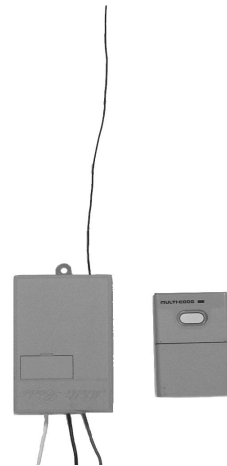

INSTRUCTION MANUAL

RC-10

The Model RC-10 is a radio frequency remote control that can be used to control Chief SmartLifts and CM2 models.



BEFORE YOU BEGIN

- **CAUTION:** To prevent damage to the ceiling lift, which could affect or void the factory warranty, thoroughly study all instructions and illustrations before you begin to install or operate the lift. Pay particular attention to the “Important Precautions”.
- If you have any questions concerning this installation, contact Chief Manufacturing at 1-800-582-6480.



Our Mounts. **Your Vision.**

Chief Manufacturing, a division of Milestone AV Technologies

8401 Eagle Creek Parkway, Savage, MN 55378

P: 800.582.6480 / 952.894.6280

F: 877.894.6918 / 952.894.6918

8820-00003 Rev. C

©2008 Milestone AV Technologies

www.chiefmfg.com

11/08

14 Pin Terminal Block Wiring (SmartLift 236 and 150 Only)

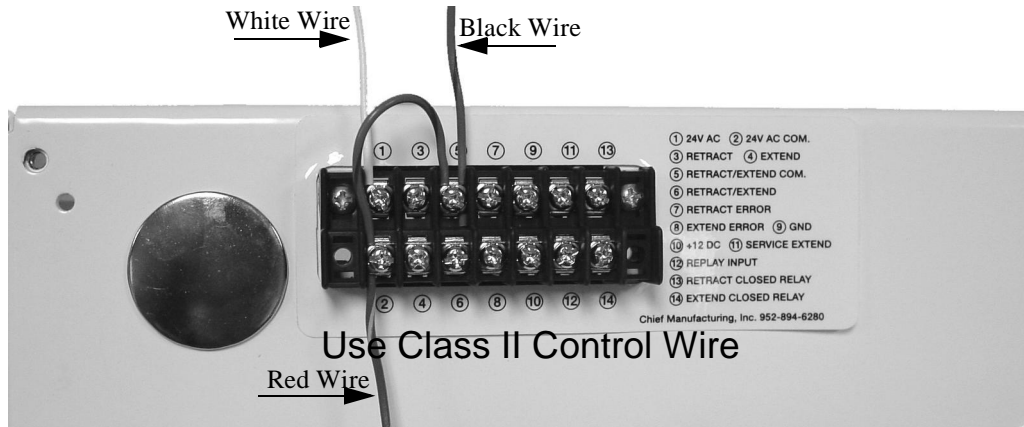


Figure 1. Remote Wiring Connections

Wire for 14 pin remote (RC-10) (Figure 1) operation as follows:

1. Install a jumper wire between terminals #1 and terminal #6 (see Figure 2).
2. Connect the white wire of the RC-10 controller unit to terminal #2.
3. Connect the red wire of the RC-10 controller unit to terminal #1.
4. Connect the black wire of the RC-10 controller unit to terminal #5.
5. Connect the power source to the lift.

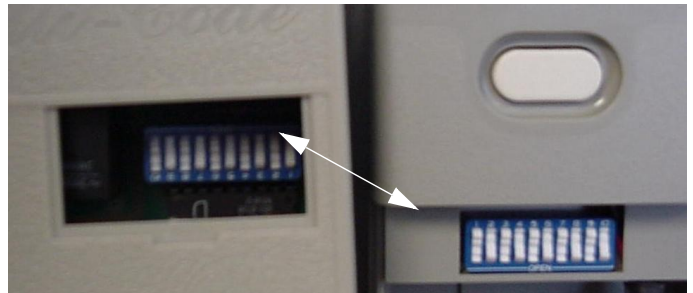


Figure 3. Dip Switches

NOTE: If the unit does not activate, check to make sure the 9 volt battery is working and make sure the dip switches in the sending unit match the dip switch settings in the controller unit (see Figure 3).

NOTE: Use Table 1 information for model wiring information.

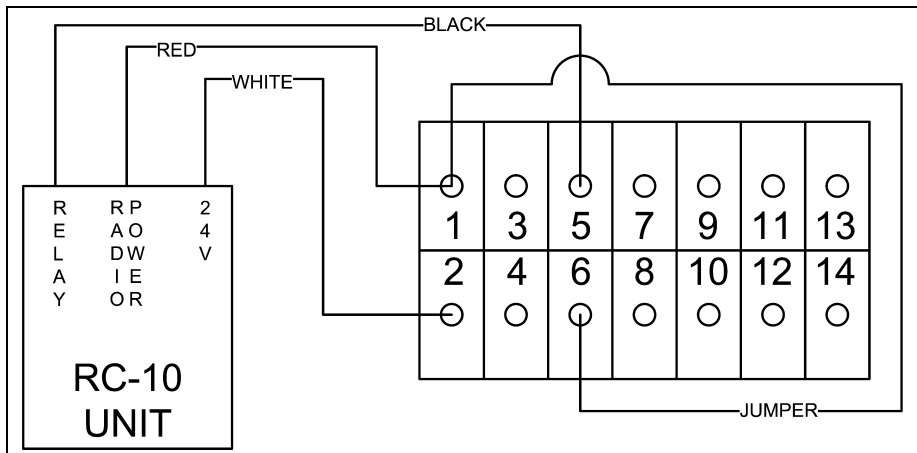


Figure 2. Connections

20 Pin Terminal Block Wiring (PUL/PCL Series Lifts and SL-150 or SL-236 Option)

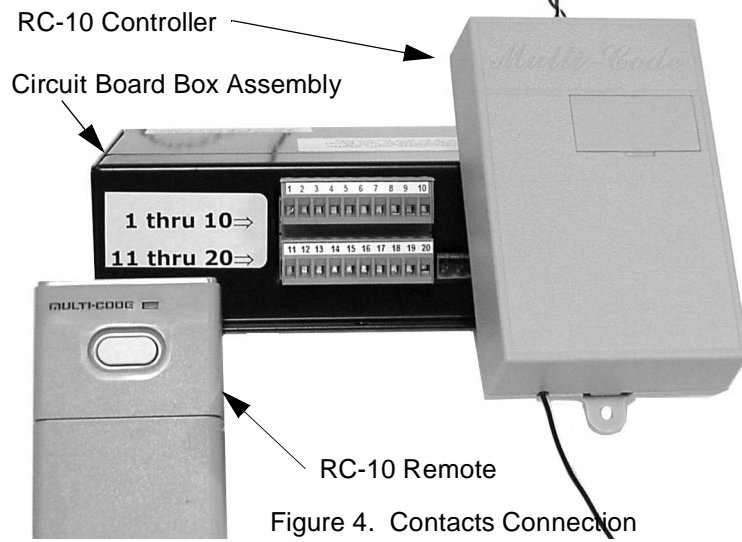


Figure 4. Contacts Connection

Wire for 20 pin remote (RC-10) operation as follows (see Figure 4):

1. Install a jumper wire between terminals #1 and terminal #5 (see Figure 5).
2. Connect the white wire of the RC-10 controller unit to terminal #2.
3. Connect the red wire of the RC-10 controller unit to terminal #1.
4. Connect the black wire of the RC-10 controller unit to terminal #6.
5. Connect the power source to the lift.

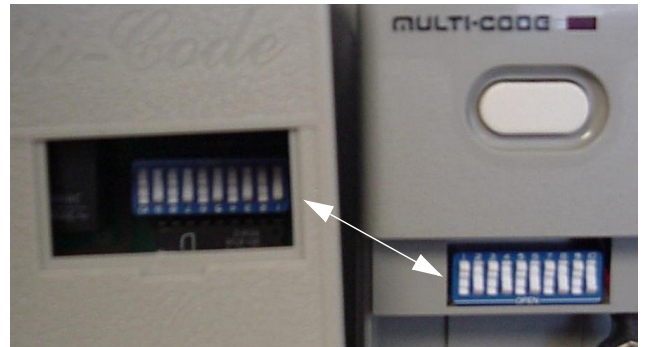


Figure 6. Dip Switches

NOTE: If the unit does not activate, check to make sure the 9 volt battery is working and make sure the dip switches in the sending unit match the dip switch settings in the controller unit (see Figure 6).

NOTE: Use Table 1 information for model wiring information.

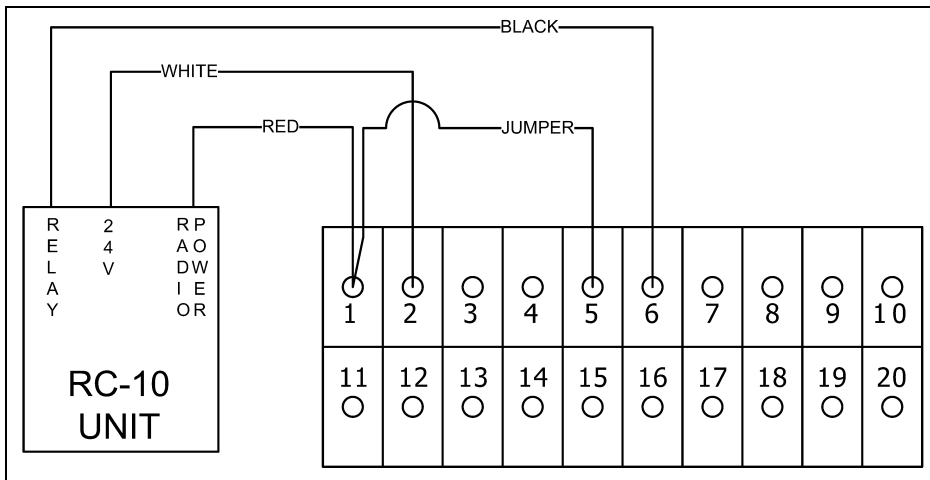


Figure 5. Contacts Connections

TABLE 1: Wiring Connections

Accessory/Product	SL-150 Internal	SL-150 External	SL-236 Internal	SL-236 External	PCL	PUL	CM2
Pushbutton (supplied)							
Red	1 (24V AC)	1 (24V AC)	1 (24V AC)	1 (24V AC)	1 (24V AC)	1 (24V AC)	
Black	5 (Extend/Retract)	6 (Extend/Retract)	5 (Extend/Retract)	6 (Extend/Retract)	5 (Extend/Retract)	5 (Extend/Retract)	
Other	Jumper 2 & 6	Jumper 2 & 5	Jumper 2 & 6	Jumper 2 & 5	Jumper 2 & 6	Jumper 2 & 6	
ASP-401							
Up	12 (retract)	3 (retract)	12 (retract)	3 (retract)	12 (retract)	12 (retract)	
Down	4 (extend)	4 (extend)	11 (extend)	4 (extend)	11 (extend)	11 (extend)	
Common	13 (ground)	9 (ground)	13 (ground)	9 (ground)	13 (ground)	13 (ground)	
12V Trigger (will actually work with 5-30V AC or DC)							
12V+	7 (trigger +)	Not Available	7 (trigger +)	Not Available	7 (trigger +)	7 (trigger +)	
Ground	8 (trigger -)	Not Available	8 (trigger -)	Not Available	8 (trigger -)	8 (trigger -)	
IR-10							
+12V	4 (12V DC)	10 (12V DC)	4 (12V DC)	10 (12V DC)	4 (12V DC)	4 (12V DC)	
GND	3 (ground)	9 (ground)	3 (ground)	9 (ground)	3 (ground)	3 (ground)	
C1	12 (retract)	3 (retract)	12 (retract)	3 (retract)	12 (retract)	11 (extend)	
C2	11 (extend)	4 (extend)	11 (extend)	4 (extend)	11 (extend)	12 (retract)	
C3	No Connection	No Connection	9 (service)	11 (service)	No Connection	No Connection	
COMM	13 (ground)	9 (ground)	13 (ground)	9 (ground)	13 (ground)	13 (ground)	
RC-10							
(radio power) - Red	1 (24V AC)	1 (24V AC)	1 (24V AC)	1 (24V AC)	1 (24V AC)	1 (24V AC)	J1-5
(relay) - Black	6 (Extend/Retract - Comm)	5 (Extend/Retract - Comm)	6 (Extend/Retract - Comm)	5 (Extend/Retract - Comm)	6 (Extend/Retract - Comm)	6 (Extend/Retract - Comm)	
(24V) - White	2 (24V AC - Comm)	2 (24V AC - Comm)	2 (24V AC - Comm)	2 (24V AC - Comm)	2 (24V AC - Comm)	2 (24V AC - Comm)	J1-2
Other	Jumper 1 & 5	Jumper 1 & 6	Jumper 1 & 5	Jumper 1 & 6	Jumper 1 & 5	Jumper 1 & 5	Jumper 1 & 5 on J1
Low Voltage Wall Switch or Relay Control							
Up	12 (retract)	3 (retract)	12 (retract)	3 (retract)	12 (retract)	12 (retract)	
Down	11 (extend)	4 (extend)	11 (extend)	4 (extend)	11 (extend)	11 (extend)	
Service	Not Available	Not Available	9 (service)	11 (service)	Not Available	Not Available	
Common	13 (ground)	9 (ground)	13 (ground)	9 (ground)	13 (ground)	13 (ground)	
Error Reversing (contact between error input and common indicates an error and unit reverses direction)							
Extend Error	14 (extend error)	8 (extend error)	14 (extend error)	8 (extend error)	14 (extend error)	14 (extend error)	
Retract Error	15 (retract error)	7 (retract error)	15 (retract error)	7 (retract error)	15 (retract error)	15 (retract error)	
Common	13 (ground)	9 (ground)	13 (ground)	9 (ground)	13 (ground)	13 (ground)	
Relay Contacts (relay closes when unit reaches end of travel)							
Extend Relay a	16 (extend relay in)	14 (extend relay in)	16 (extend relay in)	14 (extend relay in)	16 (extend relay in)	16 (extend relay in)	
Extend Relay b	17 (extend relay out)	12 (relay out common)	17 (extend relay out)	12 (relay out common)	17 (extend relay out)	17 (extend relay out)	
Retract Relay a	18 (retract relay in)	13 (retract relay in)	18 (retract relay in)	13 (retract relay in)	18 (retract relay in)	18 (retract relay in)	
Retract Relay b	19 (retract relay out)	12 (relay out common)	19 (retract relay out)	12 (relay out common)	19 (retract relay out)	19 (retract relay out)	

