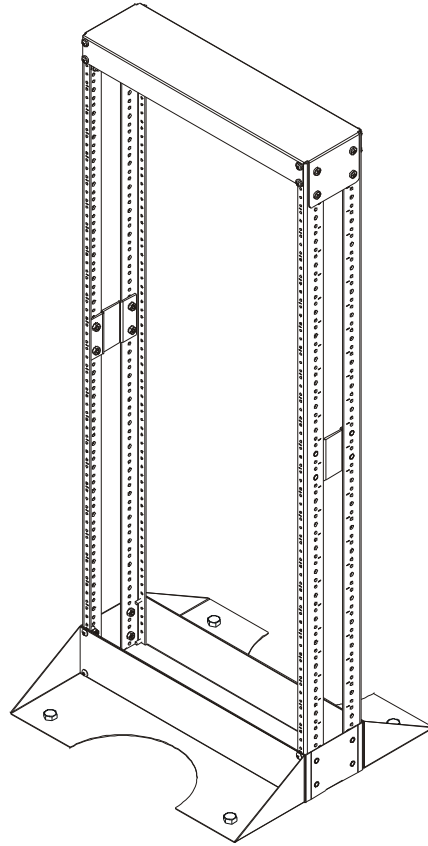

INSTALLATION INSTRUCTIONS



Relay Rack

DISCLAIMER

Milestone AV Technologies and its affiliated corporations and subsidiaries (collectively "Milestone"), intend to make this manual accurate and complete. However, Milestone makes no claim that the information contained herein covers all details, conditions or variations, nor does it provide for every possible contingency in connection with the installation or use of this product. The information contained in this document is subject to change without notice or obligation of any kind. Milestone makes no representation of warranty, expressed or implied, regarding the information contained herein. Milestone assumes no responsibility for accuracy, completeness or sufficiency of the information contained in this document.

Chief® is a registered trademark of Milestone AV Technologies. All rights reserved.

! IMPORTANT SAFETY INSTRUCTIONS

! WARNING: A WARNING alerts you to the possibility of serious injury or death if you do not follow the instructions.

! CAUTION: A CAUTION alerts you to the possibility of damage or destruction of equipment if you do not follow the corresponding instructions.

! WARNING: Failure to read, thoroughly understand, and follow all instructions can result in serious personal injury, damage to equipment, or voiding of factory warranty! It is the installer's responsibility to make sure all components are properly assembled and installed using the instructions provided.

! WARNING: Failure to provide adequate structural strength for this component can result in serious personal injury or damage to equipment! It is the installer's responsibility to make sure the structure to which this component is attached can support five times the combined weight of all equipment. Reinforce the structure as required before installing the component.

! WARNING: Exceeding the weight capacity can result in serious personal injury or damage to equipment! It is the installer's responsibility to make sure the combined weight of all components located within the rack does not exceed 150 lbs (68 kg). Use with products heavier than the maximum weight indicated may result in instability or collapse of the rack causing possible injury.

! WARNING: Failure to center components within rack may result in rack being unstable! Components need be installed with the center of gravity centered between the rails.

! WARNING: RFM Series racks MUST be mounted to the floor prior to use! Secure rack to floor prior to installing components to rack.




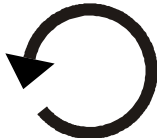
! WARNING: Use this mounting system only for its intended use as described in these instructions. Do not use attachments not recommended by the manufacturer.

! WARNING: Never operate this mounting system if it is damaged. Return the mounting system to a service center for examination and repair.

! WARNING: Do not use this product outdoors.

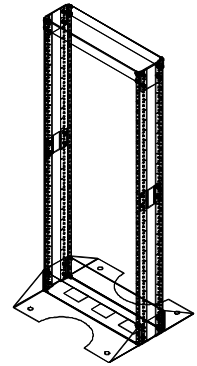
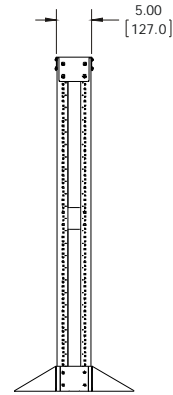
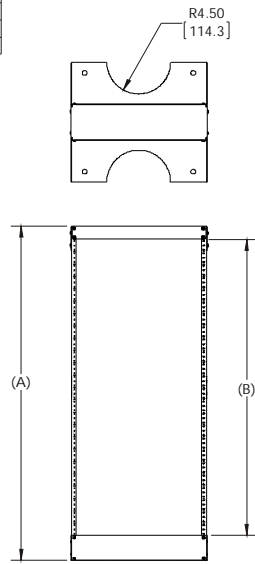
--SAVE THESE INSTRUCTIONS--

LEGEND

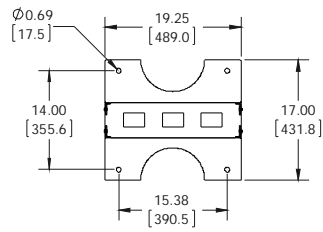
	Tighten Fastener		Phillips Screwdriver
	Apretar elemento de fijación		Destornillador Phillips
	Befestigungsteil festziehen		Kreuzschlitzschraubendreher
	Apertar fixador		Chave de fendas Phillips
	Serrare il fissaggio		Cacciavite a stella
	Bevestiging vastdraaien		Kruiskopschroevendraaier
Serrez les fixations	Tournevis à pointe cruciforme		Open-Ended Wrench
	Loosen Fastener		Llave de boca
	Aflojar elemento de fijación		Gabelschlüssel
	Befestigungsteil lösen		Chave de bocas
	Desapertar fixador		Chiave a punte aperte
	Allentare il fissaggio		Steeksleutel
	Bevestiging losdraaien	Clé à fourche	
Desserrez les fixations			

DIMENSIONS

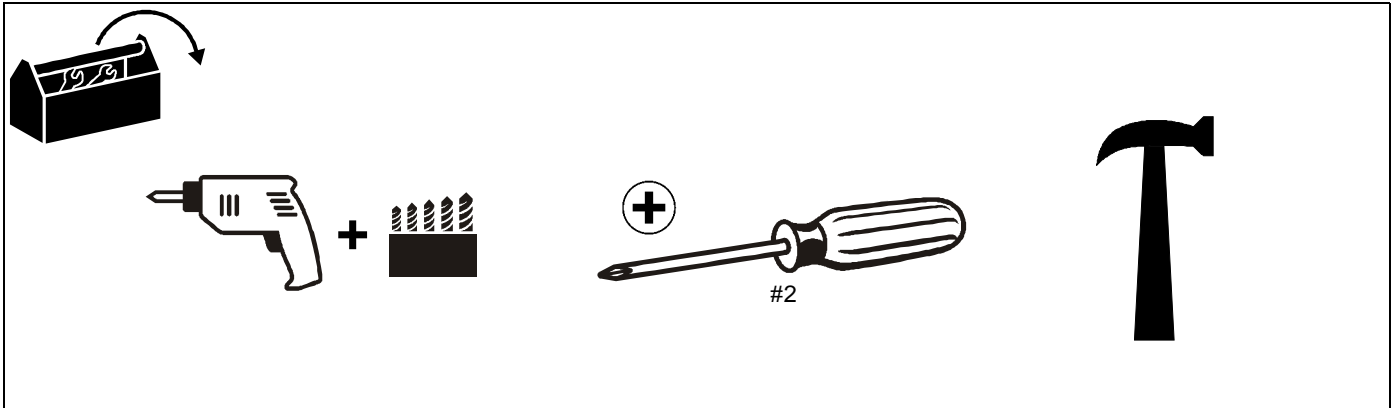
MODEL	DIMENSION (A)	DIMENSION (B)
RFM-24	47.36 [1203]	42.00 [1067]
RFM-35	66.61 [1692]	61.25 [1556]
RFM-42	78.86 [2003]	73.50 [1867]



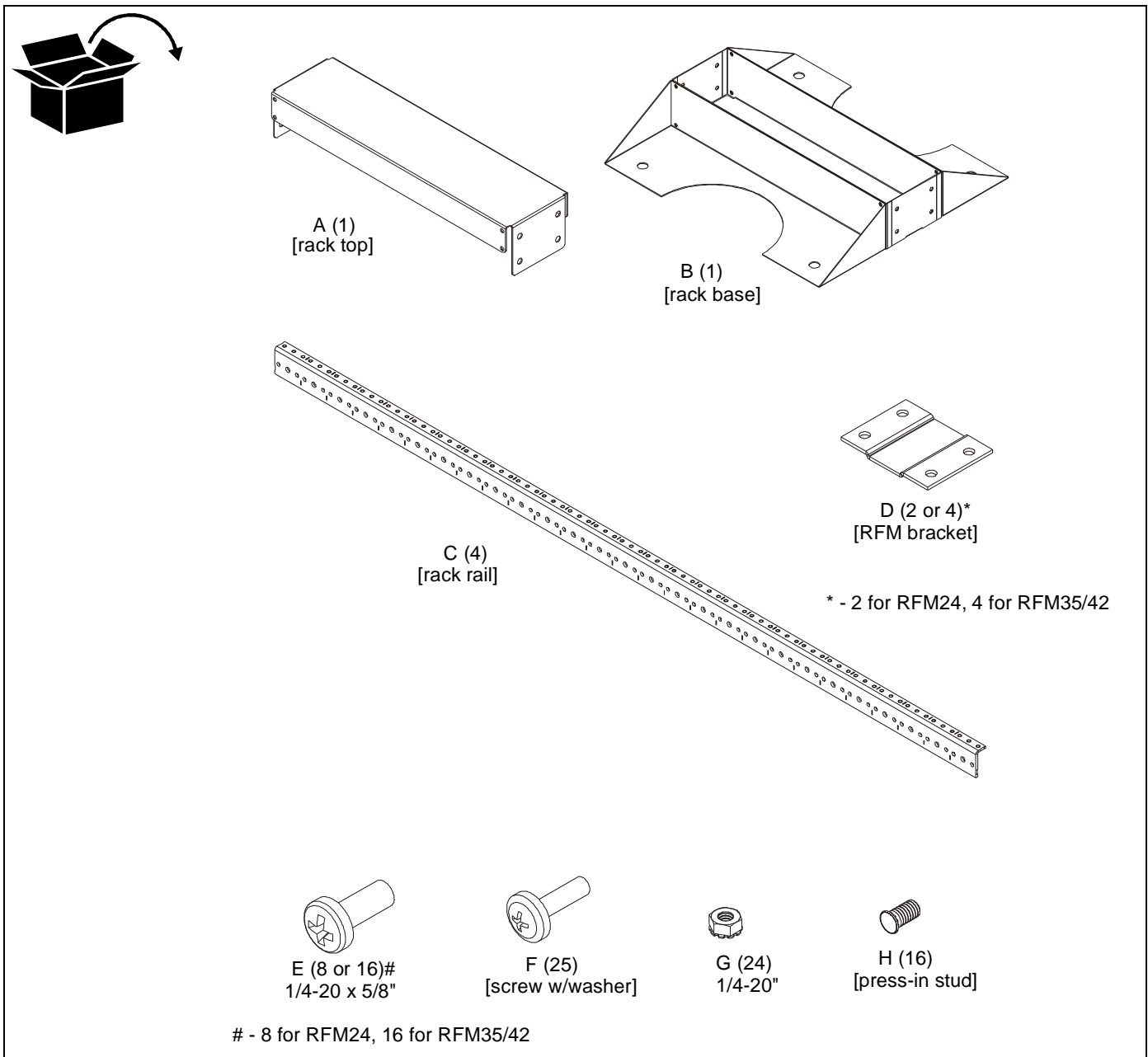
RFM-24 SHOWN



TOOLS REQUIRED FOR INSTALLATION



PARTS



ASSEMBLY

1. Use eight press-in studs (H) and 1/4-20" lock nuts (G) to secure four rack rails (C) to rack base (B). (See Figure 1)

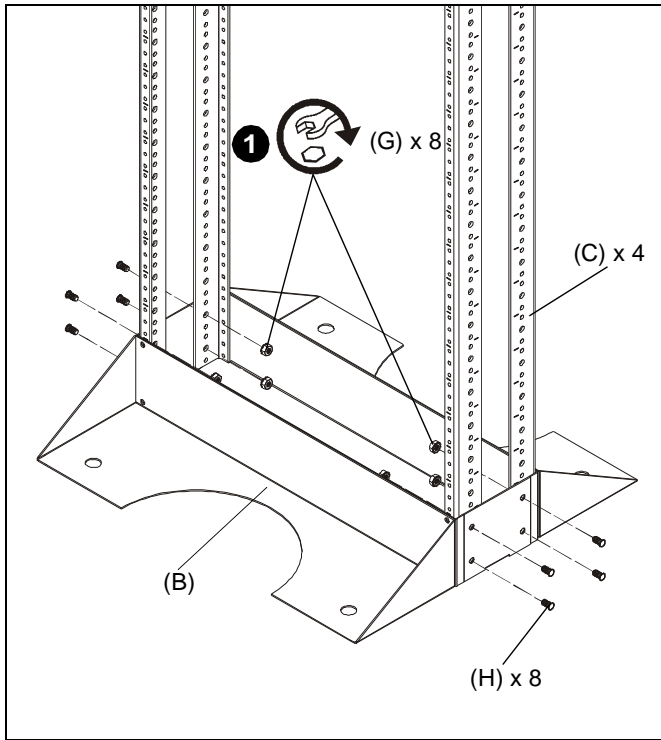


Figure 1

2. Use eight screws with washers (F) to fully secure four rack rails (C) to rack base (B). (See Figure 2)

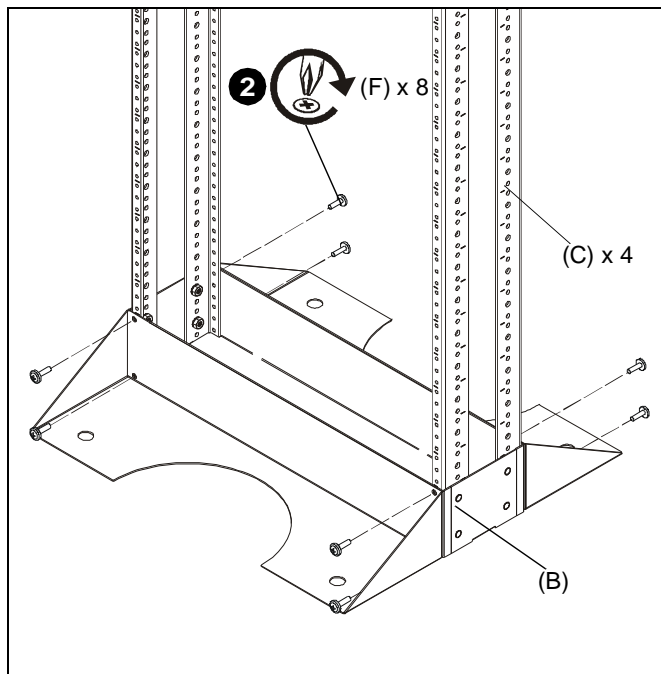


Figure 2

3. Use eight screws with washers (F) and eight 1/4-20" lock nuts (G) to secure four rack rails (C) to rack top (A). (See Figure 3)

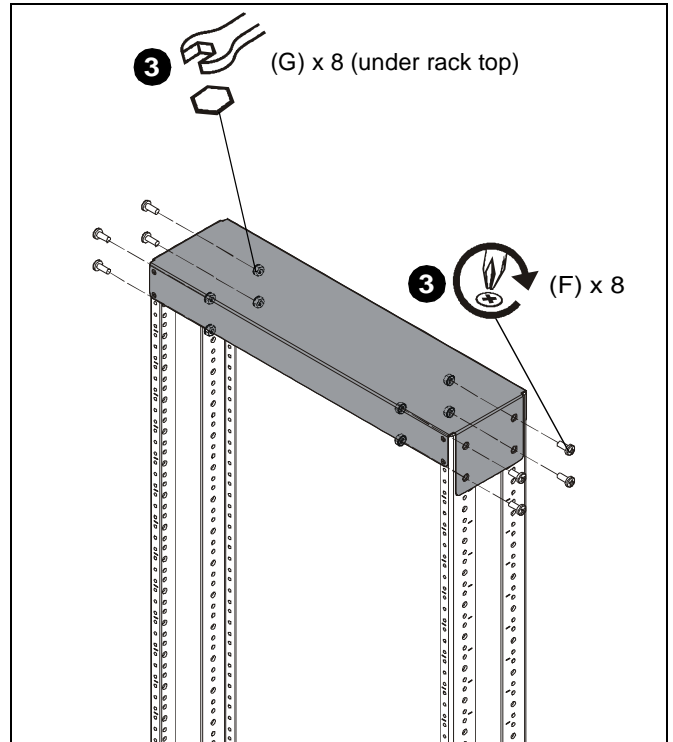


Figure 3

4. Use eight screws with washers (F) to fully secure four rack rails (C) to rack top (A). (See Figure 4)

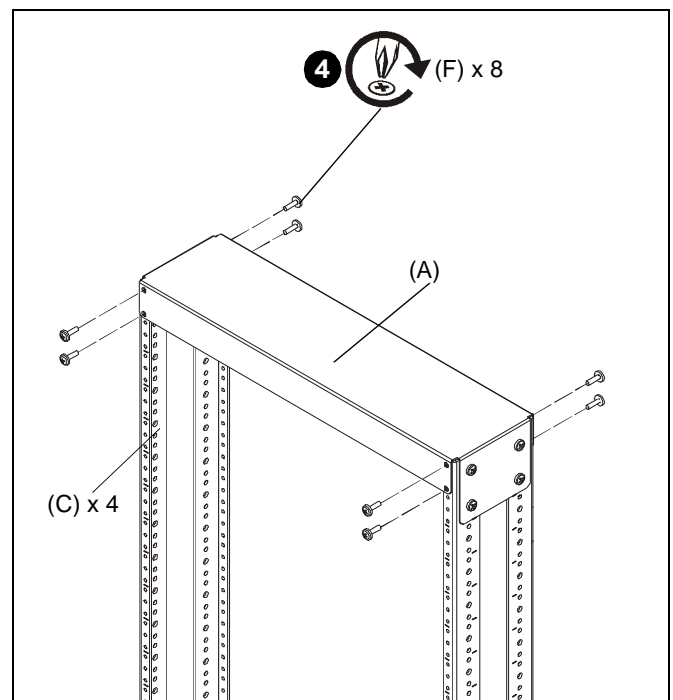


Figure 4

5. Use four press-in studs (H) and four 1/4-20" lock nuts (G) to secure each RFM bracket (D) to rack rails. (See Figure 5) and (See Figure 6)

NOTE: For maximum stability, RFM brackets should be installed approximately half way down rack rails for RFM-24. (See Figure 5) Attach brackets approximately one-third and two-thirds of the way down for the RFM-35 and RFM-42 models. (See Figure 6)

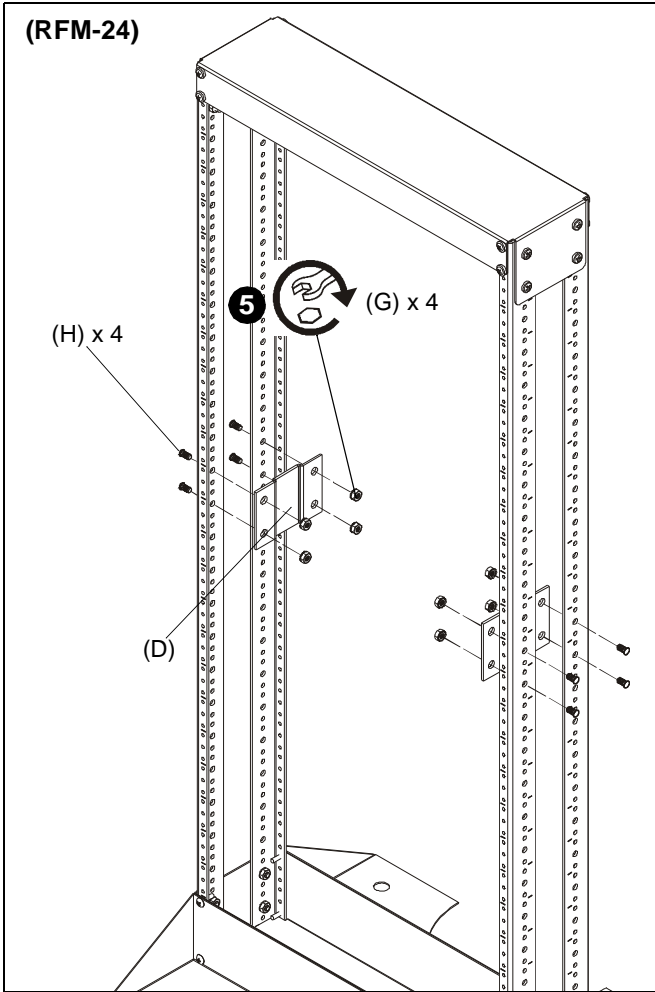


Figure 5

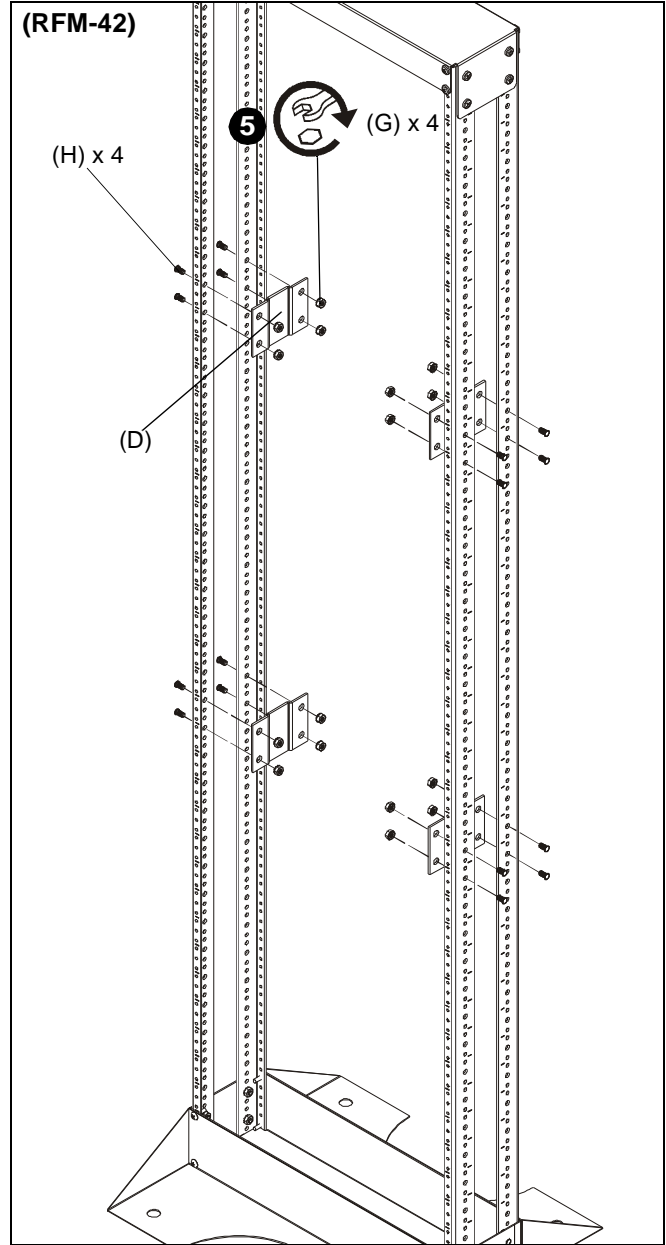


Figure 6

Mounting to Floor



WARNING: RFM Series racks **MUST** be mounted to the floor prior to use! Secure rack to floor prior to installing components to rack.

1. Mark and drill four holes at desired mounting location using the holes on rack bottom as a template. (See Figure 7)
2. Use four screws of proper size (not included) to mount RFM mount to floor at desired mounting location. (See Figure 7)

IMPORTANT ! : Type and size of hardware required may vary based on type of floor surface.

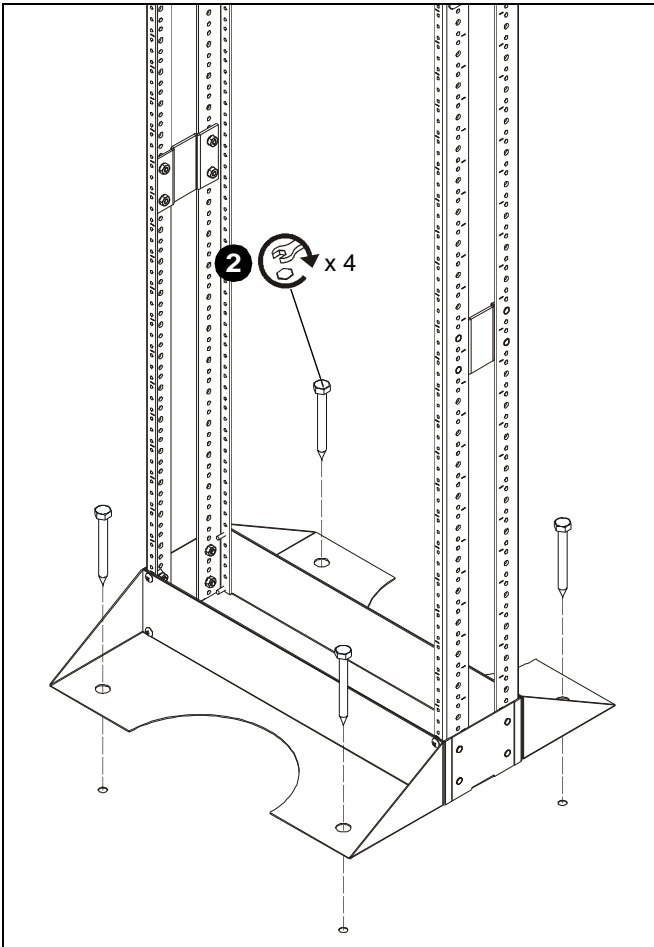


Figure 7



Our Mounts. **Your Vision.**

Chief Manufacturing, a products division
of Milestone AV Technologies

8800-002333 Rev00
©2013 Milestone AV Technologies, a
Duchossois Group Company
www.chiefmfg.com
04/13

USA/International	A 6436 City West Parkway, Eden Prairie, MN 55344 P 800.582.6480 / 952.225.6000 F 877.894.6918 / 952.894.6918
Europe	A Franklinstraat 14, 6003 DK Weert, Netherlands P +31 (0) 495 580 852 F +31 (0) 495 580 845
Asia Pacific	A Office No. 1 on 12/F, Shatin Galleria 18-24 Shan Mei Street Fotan, Shatin, Hong Kong P 852 2145 4099 F 852 2145 4477

