



## INSTALLATION INSTRUCTIONS

# LCD TV WALL MOUNT SINGLE Swing Arm (RFWS-110)

### WARNINGS

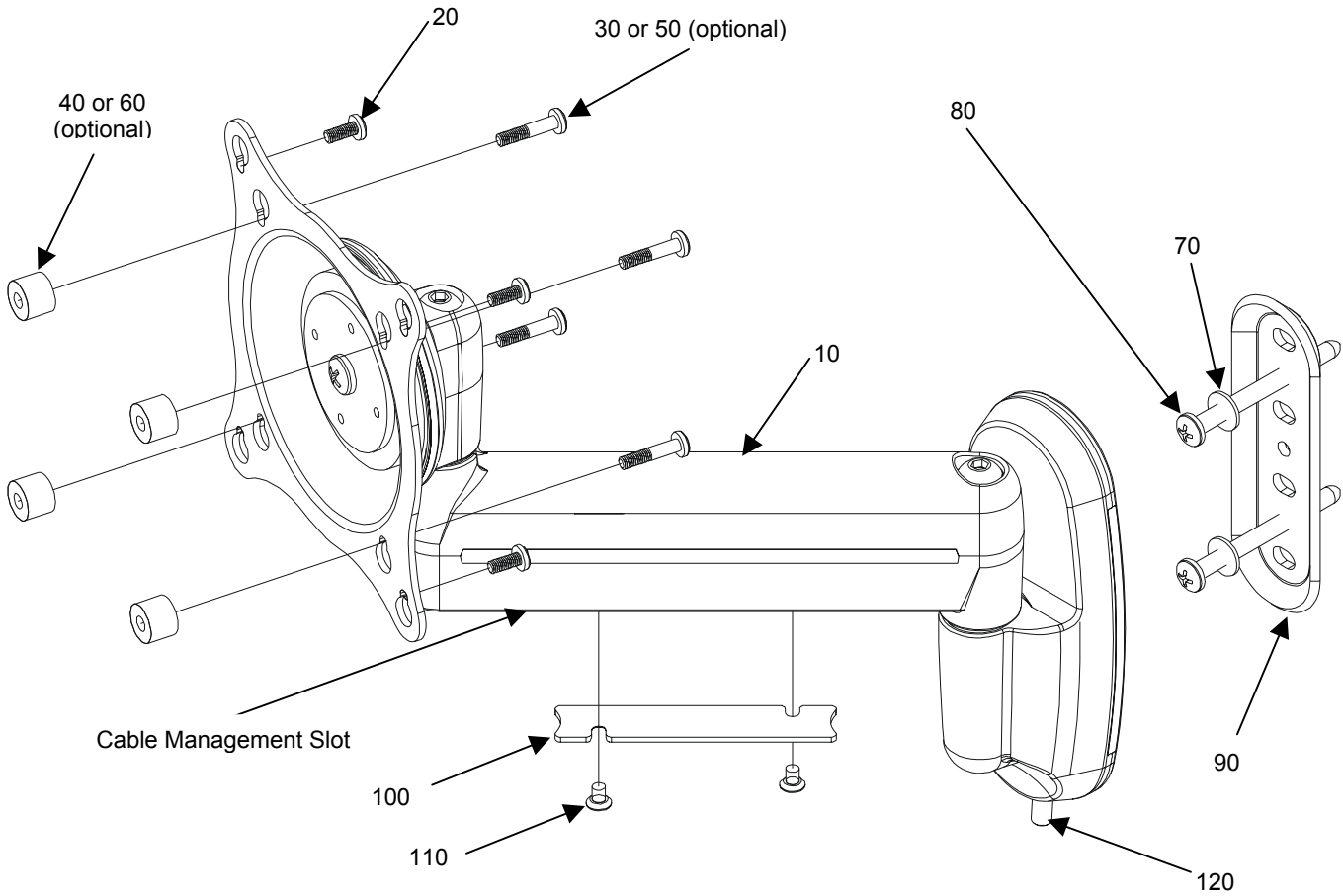


- WARNING** The maximum weight to be installed on the RFWS wall mount is 40 lbs. (18.1 kg).
- WARNING** The RFWS is designed to be installed using wall studs or supporting framework. The structure to which the RFWS wall mount is anchored must be capable of supporting **five times** the total weight of the mount and all attached equipment.
- CAUTION** To prevent damage to the RFWS, which could affect or void the Factory warranty, and to the equipment that will be attached to it, thoroughly study all instructions and illustrations before you begin the installation.
- CAUTION** If your monitor uses a longer screw size other than those included in the kit, **DO NOT** use the screws provided with the mount. Use the screws provided with your monitor or contact the manufacturer. Using the wrong screws could result in damage to your monitor.

If you have any questions about this installation, contact Chief Manufacturing at: 1.800.572.1373 or 952.277.3901.

# ASSEMBLY DIAGRAM

## LCD TV WALL MOUNT SINGLE Swing Arm (RFWS-110)



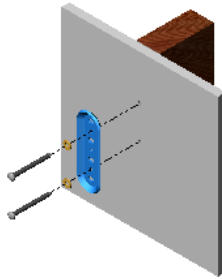
PART	PART NAME	QTY	NOTES
10	SINGLE SWING ARM	1	
20	SCREW, PHILLIPS PAN HEAD, M4 X 12MM	4	FLUSH MOUNT
30	SCREW, PHILLIPS PAN HEAD, M4 X 20MM (USE WITH 40) *	4	RECESSED MOUNT
40	3/8" SPACER	4	
50	SCREW, PHILLIPS PAN HEAD, M4 X 30MM (USE WITH 60) **	4	
60	3/4" SPACER	4	
70	WASHER	2	
80	SCREW, WOOD	2	
90	BRACKET, WALL	1	
100	PLATE, COVER, CABLE MANAGEMENT	1	
110	SCREW, COVER, CABLE MANAGEMENT	2	
120	SCREW, SET	1	

- \*Use M4 x 20mm screws (30) with spacers (40) for recessed applications.
- \*\*Use M4 x 30mm screws (50) with spacers (60) for recessed applications.

# INSTALLATION INSTRUCTIONS

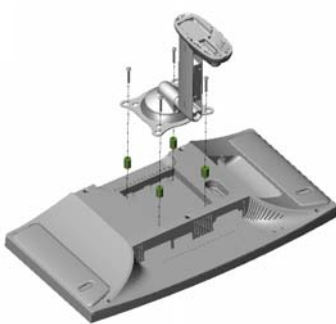
---

## Step 1



- A. Determine the exact mounting location prior to installation, considering screen size as well as the mount swing and extension radius.
- B. Use the wall bracket (90) as a template and drill two 3/32" pilot holes to a minimum depth of 1 1/2".
- C. Check wall bracket to ensure it is level and adjust to level if necessary.
- D. Use two wood screws (80) and two #10 washers (70) to secure the wall bracket (90).

## Step 2



### Flushed Mount or Recessed Mount

**NOTE:** This manual contains two sets of Installation Instructions, listed below. Choose the set of instructions that applies to the type of installation you want.

- Flush Mount Applications do not use spacers. The monitor is attached to the mount with four screws.
- Recessed Mount Applications use spacers. The monitor is attached to the mount with four screws and four spacers.

**CAUTION:** If monitor uses a screw size other than those included in the kit, DO NOT use the screws provided. Using the wrong screws could result in damage to your monitor.

### Flushed Mount

- A. Install two screws (20) in to the top mounting holes of your monitor.
- B. Align the hole-pattern of your display with the screws installed on the mount and hang the mount from the two screws.
- C. Install two remaining screws (20) through the mount and into the mounting holes of your display.

### Recessed Mount

**NOTE:** Use one of the following screw and spacer combinations: (30 with 40) or (50 with 60).

- A. Select four screws (30 or 50) for the Flush application.
- B. Select the four spacers (40 or 60) for the Flush application.
- C. Set four spacers (40 or 60) over the four mounting holes on your monitor.
- D. Install two screws (30 or 50) in to the top mounting holes of your monitor.
- E. Align the hole-pattern of your display with the screws installed on the mount and hang the mount from the two screws.
- F. Install two remaining screws (30 or 50) through the mount and into the mounting holes of your display.

# INSTALLATION INSTRUCTIONS (Continued)

---

## Step 3



- A. Place the top of the mount on top of the wall bracket (90) and push the bottom onto the wall bracket.
- B. Secure your display to the wall by tightening the set screw (120).

## Cable Connection

**CAUTION:** Make sure your cables do not run through a pinch point.

Connect and secure power/audio/video cables, making sure to leave sufficient slack to allow for movement of the display. Secure cables using cover plates (100) and two screws (110).

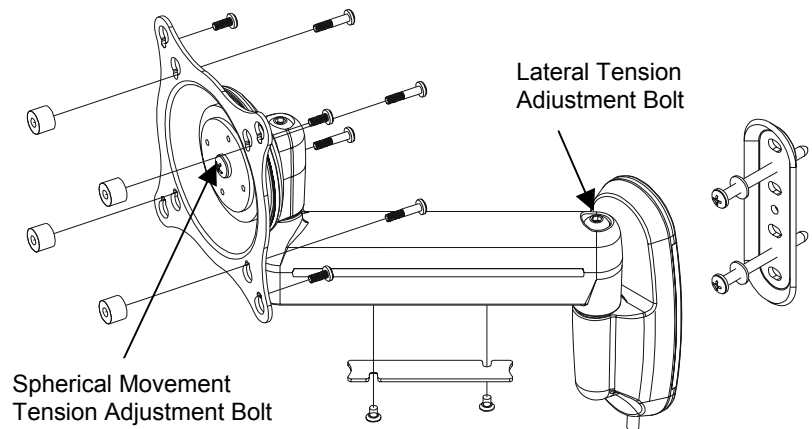
## TENSION ADJUSTMENTS

---

**CAUTION:** Over-tightening adjustment bolt will cause excessive wear and may distort adjustment components.

To adjust the tension of the spherical movement, the arm movement, and the lateral movement:

1. Slightly tighten or loosen the tension adjustment bolt indicated at the right.
2. Check for desired tension.
3. Repeat as necessary.



**THIS PAGE  
INTENTIONALLY  
LEFT BLANK**

